

P R E F A C E

1. This parts catalog is the 2nd edition of Yanmar crawler backhoe V1015(for Europe).

Pub. No. : 000Y00S3641

Published : Feb., 1998

2. Parts catalog history

	Parts catalog No.	Published	Remarks
1st edition	000Y00S3640	Mar., 1997	Scrap old edition
2nd edition	000Y00S3641	Feb., 1998	

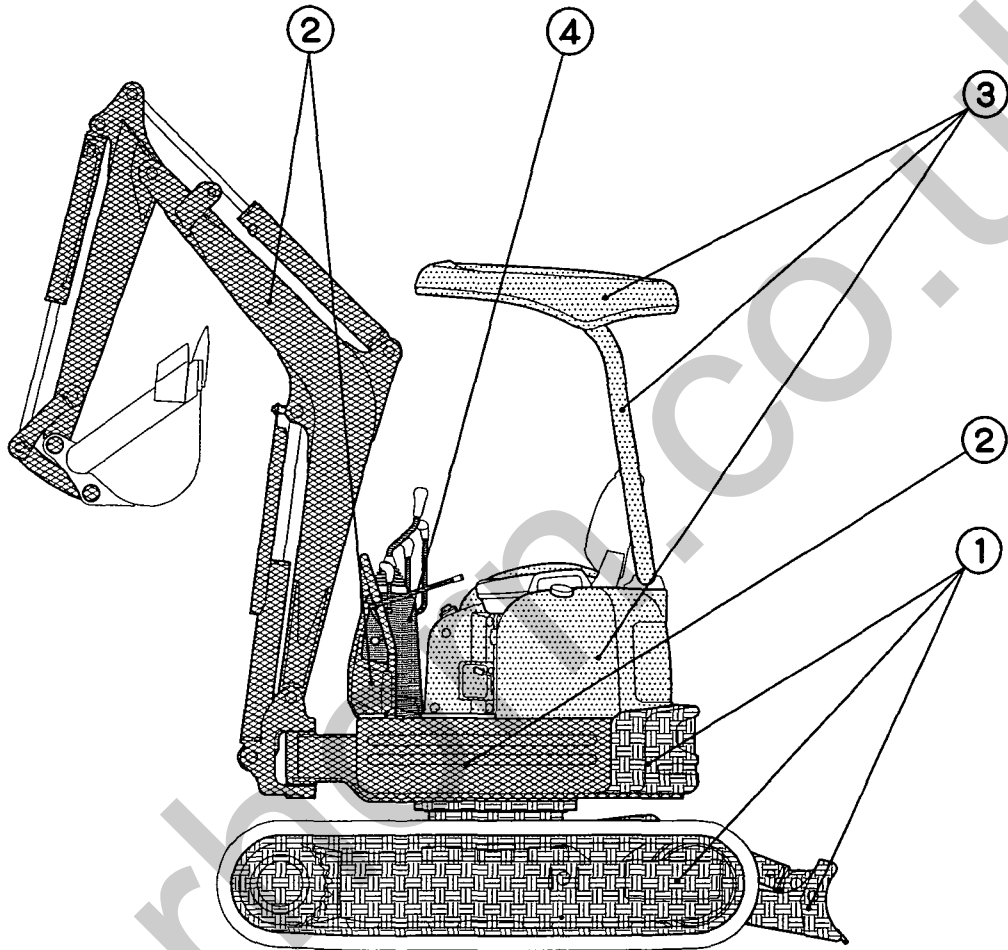
3. Model name


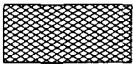
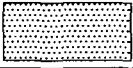

SECTION	Column	Model name	Manufactured	M/#
I (Vehicle)	(A)	V1015 (EP)	1997/ 2 ~	02205~
II (Engine)	(A)	3TNE68L - UBB		

4. Your understanding is asking that this parts catalog is not a technical data manual setting forth as servicing procedures, This parts catalog is using simplified illustration. Be sure to use Yanmar Genuine Parts in your maintenance servicing of Yanmar products. Be careful not to use the simple parts available in the market ; otherwise their use in repairing causes such as an early breakage, for instance.

1 [PAINTED COLOR LIST (1)]

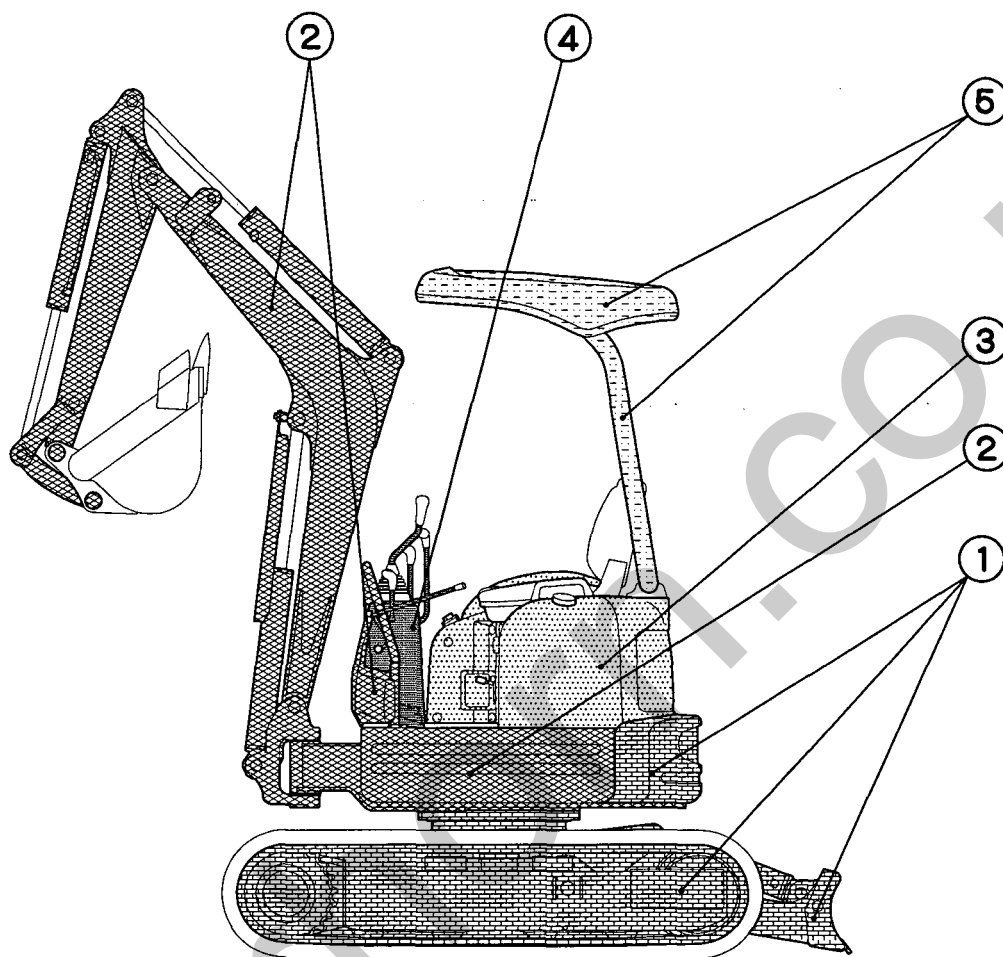
FROM 1ST ~ M/#02517

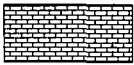
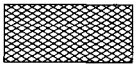
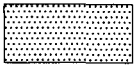

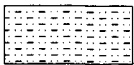


PART	DESCRIPTION	PAINTED COLOR MUNSEL No.	COLOR CODE
①		YANMAR OCEAN GREEN 7.62BG3/8.09	98
②		YANMAR PEACOCK GREEN 3.8BG5.31/9.15	97
③		YANMAR CITRUS GREEN 4.84GY8.42/6.99	96
④		YANMAR DARK OLIVE GRAY 5.39Y2.92/0.78	72

1 [PAINTED COLOR LIST (2)]

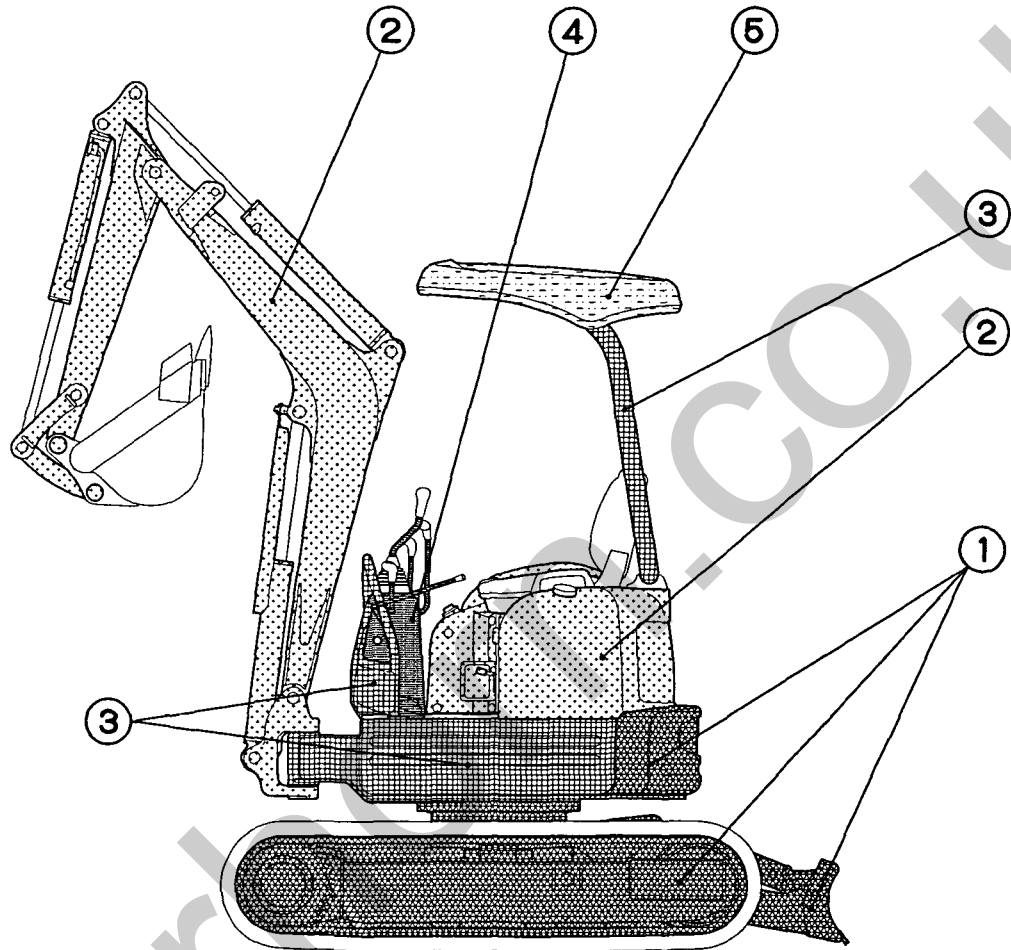
M/#02518 ~ M/#02636

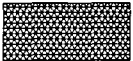

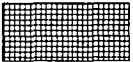




PART	DESCRIPTION	PAINTED COLOR MUNSEL No.	COLOR CODE
①		YANMAR NEW DEEP GREEN 0.6B2.2/4.2	88
②		YANMAR PEACOCK GREEN 3.8BG5.31/9.15	97
③		YANMAR CITRUS GREEN 4.84GY8.42/6.99	96
④		YANMAR DARK OLIVE GRAY 5.39Y2.92/0.78	72
⑤		NATURAL WHITE 1.38GY7.15/0.48	15

1 [PAINTED COLOR LIST (3)]

M/#02637 ~



PART	DESCRIPTION	PAINTED COLOR MUNSEL No.	COLOR CODE
①		YANMAR DEEP GREEN 6.36BG2.11/1.76	82
②		YANMAR NEW PERMANENT YELLOW 5.2Y8.5/11	87
③		YANMAR NEW GRAYISH GREEN 2.9BG4.8/3.0	86
④		YANMAR DARK OLIVE GRAY 5.39Y2.92/0.78	72
⑤		NATURAL WHITE 1.38GY7.15/0.48	15

2 [PAINT PART No.]

PART	PAINTED COLOR	PAINT PART No.		
		160CAN	40CAN	SPRAY
①	YANMAR OCEAN GREEN	981101-09598	977620-40980	977620-30981
	YANMAR NEW DEEP GREEN	981101-09588	977620-40880	977620-30881
	YANMAR DEEP GREEN	981101-09517	977620-40820	977620-30N31
②	YANMAR PEACOCK GREEN	981101-09597	977620-40970	977620-30971
	YANMAR NEW PERMANENT YELLOW	981101-09519	977620-40870	977620-30871
③	YANMAR CITRUS GREEN	981101-09599	977620-40990	977620-30991
	YANMAR NEW GRAYISH GREEN	981101-09616	977620-40860	977620-30861
④	YANMAR DARK OLIVE GRAY	-----	977620-40720	TOR-90460003
⑤	NATURAL WHITE	-----	-----	977620-30301

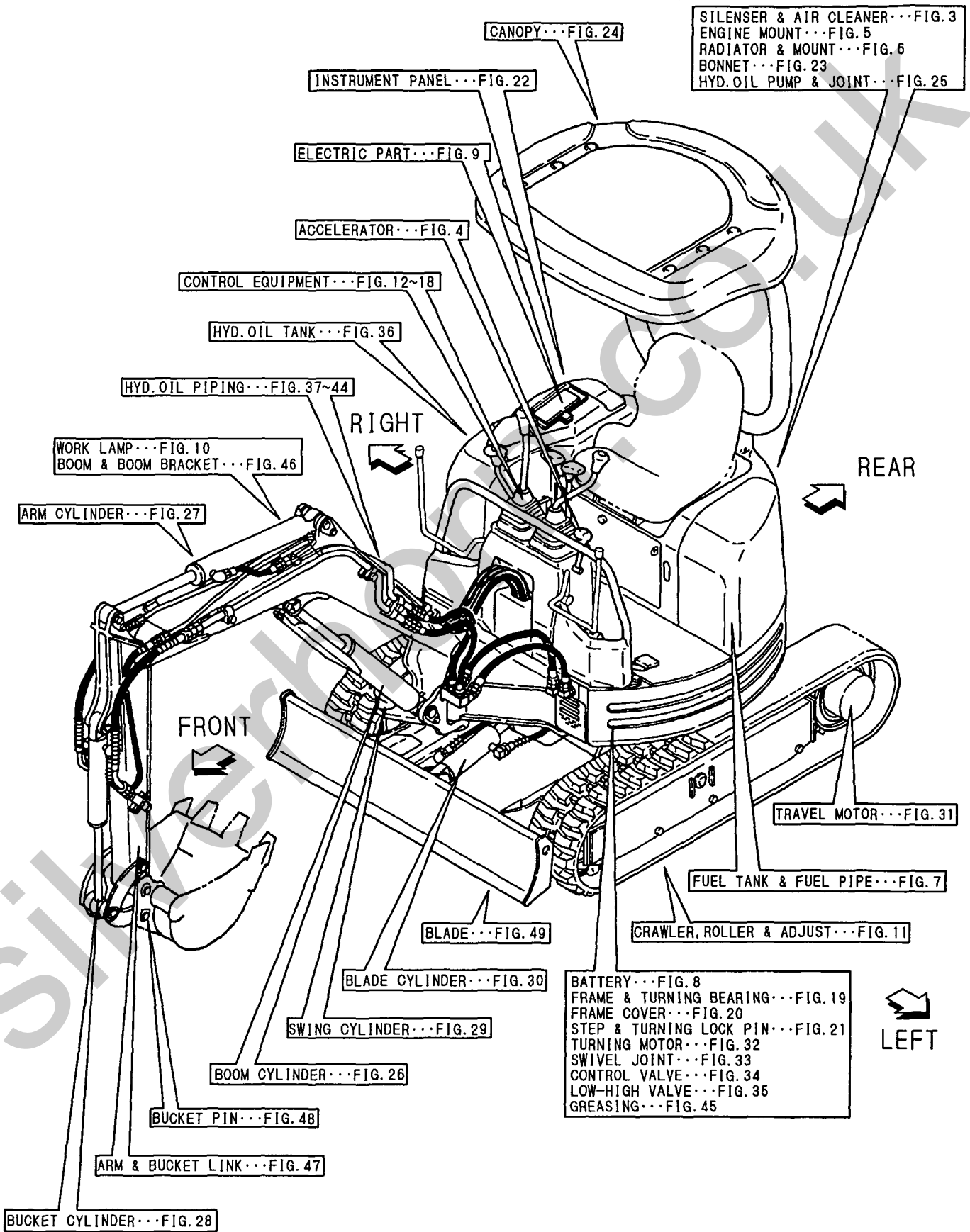
3 [EXPRESSION OF PAINTED PARTS]

PART NO.		PART NAME	PAINTED COLOR
172137-17401	-4	COVER, WORK LAMP (GREEN:97)	YANMAR PEACOCK GREEN

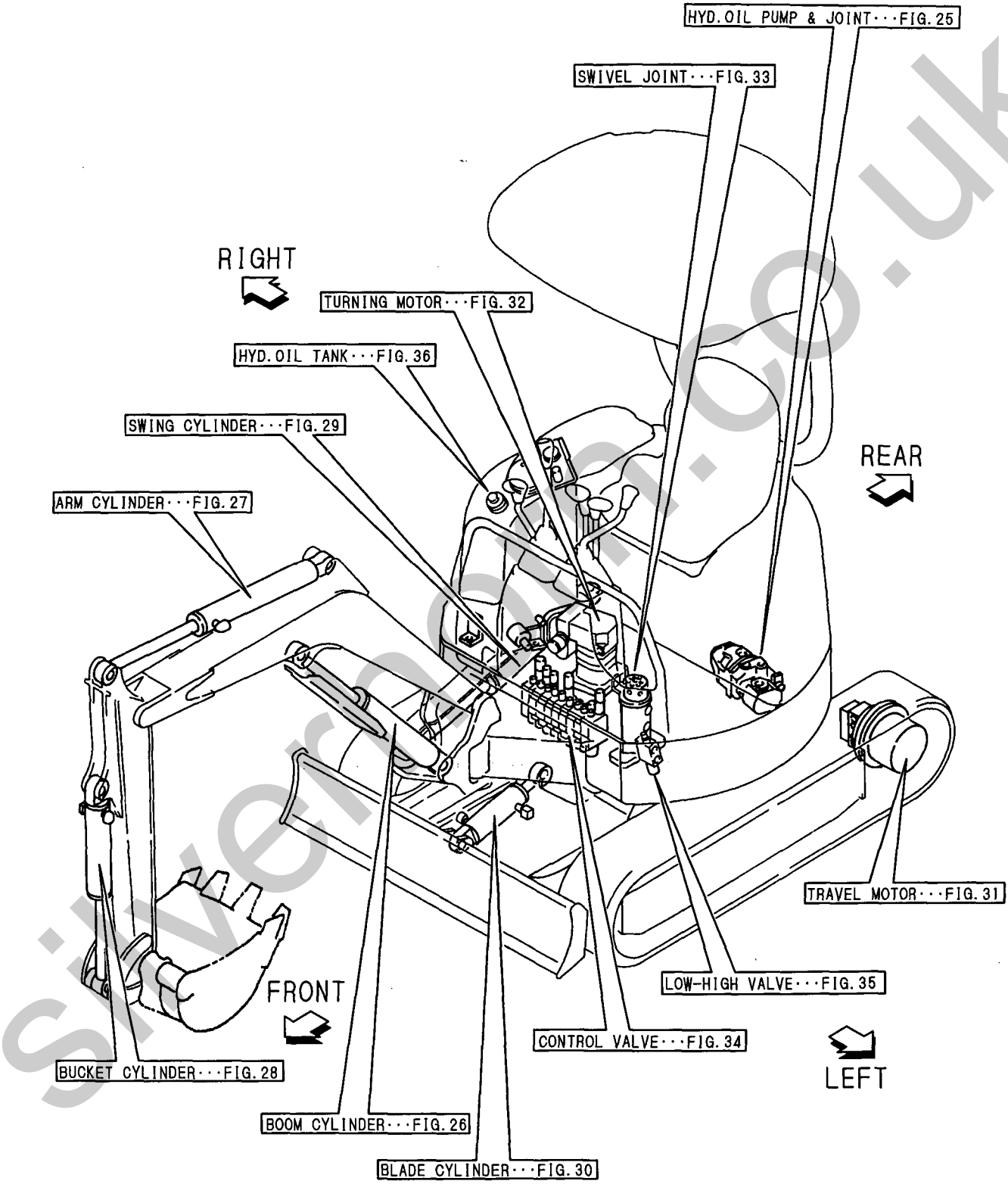
(NOTE) () at the end of part name shows Paint Color.

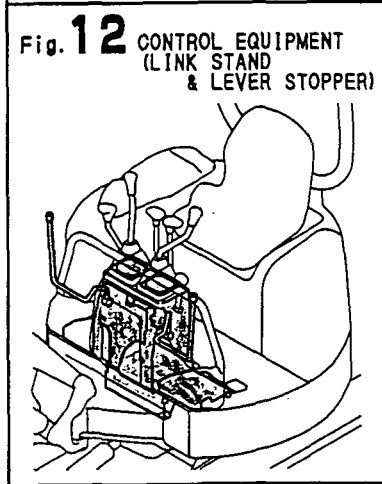
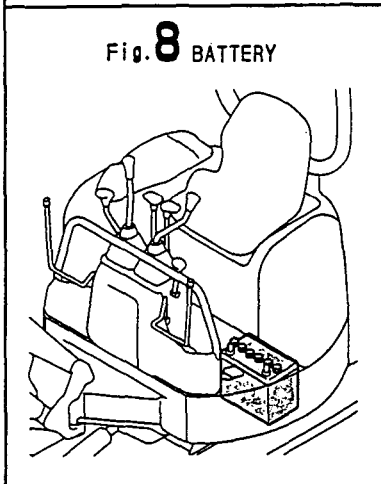
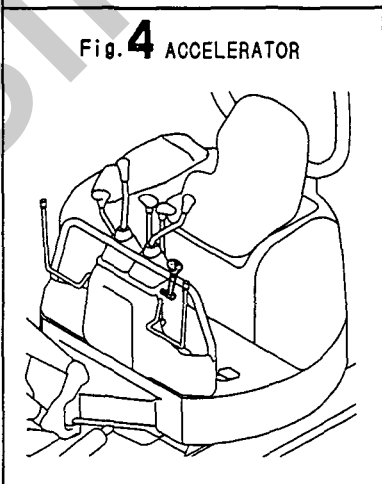
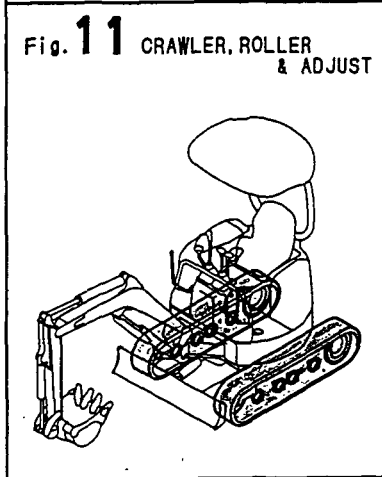
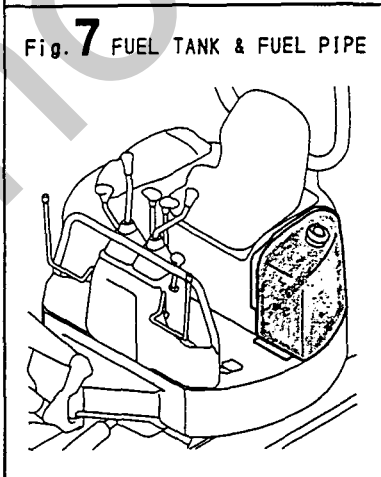
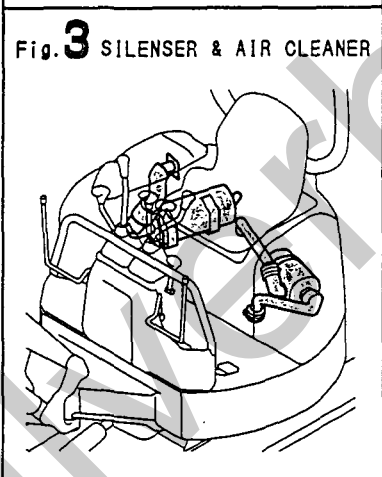
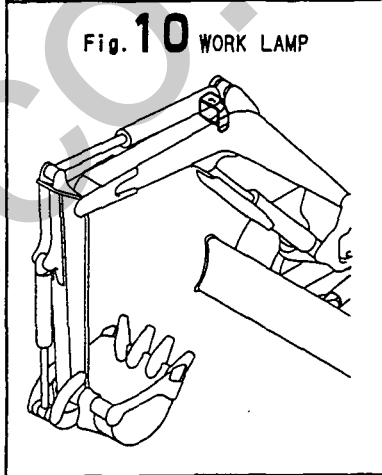
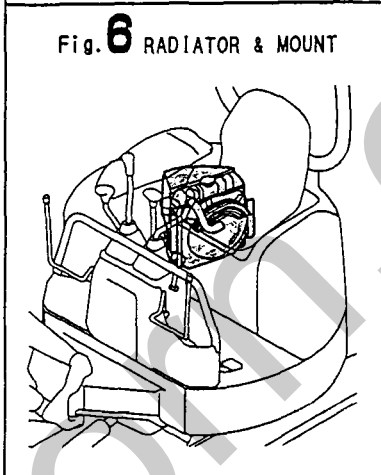
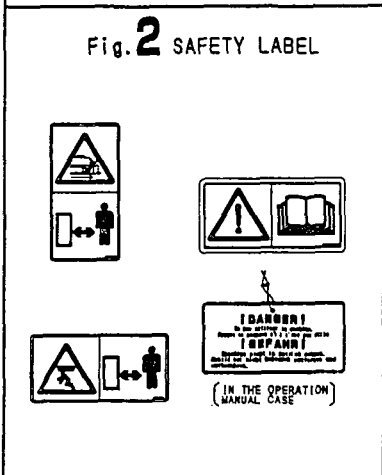
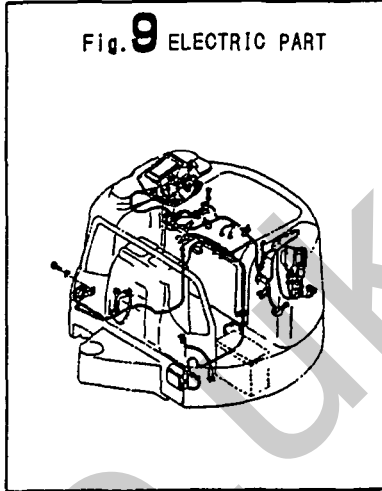
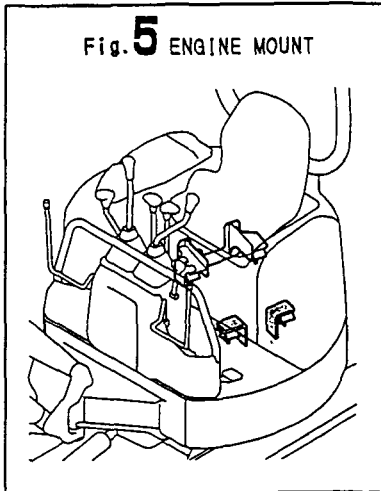
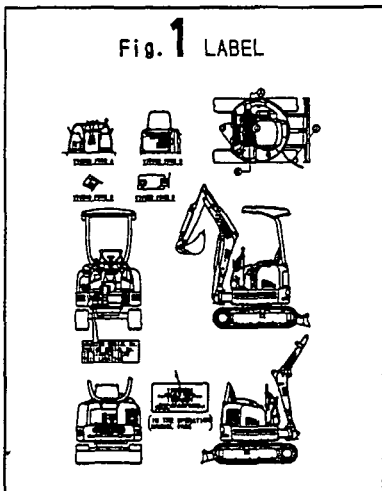
PICTURESQUE INDEX (1) . . . MAIN PARTS

LABEL . . . FIG. 1
SAFETY LABEL . . . FIG. 2



PICTURESQUE INDEX (2) ···HYDRAULIC SECTION





PICTURESQUE INDEX (3) FIGURE

Fig. 13 CONTROL EQUIPMENT
(BOOM & BUCKET)

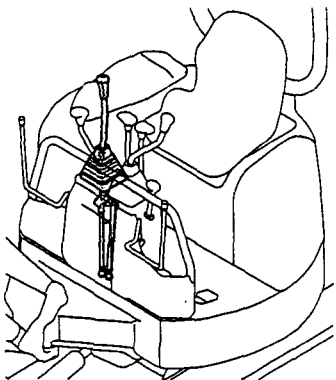


Fig. 17 CONTROL EQUIPMENT
(LOW-HIGH PEDAL)

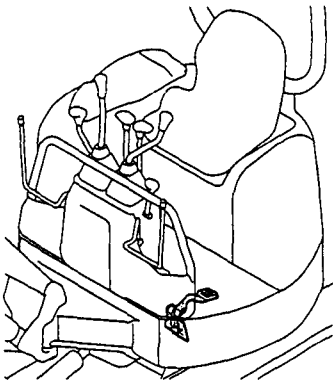


Fig. 21 STEP
& TURNING LOCK PIN

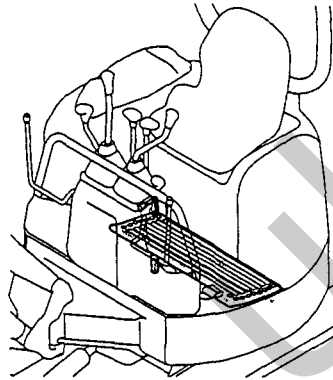


Fig. 14 CONTROL EQUIPMENT
(ARM & TURNING)

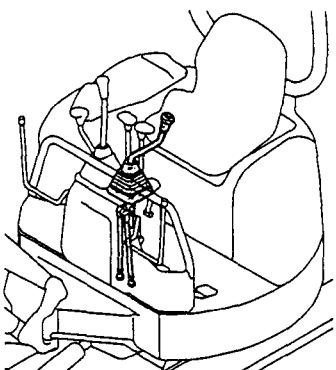


Fig. 18 CONTROL EQUIPMENT
(P. T. O. CONTROL)

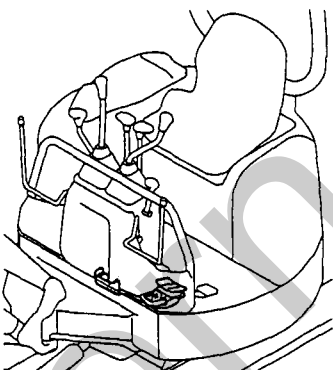


Fig. 22 INSTRUMENT PANEL

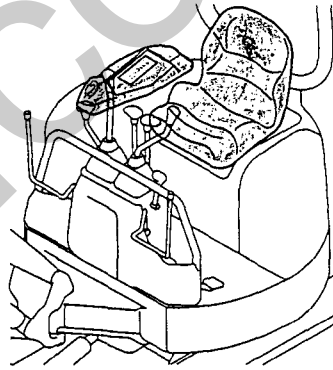


Fig. 15 CONTROL EQUIPMENT
(DRIVING & BLADE)

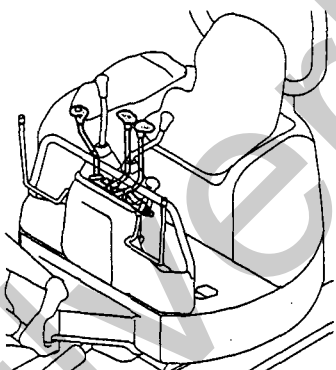


Fig. 19 FRAME
& TURNING BEARING

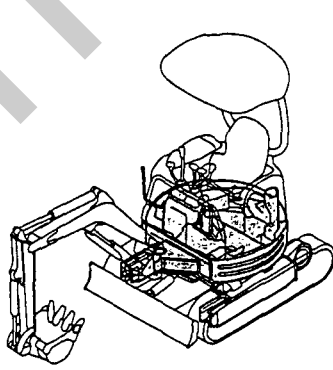


Fig. 23 BONNET

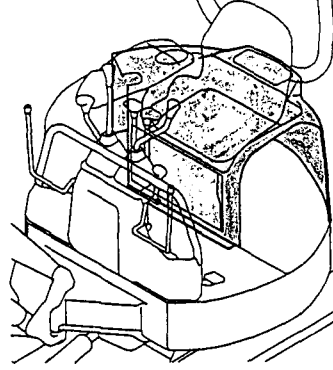


Fig. 16 CONTROL EQUIPMENT
(SWING)

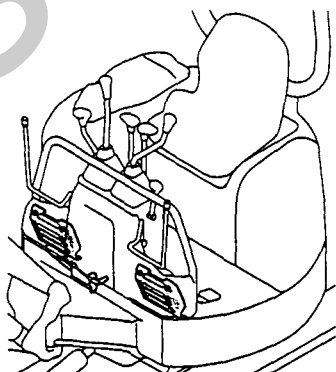


Fig. 20 FRAME COVER

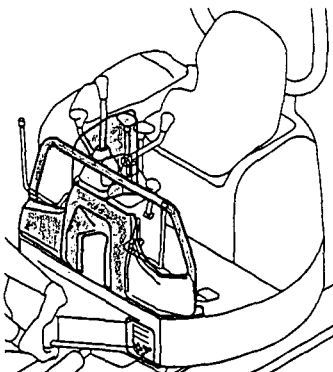


Fig. 24 CANOPY

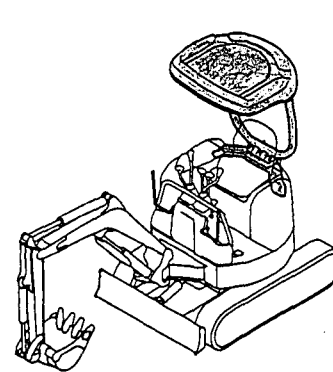


Fig. 25 HYD.OIL PUMP & JOINT

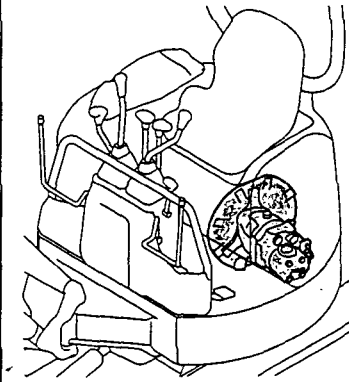


Fig. 26 BOOM CYLINDER

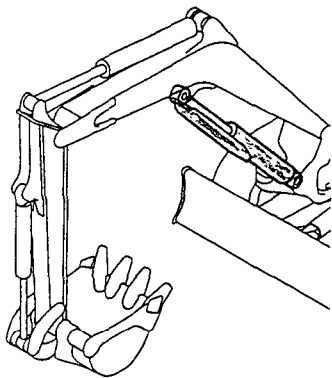


Fig. 27 ARM CYLINDER

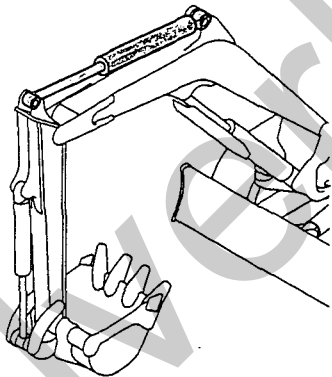


Fig. 28 BUCKET CYLINDER

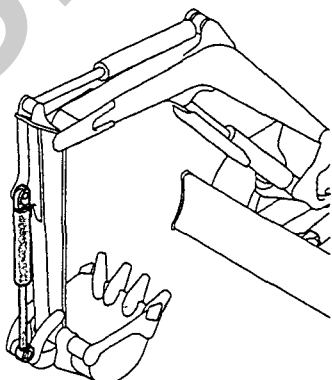


Fig. 29 SWING CYLINDER

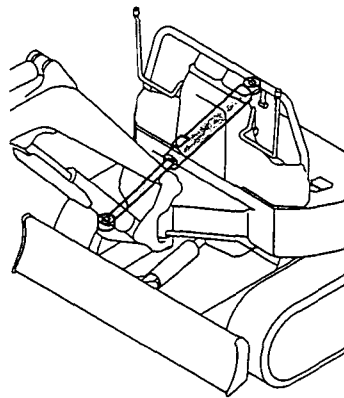


Fig. 30 BLADE CYLINDER

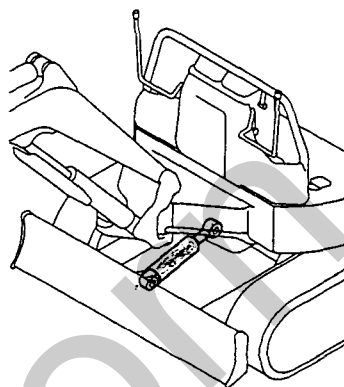


Fig. 31 TRAVEL MOTOR

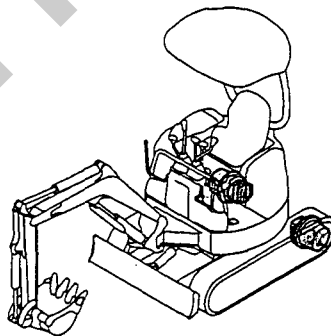


Fig. 32 TURNING MOTOR

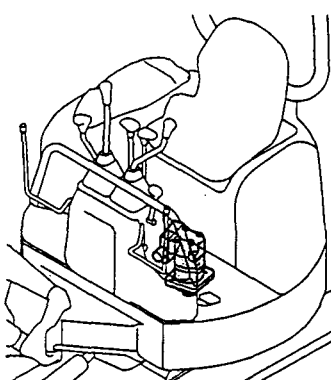


Fig. 33 SWIVEL JOINT

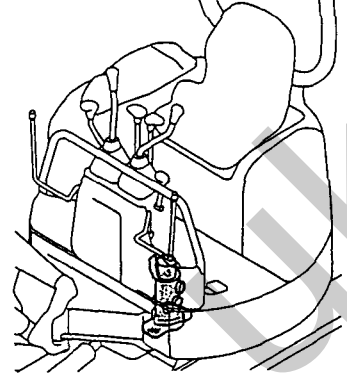


Fig. 34 CONTROL VALVE

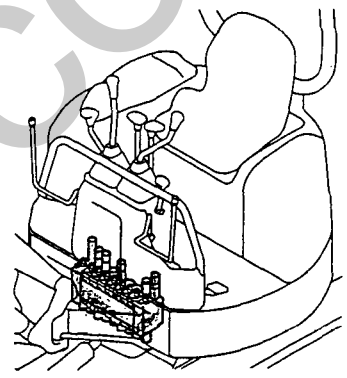


Fig. 35 LOW-HIGH VALVE

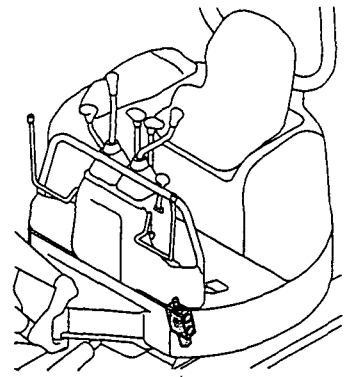


Fig. 36 HYD.OIL TANK

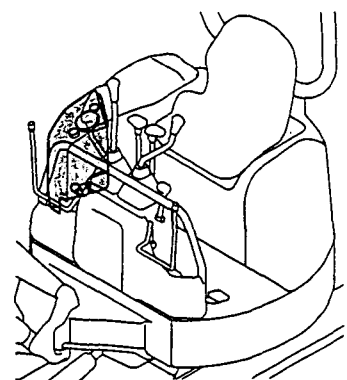


Fig. 37 HYD. OIL PIPING
(TANK ~ PUMP ~ VALVE)

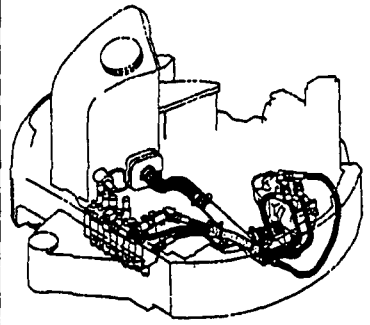


Fig. 41 HYD. OIL PIPING
(P. T. O. VALVE
~ BOOM BRACKET)

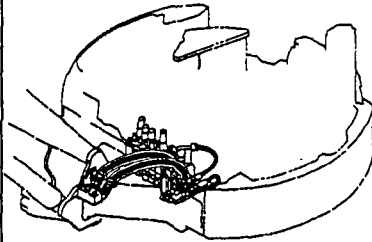


Fig. 45 GREASING

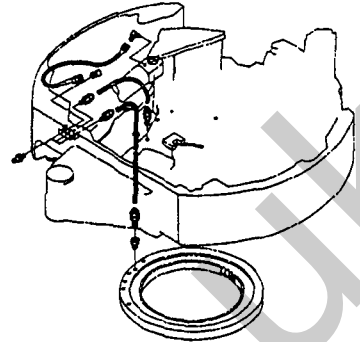


Fig. 38 HYD. OIL PIPING
(VALVE ~ MOTOR, BOOM)

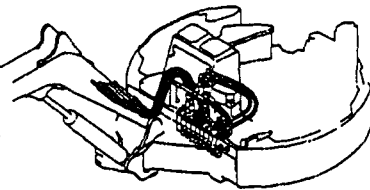


Fig. 42 HYD. OIL PIPING
(TRAVEL)

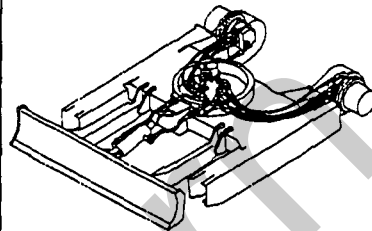


Fig. 46 BOOM & BOOM BRACKET

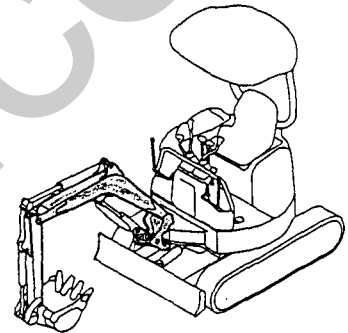


Fig. 39 HYD. OIL PIPING
(VALVE
~ SWIVEL, SWING)

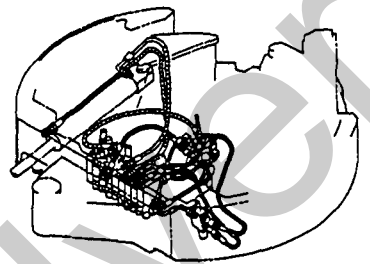


Fig. 43 HYD. OIL PIPING (BOOM)

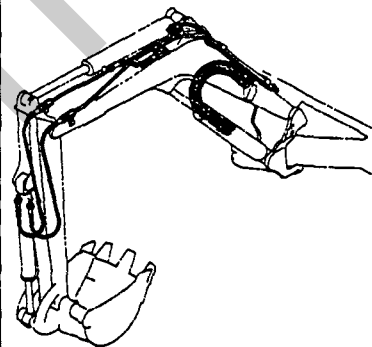


Fig. 47 ARM & BUCKET LINK

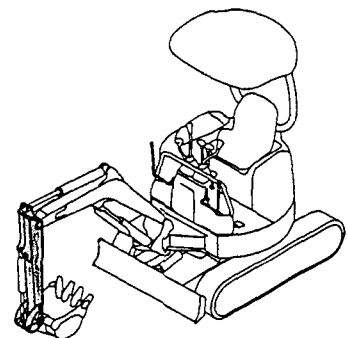


Fig. 40 HYD. OIL PIPING
(RETURN)

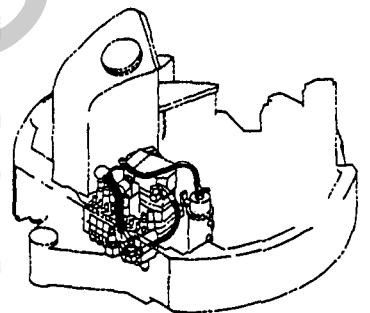


Fig. 44 HYD. OIL PIPING
(P. T. O. ARM END)

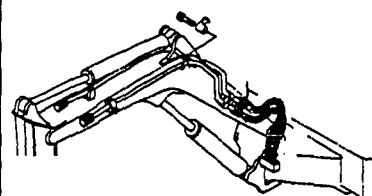
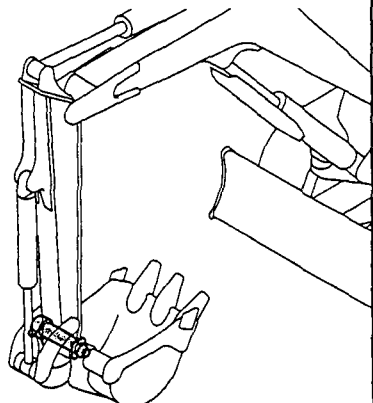
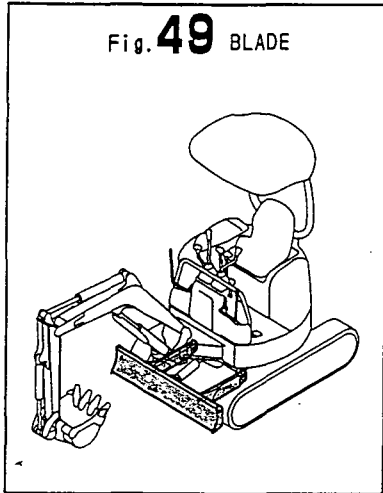


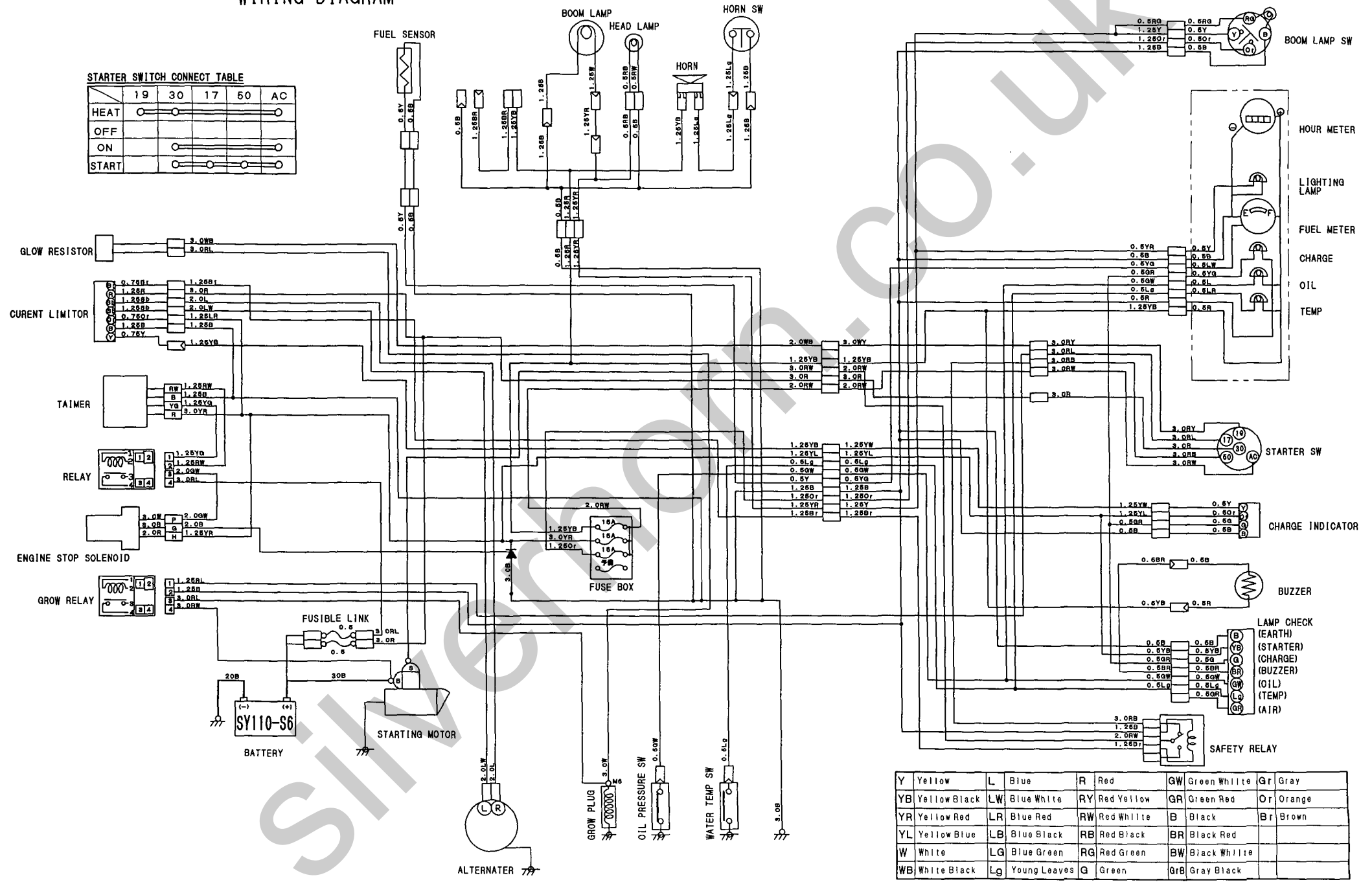
Fig. 48 BUCKET PIN





Silverhorn.CO.UK

WIRING DIAGRAM



STARTER SWITCH CONNECT TABLE

	19	30	17	50	AC
HEAT	○	○	○	○	○
OFF					
ON	○	○	○	○	○
START	○	○	○	○	○

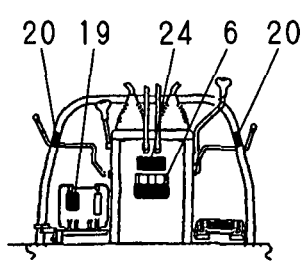
Y	Yellow	L	Blue	R	Red	GW	Green White	Gr	Gray
YB	Yellow Black	LW	Blue White	RY	Red Yellow	GR	Green Red	Or	Orange
YR	Yellow Red	LR	Blue Red	RW	Red White	B	Black	Br	Brown
YL	Yellow Blue	LB	Blue Black	RB	Red Black	BR	Black Red		
W	White	LG	Blue Green	RQ	Red Green	BW	Black White		
WB	White Black	Lg	Young Leaves	G	Green	GrB	Gray Black		

1,1,,772183-03200,, "LABEL SET.(F,G)" ,1,,,,,,,,,,,,,,,,,,,,,
2,2,,172183-03580,, "LABEL,SMALL(F,G)" ,1,,,,,,,,,,,,,,,,,,,,,
3,2,,172183-03520,, "LABEL,FEED WATER(F,G)" ,1,,,,,,,,,,,,,,,,,,,,,
3-1,2,,172183-03521,, "LABEL,OIL & WATER
FG" ,1,,,,,,N,,72438001,M/#02556,,,,,,,,,,,,,,,,,,,,,I
4,2,,172183-03590,, "LABEL,GREASE LUBRCT." ,1,,,,,,,,,,,,,,,,,,,,,
5,2,,172183-03530,, "LABEL,ADJUST CRAWLER" ,1,,,,,,,,,,,,,,,,,,,,,
6,2,,172183-03150,, "LABEL,CONTROL" ,1,,,,,,,,,,,,,,,,,,,,,
7,2,,172183-03201,, "LABEL,VIO15" ,2,,,,,,,,,,,,,,,,,,,,,
8,2,,172147-03210,, LABEL,1,,,,,,,,,,,,,,,,,,,,,
9,2,,172183-03210,, LABEL,1,,,,,,,,,,,,,,,,,,,,,
9-1,2,,172438-03220,, "LABEL,NO1" ,1,,,,,,S,,72438003,M/#02176,,,,,,,,,,,,,I
10,2,,172165-03440,, "LABEL, GREASE" ,1,,,,,,,,,,,,,,,,,,,,,
11,2,,172183-03221,, "EMBLEM, REAR" ,1,,,,,,,,,,,,,,,,,,,,,
12,2,,172187-03560,, "LABEL,FUEL(F,G)" ,1,,,,,,,,,,,,,,,,,,,,,
13,2,,172137-03301,, "LABEL, TURNING LOCK" ,1,,,,,,,,,,,,,,,,,,,,,
14,2,,172183-03300,, "LABEL,FRONT COVER" ,1,,,,,,,,,,,,,,,,,,,,,
15,2,,172187-03550,, "LABEL,OILING(F,G)" ,1,,,,,,,,,,,,,,,,,,,,,
16,2,,172183-03480,, "LABEL, INSTRMNT.PANEL" ,1,,,,,,,,,,,,,,,,,,,,,
17,2,,172183-03610,, "LABEL A(BOOM AYR" ,2,,,,,,,,,,,,,,,,,,,,,
18,2,,933112-55700,, "LABEL, SUB-TANK" ,1,,,,,,,,,,,,,,,,,,,,,
19,2,,172165-03231,, "LABEL, P.T.O." ,1,,,,,,,,,,,,,,,,,,,,,
20,2,,172183-03280,, "LABEL, LOCK" ,2,,,,,,,,,,,,,,,,,,,,,
21,2,,172183-03550,, "LABEL(F,G)" ,1,,,,,,,,,,,,,,,,,,,,,
22,2,,172171-03420,, "CAUTION PLATE ASSY" ,1,,,,,,,,,,,,,,,,,,,,,
23,1,,172194-03100,, LABEL,1,,,,,,,,,,,,,,,,,,,,,
24,1,,172187-03610,, LABEL,1,,,,,,,,,,,,,,,,,,,,,
25,1,,172194-03110,, LABEL,2,,,,,,,,,,,,,,,,,,,,,

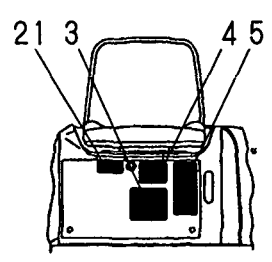


Fig. 1 LABEL

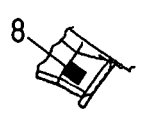
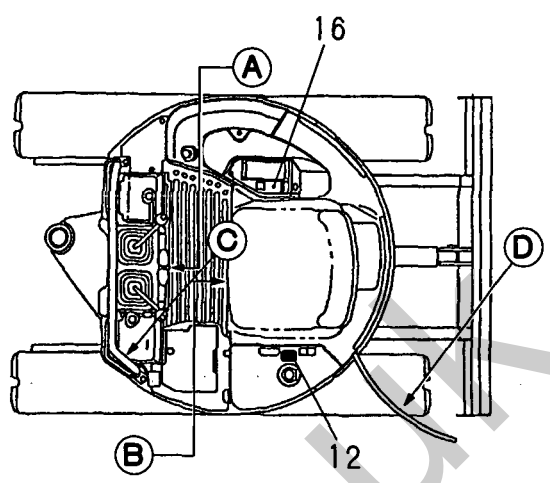
1 inc. 2 ~ 22



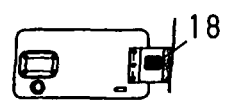
VIEWED FROM A



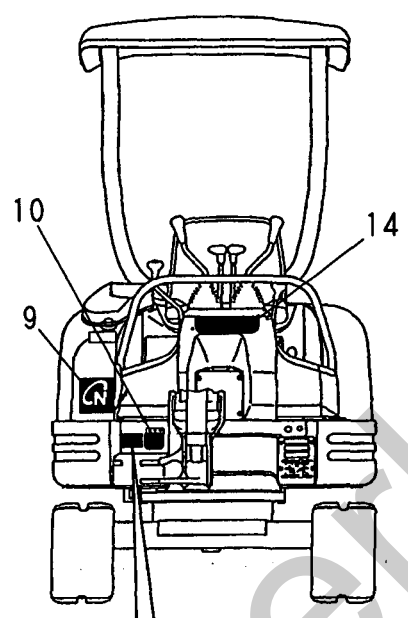
VIEWED FROM B



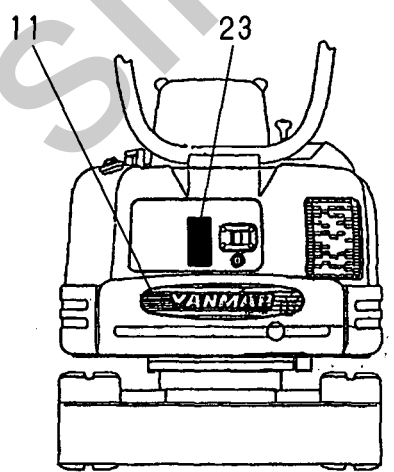
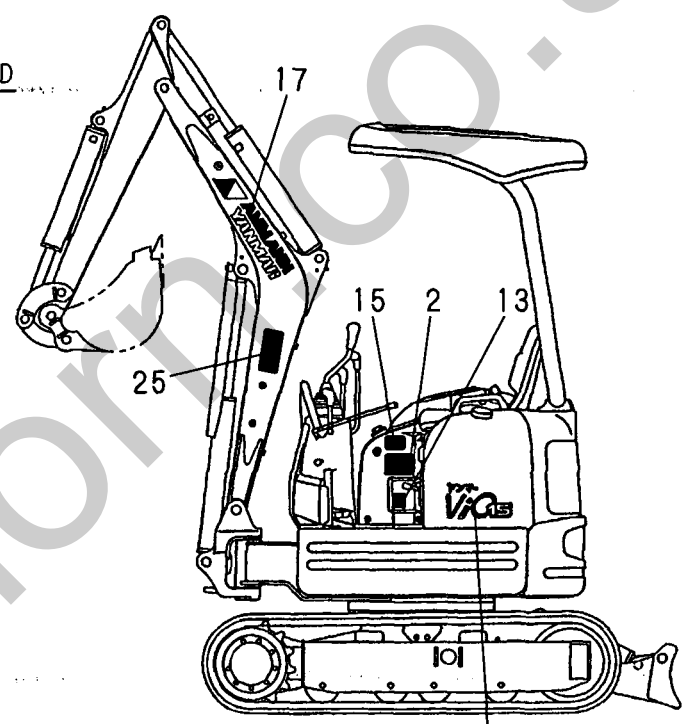
VIEWED FROM C



VIEWED FROM D

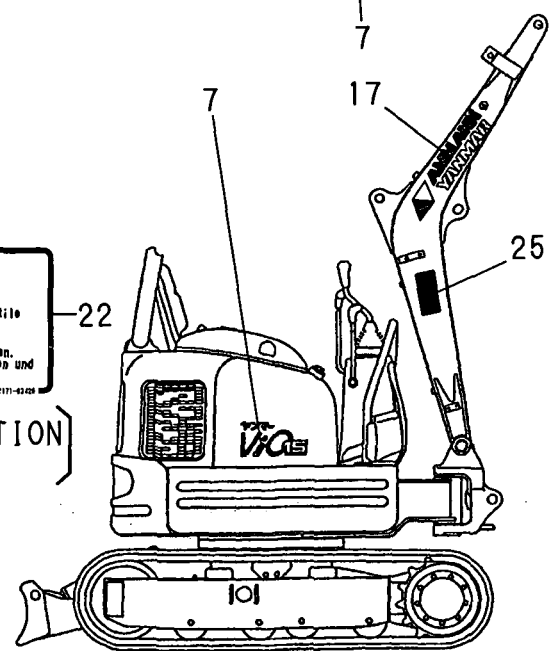


MACHINE SERIAL No.
ENGINE SERIAL No.
IS STAMPED INTO
THIS LOCATION



! DANGER !
No one utilize in machine.
Ranger ce panneau n'y a'ost pas utile
! GEFAHR !
Maschine nicht in Betrieb nehmen.
Schild bei nicht Gebrauch entfernen und
aufbewahren.

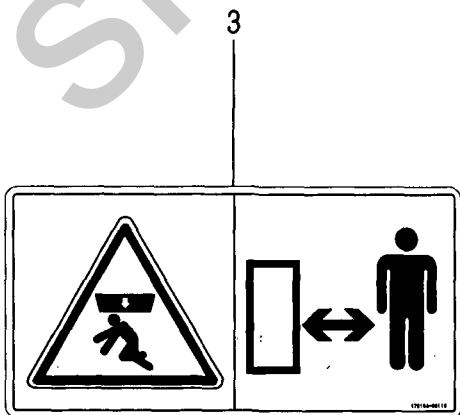
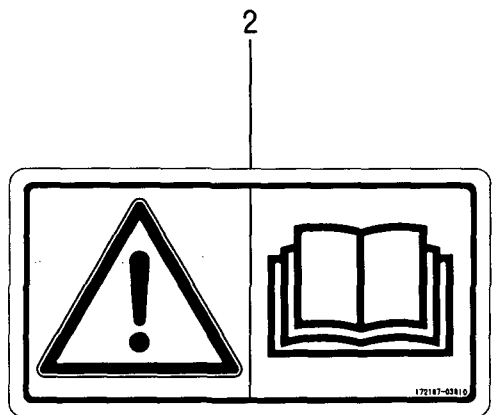
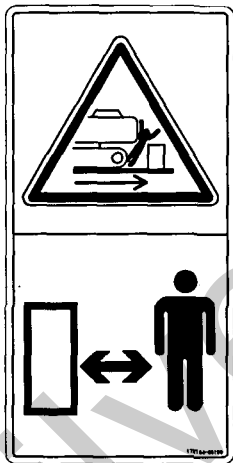
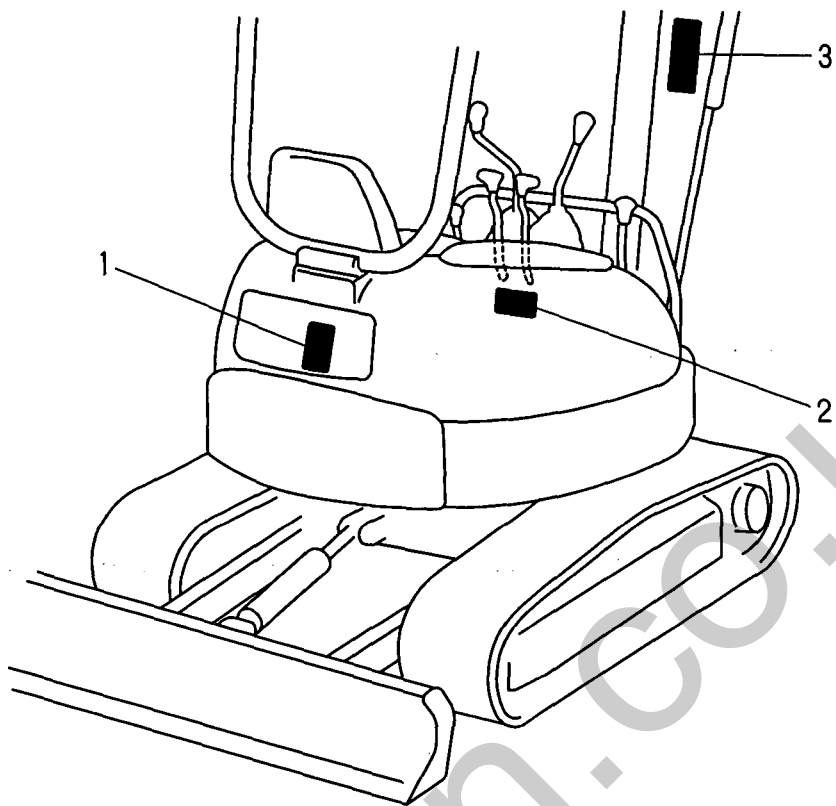
(IN THE OPERATION
MANUAL CASE)



1,1,,172194-03100,,LABEL,1,,,,,,,,,,,,,
2,1,,172187-03610,,LABEL,1,,,,,,,,,,,,,
3,1,,172194-03110,,LABEL,2,,,,,,,,,,,,,
4,1,,172171-03420,, "CAUTION PLATE ASSY",1,,,,,,,,,,,,,

Silverhorn.CO.UK

Fig. 2 SAFETY LABEL

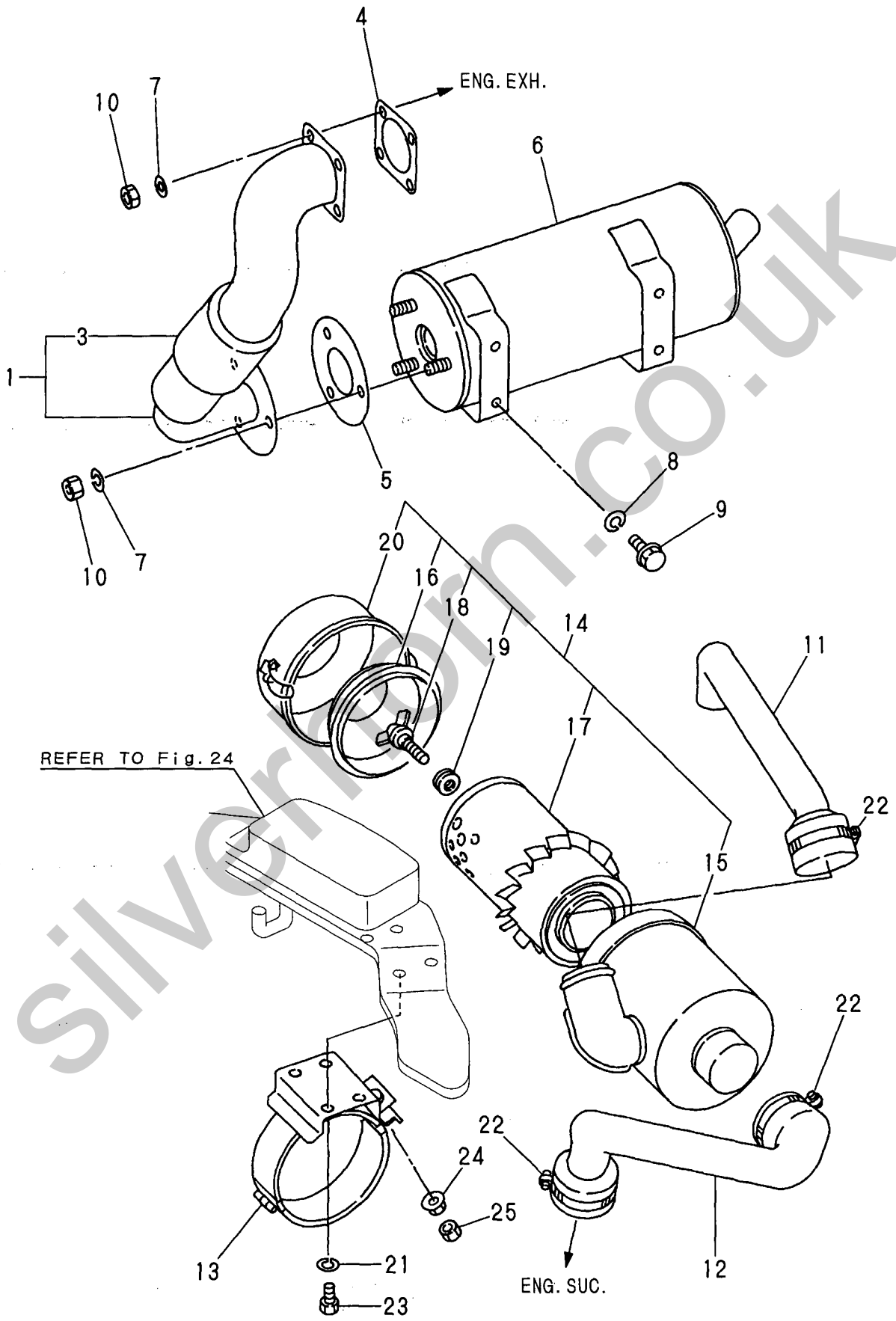


(IN THE OPERATION
 MANUAL CASE)

1,1,,172183-11300,, "TUBE ASSY.,EXHAUST",1,,,,,,,,,,,,,
3,2,,172183-11400,, "INSULANT,THERMAL",1,,,,,,,,,,,,,
4,1,,124701-11911,, "GASKET, (NON-ASB.)",1,,,,,,,,,,,,,
5,1,,103954-13201,, "GASKET, SILENCER",1,,,,,,,,,,,,,
6,1,,119233-13521,, SILENCER,1,,,,,,,,,,,,,
7,1,,22217-080000,, "SPRING WASHER 8",7,,,,,,,,,,,,,
8,1,,22217-100000,, "SPRING WASHER 10",4,,,,,,,,,,,,,
9,1,,26116-100202,, "BOLT M10X 20 PLATED",4,,,,,,,,,,,,,
10,1,,26716-080002,, "NUT M 8",7,,,,,,,,,,,,,
11,1,,172183-11600,, "HOSE A,AIR CLEANER",1,,,,,,,,,,,,,
12,1,,172183-11610,, "HOSE B,AIR CLEANER",1,,,,,,,,,,,,,
13,1,,172183-11620,, "SUPPORT CMP.,CLEANER",1,,,,,,,,,,,,,
14,1,,119233-12500,, "CLEANER, AIR",1,,,,,,,,,,,,,
15,2,,119233-12560,, "CASE ASSY",1,,,,,,,,,,,,,
16,2,,121465-12700,, RETAINER,1,,,,,,,,,,,,,
17,2,,121465-12510,, "ELEMENT, AIR CLEANER",1,,,,,,,,,,,,,
18,2,,124064-12680,, "BOLT, WING",1,,,,,,,,,,,,,
19,2,,124064-12690,, WASHER,1,,,,,,,,,,,,,
20,2,,119233-12570,, "DUST PAN",1,,,,,,,,,,,,,
21,1,,22217-080000,, "SPRING WASHER 8",4,,,,,,,,,,,,,
22,1,,23000-060000,, "CLAMP 60",3,,,,,,,,,,,,,
23,1,,26116-080162,, "BOLT 8X16",4,,,,,,,,,,,,,
24,1,,26366-080002,, "NUT M 8",1,,,,,,,,,,,,,
25,1,,26716-080002,, "NUT M 8",1,,,,,,,,,,,,,

Silverhorn.CO.UK

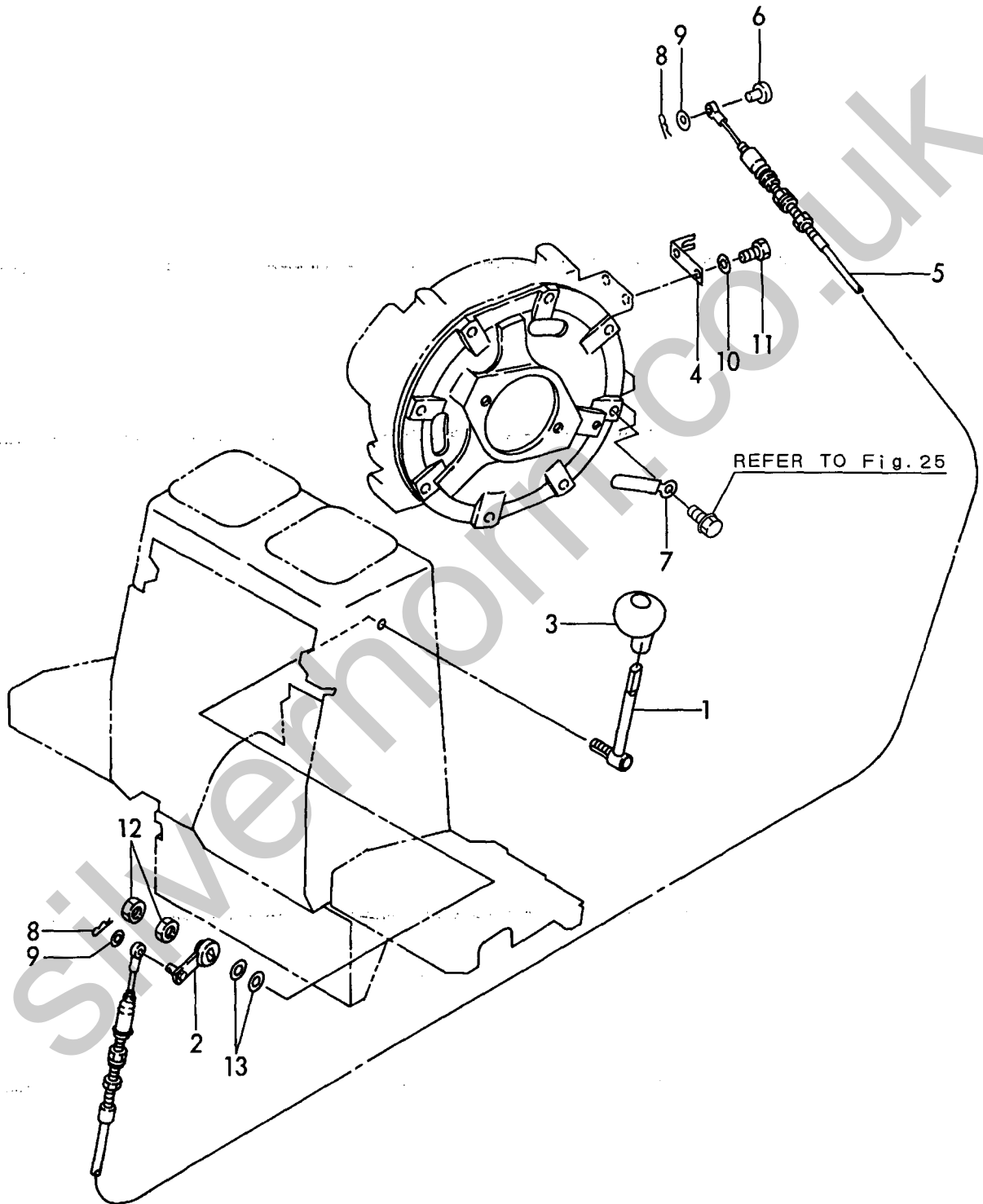
Fig. 3 SILENSER & AIR CLEANER



1,1,,172183-12100,, "LEVER COMP.,ACCEL.",1,,,,,,,,,,,,,,,,,,,,,
2,1,,172183-12130,, "ARM COMP,ACCELERATOR",1,,,,,,,,,,,,,,,,,,,,,
3,1,,172146-12150,, "GRIP,ACCELERATOR",1,,,,,,,,,,,,,,,,,,,,,
4,1,,172183-12180,, "BRACKET COMP.,ACCEL.",1,,,,,,,,,,,,,,,,,,,,,
5,1,,172183-12200,, "CABLE,ACCELERATOR",1,,,,,,,,,,,,,,,,,,,,,
6,1,,172113-12521,, "PIN, CABLE",1,,,,,,,,,,,,,,,,,,,,,
7,1,,172126-16540,, "CLAMP 10X70",1,,,,,,,,,,,,,,,,,,,,,
8,1,,1C6281-52310,, "PIN 6,COME-OFF SNAP",2,,,,,,,,,,,,,,,,,,,,,
9,1,,22137-060000,, "WASHER 6, POLISHED",2,,,,,,,,,,,,,,,,,,,,,
10,1,,22217-080000,, "SPRING WASHER 8",2,,,,,,,,,,,,,,,,,,,,,
11,1,,26116-080202,, "BOLT M 8X 20 PLATED",2,,,,,,,,,,,,,,,,,,,,,
12,1,,26756-120002,, "LOCK NUT 12",2,,,,,,,,,,,,,,,,,,,,,
13,1,,933170-01490,, "SPRING 12",2,,,,,,,,,,,,,,,,,,,,,

Silverhorn.CO.UK

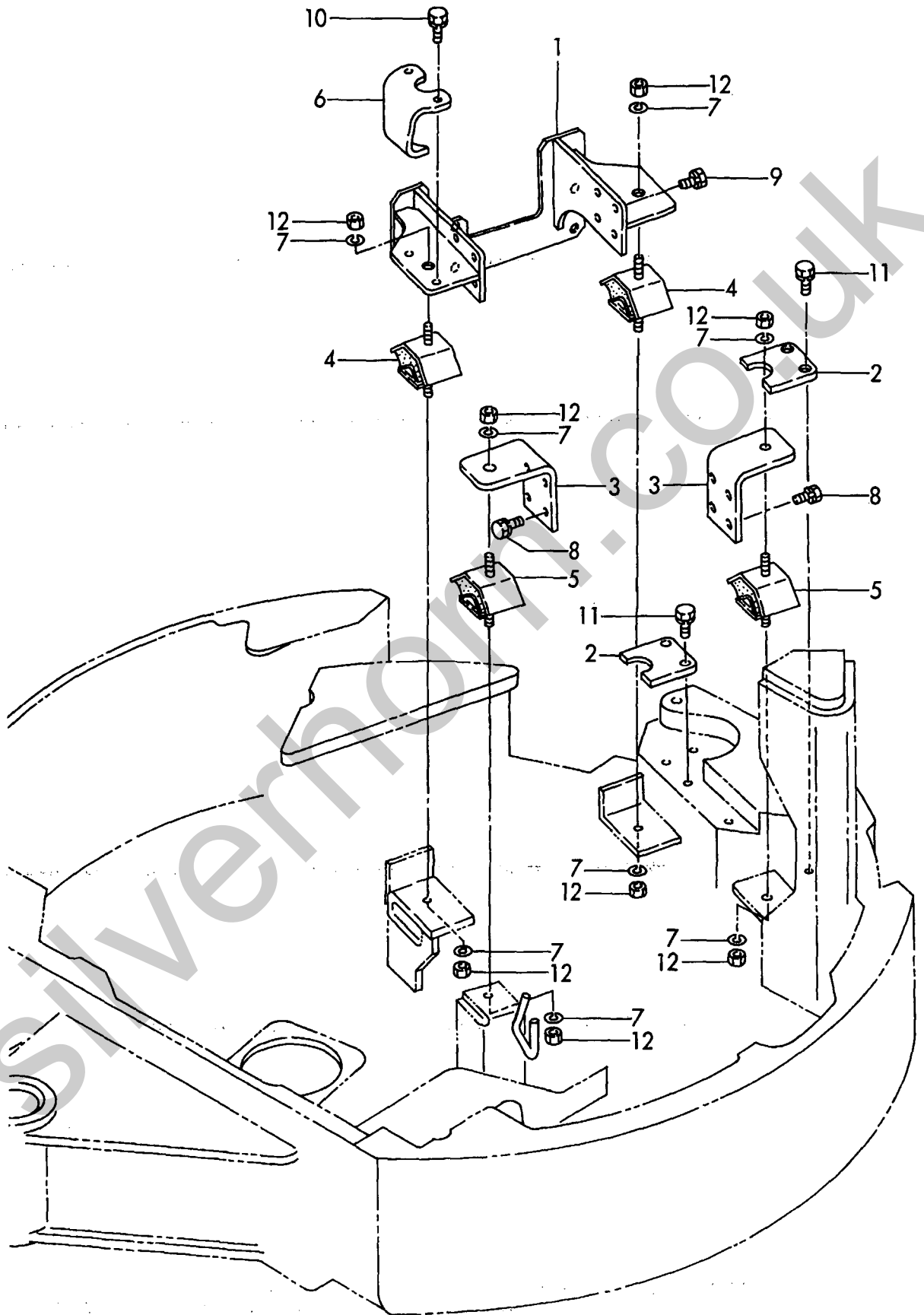
Fig. 4 ACCELERATOR



1,1,,172183-13100,, "MOUNT COMP.,ENGINE",1,,,,,,,,,,,,,,,,,,,,,
2,1,,172157-13150-4,, "PLATE,STOPPER",2,,,,,,,,,,,,,,,,,,,,,
3,1,,172183-13150,, "MOUNT,ENGINE",2,,,,,,,,,,,,,,,,,,,,,
4,1,,172137-13180,, "ABSORBER, SHOCK",2,,,,,,,,,,,,,,,,,,,,,
5,1,,172179-13210,, CUSHION,2,,,,,,,,,,,,,,,,,,,,,
6,1,,172183-13250,, "STOPPER,ENGINE",1,,,,,,,,,,,,,,,,,,,,,
7,1,,22217-100000,, "SPRING WASHER 10",8,,,,,,,,,,,,,,,,,,,,,
8,1,,26013-100252,, "BOLT W/WASHER M10X25",8,,,,,,,,,,,,,,,,,,,,,
9,1,,26013-100252,, "BOLT W/WASHER M10X25",8,,,,,,,,,,,,,,,,,,,,,
10,1,,26013-100252,, "BOLT W/WASHER M10X25",2,,,,,,,,,,,,,,,,,,,,,
11,1,,26013-100302,, "BOLT M10X 30",4,,,,,,,,,,,,,,,,,,,,,
12,1,,26716-100002,, "NUT 10",8,,,,,,,,,,,,,,,,,,,,,

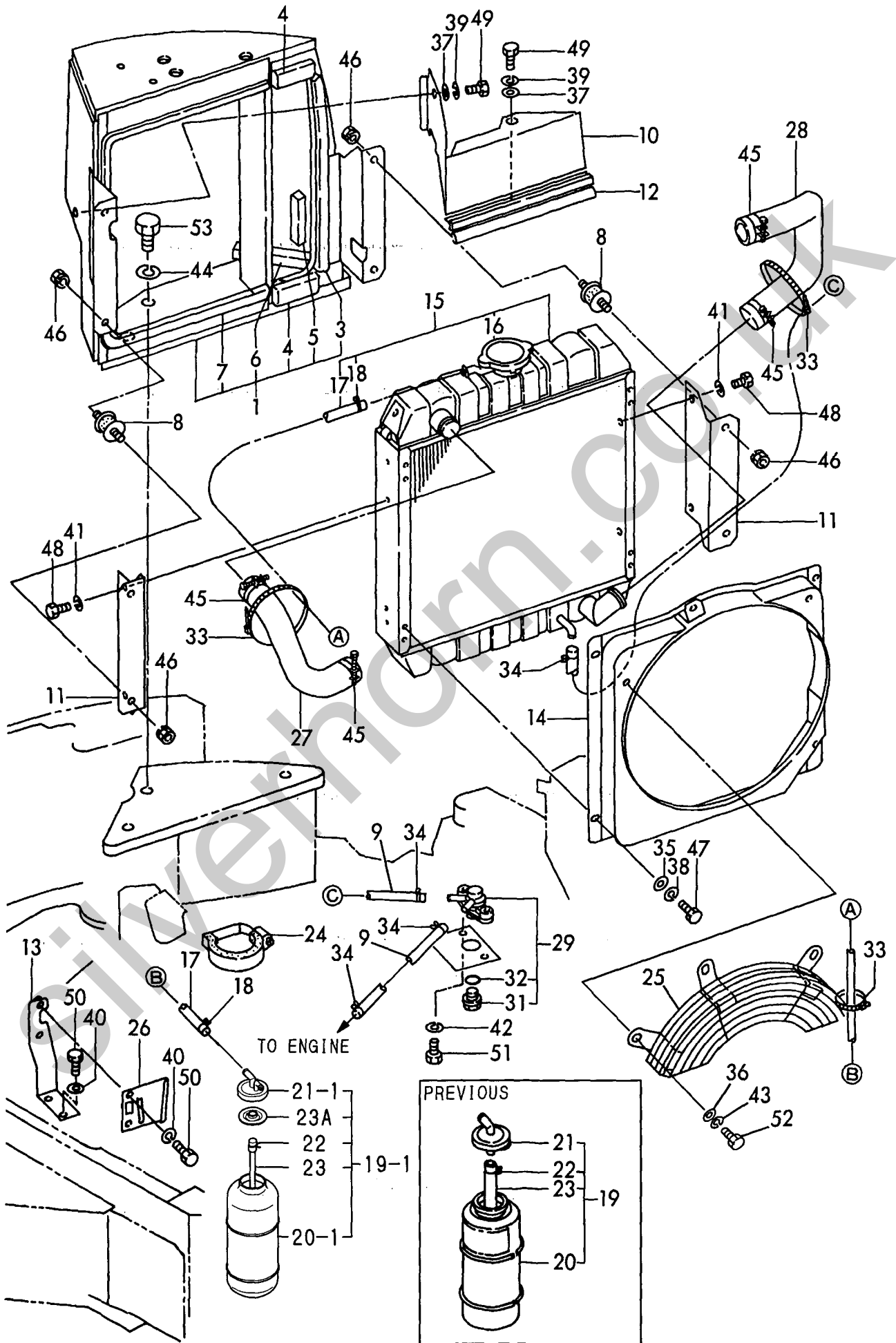
Silverhorn.CO.UK

Fig. 5 ENGINE MOUNT



1,1,,172183-13300,, "MOUNT ASSY.,RADIATOR",1,,,,,,,,,,,,,
3,2,,172183-13460,, "SEAL A,RADIATOR",1,,,,,,,,,,,,,
4,2,,172183-13470,, "SEAL B,RADIATOR",2,,,,,,,,,,,,,
5,2,,172183-13490,, "SEAL D,RADIATOR",1,,,,,,,,,,,,,
6,2,,172183-13510,, "SEAL C,RADIATOR",1,,,,,,,,,,,,,
7,2,,172183-65530,, "RUBBER 815,SEAL",1,,,,,,,,,,,,,
8,1,,172122-13310,, "MOUNT, RADIATOR",4,,,,,,,,,,,,,
9,1,,1E6511-03220,, "HOSE B, FUEL",2,,,,,,,,,,,,,
10,1,,172183-13430,, "PLATE J,SEAL",1,,,,,,,,,,,,,
11,1,,172183-13440,, "BRACKET C",2,,,,,,,,,,,,,
12,1,,172183-13480,, "RUBBER,SEAL",1,,,,,,,,,,,,,
13,1,,172183-13550,, "BRACKET COMPL.",1,,,,,,,,,,,,,
14,1,,172183-13600,, "SHROUD COMPL.",1,,,,,,,,,,,,,
15,1,,119233-44510,,RADIATOR,1,,,,,,,,,,,,,
16,2,,124450-44590,, "CAP, RADIATOR",1,,,,,,,,,,,,,
17,2,,124738-49150,, "PIPE, WATER DRAIN",1,,,,,,,,,,,,,
18,2,,121250-44590,,CLAMP,2,,,,,,,,,,,,,
19,1,,121450-44510,, "SUB RESERVOIR ASSY",1,,,,,,,,,,,,,
19-1,1,,119813-44510,, "SUB-TANK ASSY",1,,,,,N,72421031,M/#02556,,,,,I
20,2,,121450-44520,, "BODY, SUB-TANK",1,,,,,,,,,,,,,
20-1,2,,119813-13520,, "BODY, SUB-TANK",1,,,,,S,72421031,M/#02556,,,,,I
21,2,,121450-44530,, "CAP, RESERVOIR TANK",1,,,,,,,,,,,,,
21-1,2,,121450-44531,,CAP,1,,,,,S,72421031,M/#02556,,,,,I
22,2,,124450-44560,,CLAMP,1,,,,,,,,,,,,,
23,2,,23065-070180,, "PIPE 7X 180",1,,,,,,,,,,,,,
23A,2,,121470-44581,,GASKET,1,,,,,W,72421031,M/#02556,,,,,I
24,1,,124450-44550,, "CLAMP, SUB-TANK",1,,,,,,,,,,,,,
25,1,,119233-44601,, "WIRE NET, FAN",1,,,,,,,,,,,,,
26,1,,121256-44600,, "BRACKET, SUB-TANK",1,,,,,,,,,,,,,
27,1,,119233-49010,, "TUBE A, WATER",1,,,,,,,,,,,,,
28,1,,119253-49020,, "TUBE B, WATER",1,,,,,,,,,,,,,
29,1,,121450-49110,, "COCK ASSY, 3-WAY",1,,,,,,,,,,,,,
31,2,,121250-49121,,PLUG,1,,,,,,,,,,,,,
32,2,,24311-000160,, "O-RING 1A P-16.0",1,,,,,,,,,,,,,
33,1,,194202-56460,,BAND,3,,,,,,,,,,,,,
34,1,,124766-59050,, "CLAMP 12",4,,,,,,,,,,,,,
35,1,,22137-060000,, "WASHER 6, POLISHED",4,,,,,,,,,,,,,
36,1,,22137-080000,, "WASHER 8, POLISHED",3,,,,,,,,,,,,,
37,1,,22137-080000,, "WASHER 8, POLISHED",2,,,,,,,,,,,,,
38,1,,22217-060000,, "SPRING WASHER 6",4,,,,,,,,,,,,,
39,1,,22217-080000,, "SPRING WASHER 8",2,,,,,,,,,,,,,
40,1,,22217-080000,, "SPRING WASHER 8",4,,,,,,,,,,,,,
41,1,,22217-080000,, "SPRING WASHER 8",4,,,,,,,,,,,,,
42,1,,22217-080000,, "SPRING WASHER 8",2,,,,,,,,,,,,,
43,1,,22217-080000,, "SPRING WASHER 8",3,,,,,,,,,,,,,
44,1,,22217-160000,, "SPRING WASHER 16",3,,,,,,,,,,,,,
45,1,,23010-038000,, "CLAMP 38",4,,,,,,,,,,,,,
46,1,,26051-080002,, "NUT M 8",8,,,,,,,,,,,,,
47,1,,26116-060122,, "BOLT 6X12",4,,,,,,,,,,,,,
48,1,,26116-080122,, "BOLT M 8X 12 PLATED",4,,,,,,,,,,,,,
49,1,,26116-080162,, "BOLT 8X16",2,,,,,,,,,,,,,
50,1,,26116-080162,, "BOLT 8X16",4,,,,,,,,,,,,,
51,1,,26116-080202,, "BOLT M 8X 20 PLATED",2,,,,,,,,,,,,,
52,1,,26116-080162,, "BOLT 8X16",3,,,,,,,,,,,,,
53,1,,26116-160402,, "BOLT M16X 40 PLATED",3,,,,,,,,,,,,,

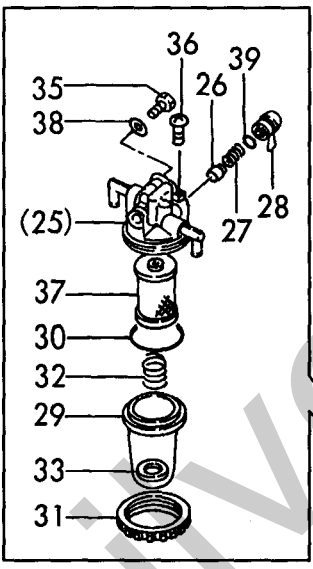
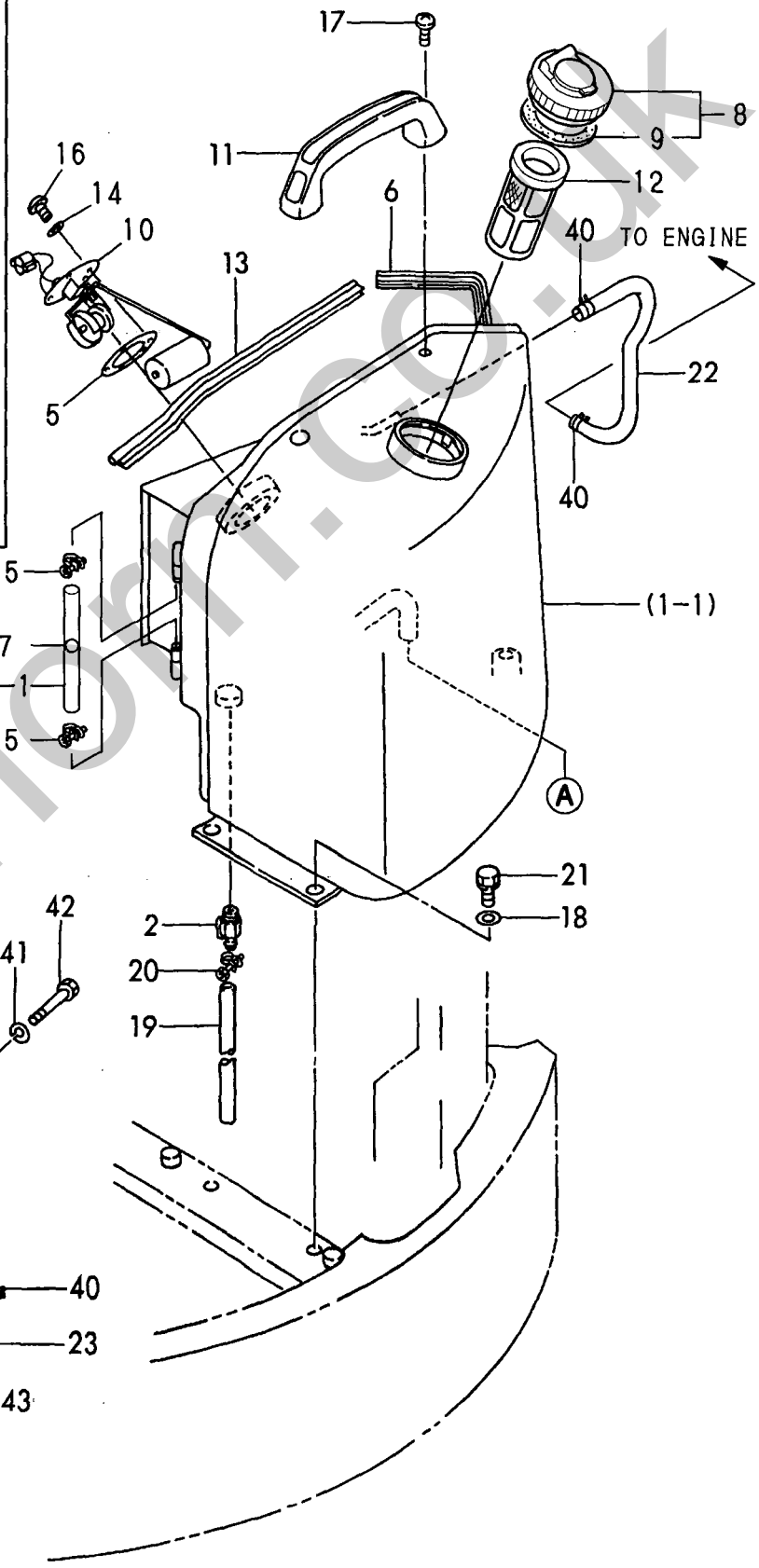
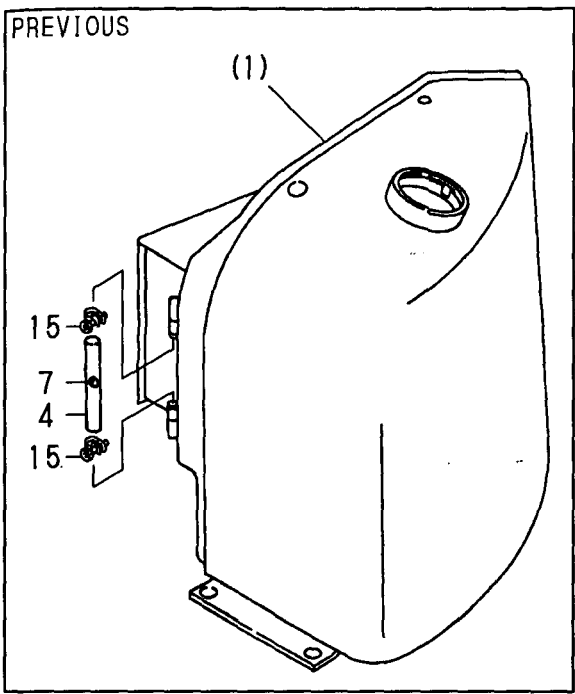
Fig. 6 RADIATOR & MOUNT



1,1,,772183-14101,, "TANK ASSY.,FUEL",1,,,,,,,,,,,,,,,,,,,,,
1-1,1,,772183-14102,, "TANK ASSY, FUEL",1,,,,,,N,,72421003,M/#02515,,,,,,,,,,,,,I
1-2,1,,772183-14102-1,, "TANK ASSY, FUEL",1,,,,,,S,,72438003,M/#02637,,,,,,,,,,,,,I
2,2,,104200-11920,,COCK,1,,,,,,,,,,,,,,,,,,,,,,,,,,,,,
4,2,,172183-14181,, "HOSE,FUEL GAUGE",1,,,,,,,,,,,,,,,,,,,,,
4-1,2,,172155-14161,, "HOSE, FUEL GAUGE",1,,,,,,S,,72421003,M/#02515,,,,,,,,,,,,,I
5,2,,172162-14200,,GASKET,1,,,,,,,,,,,,,,,,,,,,,,,,,,,,,
6,2,,172183-14230,, "RUBBER 450,SEAL",1,,,,,,,,,,,,,,,,,,,,,
7,2,,172141-14260,,FLOAT,1,,,,,,,,,,,,,,,,,,,,,,,,,,,,,
8,2,,172122-14301,, "CAP, FUEL TANK",1,,,,,,,,,,,,,,,,,,,,,
9,3,,172122-14350,,GASKET,1,,,,,,,,,,,,,,,,,,,,,,,,,,,,,
10,2,,172173-14300,, "GAUGE UNIT,FUEL",1,,,,,,,,,,,,,,,,,,,,,
11,2,,172164-45980,, "GRIP, BONNET",1,,,,,,,,,,,,,,,,,,,,,
12,2,,172183-14250,, "FILTER (FUEL",1,,,,,,,,,,,,,,,,,,,,,
13,2,,172164-66480,, "RUBBER 340, SEAL",1,,,,,,,,,,,,,,,,,,,,,
14,2,,22217-050000,, "SPRING WASHER 5",5,,,,,,,,,,,,,,,,,,,,,
15,2,,23010-014000,, "CLAMP 14",2,,,,,,,,,,,,,,,,,,,,,
16,2,,26557-050122,, "SCREW M 5X 12",5,,,,,,,,,,,,,,,,,,,,,
17,2,,26557-080162,, "SCREW M 8X 16",2,,,,,,,,,,,,,,,,,,,,,
18,1,,194145-04810,, "WASHER 10",3,,,,,,,,,,,,,,,,,,,,,
19,1,,172142-14320,, "GAUGE, FUEL",1,,,,,,,,,,,,,,,,,,,,,
20,1,,23080-013000,, "CLAMP 13,HOSE",1,,,,,,,,,,,,,,,,,,,,,
21,1,,26013-100302,, "BOLT M10X 30",3,,,,,,,,,,,,,,,,,,,,,
22,1,,1E6511-03220,, "HOSE B, FUEL",1,,,,,,,,,,,,,,,,,,,,,
23,1,,172124-14610,, "HOSE L=200, FUEL",1,,,,,,,,,,,,,,,,,,,,,
24,1,,172116-14620,, "PIPE,FUEL",1,,,,,,,,,,,,,,,,,,,,,
25,1,,129335-55700,, "SEPARATOR, WATER",1,,,,,,,,,,,,,,,,,,,,,
26,2,,104200-55321,, "VALVE, TAPER",1,,,,,,,,,,,,,,,,,,,,,
27,2,,104200-55330,, "SPRING, TAPER VALVE",1,,,,,,,,,,,,,,,,,,,,,
28,2,,104200-55341,, "HANDLE, COCK",1,,,,,,,,,,,,,,,,,,,,,
29,2,,124064-55510,, "BOWL, FUEL STRAINER",1,,,,,,,,,,,,,,,,,,,,,
30,2,,102103-55520,,O-RING,1,,,,,,,,,,,,,,,,,,,,,
31,2,,110250-55610,, "RING, RETAINING",1,,,,,,,,,,,,,,,,,,,,,
32,2,,121257-55720,, "SPRING, SCREEN",1,,,,,,,,,,,,,,,,,,,,,
33,2,,121257-55731,,FLOAT,1,,,,,,,,,,,,,,,,,,,,,
35,2,,101720-55750,, "PLUG 6",2,,,,,,,,,,,,,,,,,,,,,
36,2,,104200-55750,, "SCREW M 4",1,,,,,,,,,,,,,,,,,,,,,
37,2,,171081-55910,,SCREEN,1,,,,,,,,,,,,,,,,,,,,,
38,2,,23418-060000,, "GASKET 6, NYLON",2,,,,,,,,,,,,,,,,,,,,,
39,2,,24311-240100,, "O-RING 1A P-10A",1,,,,,,,,,,,,,,,,,,,,,
40,1,,124766-59050,, "CLAMP 12",6,,,,,,,,,,,,,,,,,,,,,
41,1,,22217-080000,, "SPRING WASHER 8",1,,,,,,,,,,,,,,,,,,,,,
42,1,,26116-080652,, "BOLT M 8X 65 PLATED",1,,,,,,,,,,,,,,,,,,,,,
43,1,,933168-55770,, "BAND 146",1,,,,,,,,,,,,,,,,,,,,,

Fig. 7 FUEL TANK & FUEL PIPE

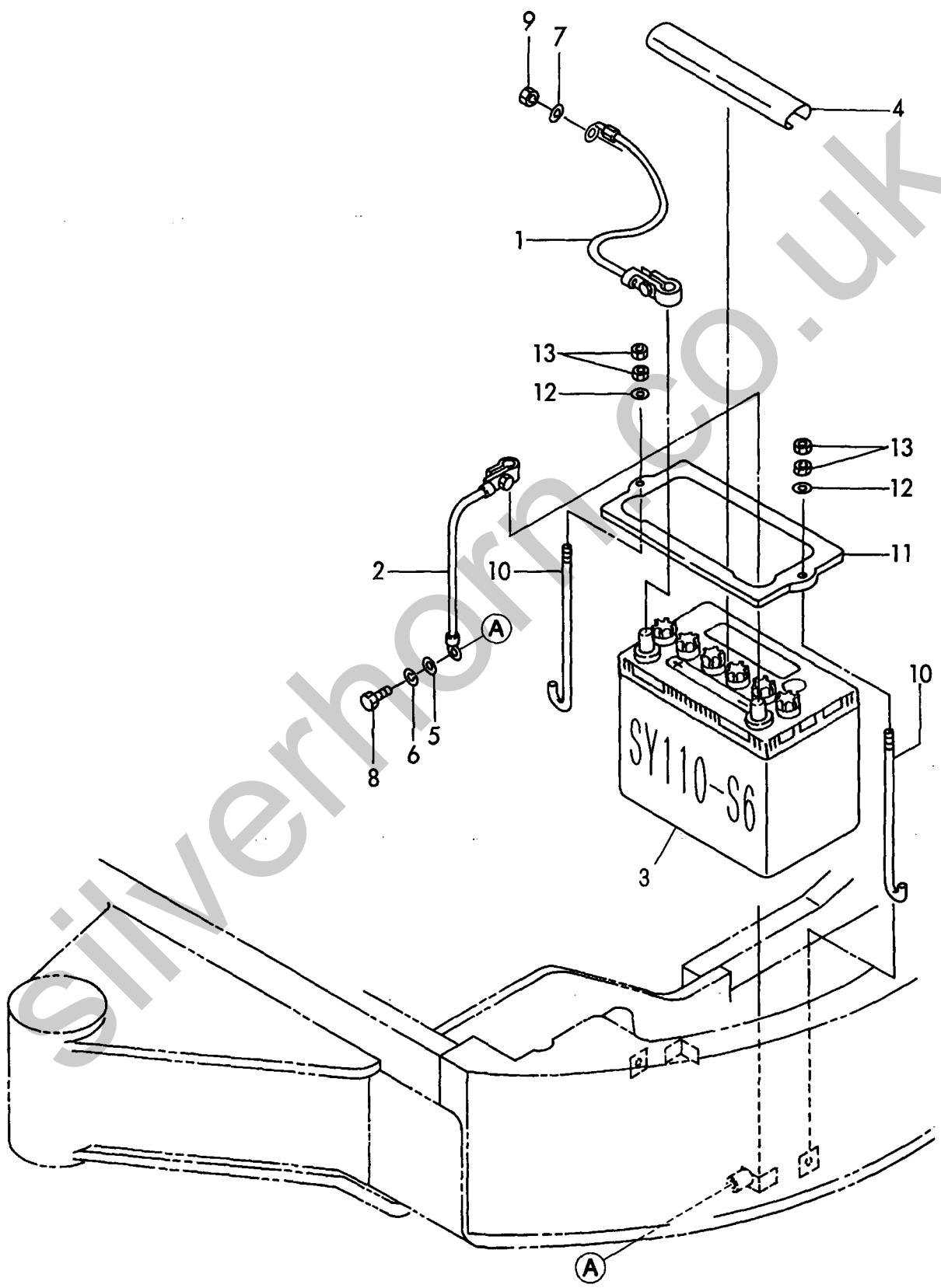
1; 1-1inc. (1), (1-1) ~ 17



1,1,,172183-16100,, "CORD,BATTERY POSITV.",1,,,,,,,,,,,,,,,,,,,,,
2,1,,172149-16110,, "HARNESS, BATTERY",1,,,,,,,,,,,,,,,,,,,,,
3,1,,172175-16110,, BATTERY,1,,,,,,,,,,,,,,,,,,,,,
4,1,,194440-51550,, "COVER, BATTERY",1,,,,,,,,,,,,,,,,,,,,,
5,1,,22137-080000,, "WASHER 8, POLISHED",1,,,,,,,,,,,,,,,,,,,,,
6,1,,22217-080000,, "SPRING WASHER 8",1,,,,,,,,,,,,,,,,,,,,,
7,1,,22217-080000,, "SPRING WASHER 8",1,,,,,,,,,,,,,,,,,,,,,
8,1,,26116-080162,, "BOLT 8X16",1,,,,,,,,,,,,,,,,,,,,,
9,1,,26716-080002,, "NUT M 8",1,,,,,,,,,,,,,,,,,,,,,
10,1,,172631-16350,, "ROD,BATTERY CLAMP",2,,,,,,,,,,,,,,,,,,,,,
11,1,,194940-64750,, "CLAMP,BATTERY",1,,,,,,,,,,,,,,,,,,,,,
12,1,,22157-060000,, "WASHER 6",2,,,,,,,,,,,,,,,,,,,,,
13,1,,26716-060002,, "NUT 6",4,,,,,,,,,,,,,,,,,,,,,

Silverhorn.CO.UK

Fig. 8 BATTERY

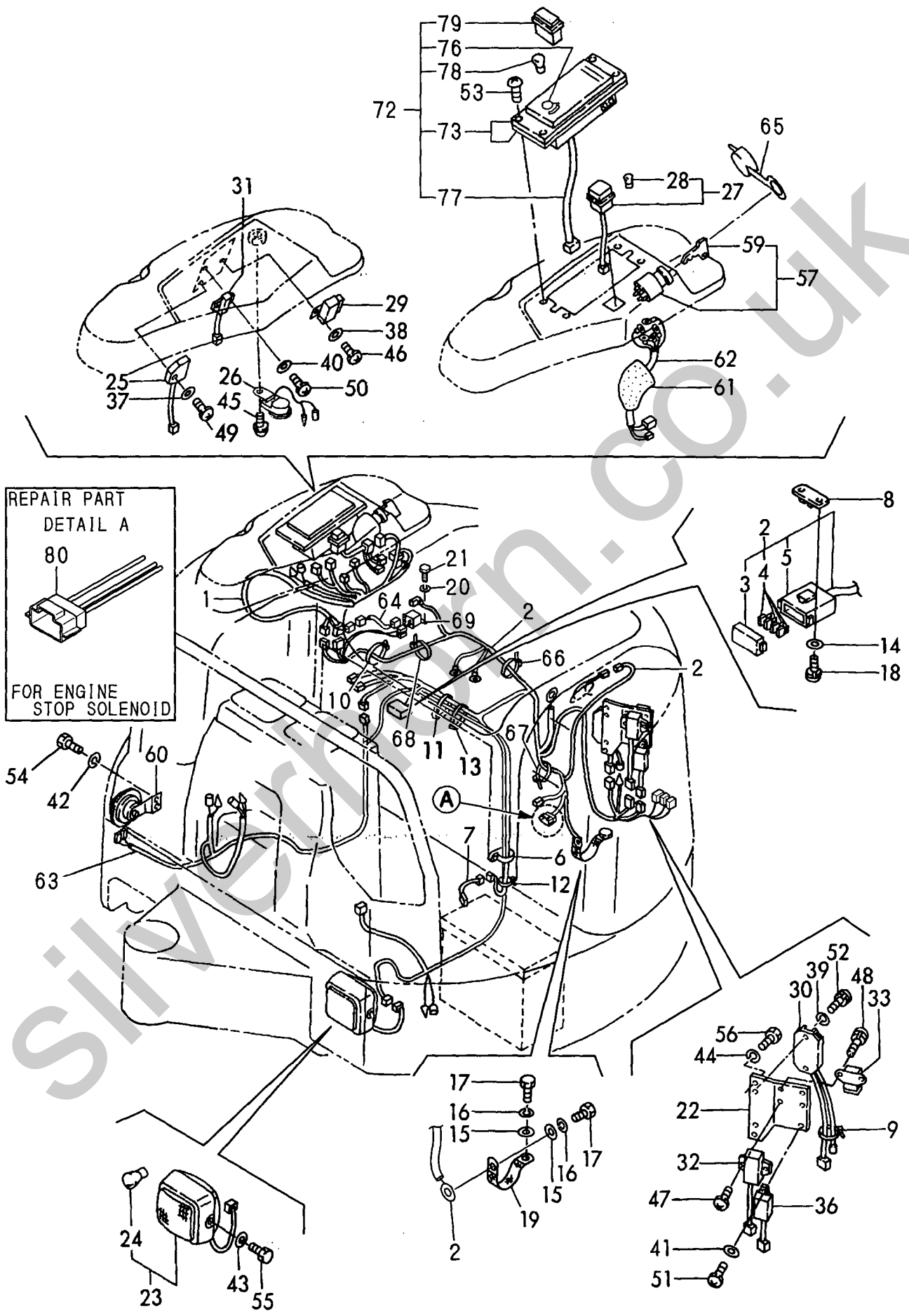


1,1,,172183-16502,, "HARNES, WIRE",1,
2,1,,172183-16511,, "HARNES, WIRE",1,
3,2,,172183-16590,, COVER,1,
4,2,,29420-150000,, HUSE,4,
5,2,,172183-16580,, "BODY,FUSER",1,
6,1,,1A1380-59480,, "CLAMP A,SM.&DYN.CORD",1,
7,1,,172183-16540,, "LINK,FUSIBLE",1,
8,1,,172183-16550,, "BRACKET,FUSE",1,
9,1,,194202-56460,, BAND,1,
10,1,,194202-56460,, BAND,1,
11,1,,172122-79930,, CLAMP,1,
12,1,,194202-56460,, BAND,1,
13,1,,172183-16560,, "CLIP 400,HOSE",1,
14,1,,22137-060000,, "WASHER 6, POLISHED",2,
15,1,,22137-100000,, "WASHER 10,POLISHED",2,
16,1,,22217-100000,, "SPRING WASHER 10",2,
17,1,,26116-100162,, "BOLT M10X 16 PLATED",2,
18,1,,26557-060122,, "SCREW M 6X 12,PAN HD",2,
19,1,,933171-15801,, "WIRE, EARTH",1,
20,1,,22217-060000,, "SPRING WASHER 6",2,
21,1,,26116-060162,, "BOLT 6X16",2,
22,1,,172183-17100,, "BRACKET COMPL.",1,
23,1,,172183-17120,, "LAMP,HEAD",1,
24,2,,172156-17420,, "BULB 12V-27W",1,
25,1,,172141-17141,, "UNIT, CHECKER",1,
26,1,,172141-17150,, BUZZER,1,
27,1,,172141-17190,, "SWITCH, WORK LAMP",1,
28,2,,172141-17230,, "BULB 24V- 6W",1,
29,1,,119247-77100,, "RELAY, SAFETY",1,
30,1,,119640-77711,, "LIMITER,CURRENT",1,
31,1,,121522-77721,, "INDICATOR, CHARGING",1,
32,1,,129155-77810,, RESISTOR,1,
33,1,,119650-77910,, "RELAY, GROW",1,
36,1,,119632-77922,, TIMER,1,
37,1,,22137-060000,, "WASHER 6, POLISHED",1,
38,1,,22137-060000,, "WASHER 6, POLISHED",1,
39,1,,22137-060000,, "WASHER 6, POLISHED",2,
40,1,,22137-060000,, "WASHER 6, POLISHED",1,
41,1,,22137-060000,, "WASHER 6, POLISHED",1,
42,1,,22217-060000,, "SPRING WASHER 6",2,
43,1,,22217-060000,, "SPRING WASHER 6",2,
44,1,,22217-080000,, "SPRING WASHER 8",2,
45,1,,26022-060122,, "SCREW M 6X 12",1,
46,1,,26022-060162,, "SCREW M 6X 16",1,
47,1,,26022-060122,, "SCREW M 6X 12",2,
48,1,,26022-060122,, "SCREW M 6X 12",2,
49,1,,26022-060162,, "SCREW M 6X 16",1,
50,1,,26022-060122,, "SCREW M 6X 12",1,
51,1,,26022-060162,, "SCREW M 6X 16",1,
52,1,,26022-060252,, "SCREW M 6X 25",2,
53,1,,26589-040202,, "SCREW M4,BINDING",4,
54,1,,26116-060162,, "BOLT 6X16",2,
55,1,,26116-060162,, "BOLT 6X16",2,
56,1,,26116-080162,, "BOLT 8X16",2,
57,1,,933110-00100,, "SWITCH ASSY, STARTER",1,
59,2,,933110-00301,, "KEY ASSY",1,
60,1,,933110-05300,, HORN,1,
61,1,,933113-15900,, "COVER, SWITCH TERMI.",1,
62,1,,172149-16520,, "HARNES, STARTER",1,
63,1,,172183-16521,, "HARNES C,WIRE",1,
64,1,,172183-16620,, "HARNES, WIRE",1,
65,1,,172183-17140,, CAP,1,
66,1,,194202-56460,, BAND,1,

67,1,,194202-56460,,BAND,1,,,,,,,,,,,,,
68,1,,194202-56460,,BAND,1,,,,,,,,,,,,,
69,1,,119650-77910,, "RELAY, GROW",1,,,,,,,,,,,,,
72,1,,172162-17101,, "BOX ASSY, INDICATOR",1,,,,,,,,,,,,,
73,2,,172162-17270,, "COVER, FRONT",1,,,,,,,,,,,,,
76,2,,172162-17240,, "METER ASSY, FUEL",1,,,,,,,,,,,,,
77,2,,172162-17250,, HARNESS,1,,,,,,,,,,,,,
78,2,,172162-17120,, VALVE,4,,,,,,,,,,,,,
79,2,,172162-17130,, HOURMETER,1,,,,,,,,,,,,,
80,1,,172183-16900,, CONNECTOR(SOLENOID,1,,,,,,1,,,,,,,,,,,,,

Silverhorn.CO.UK

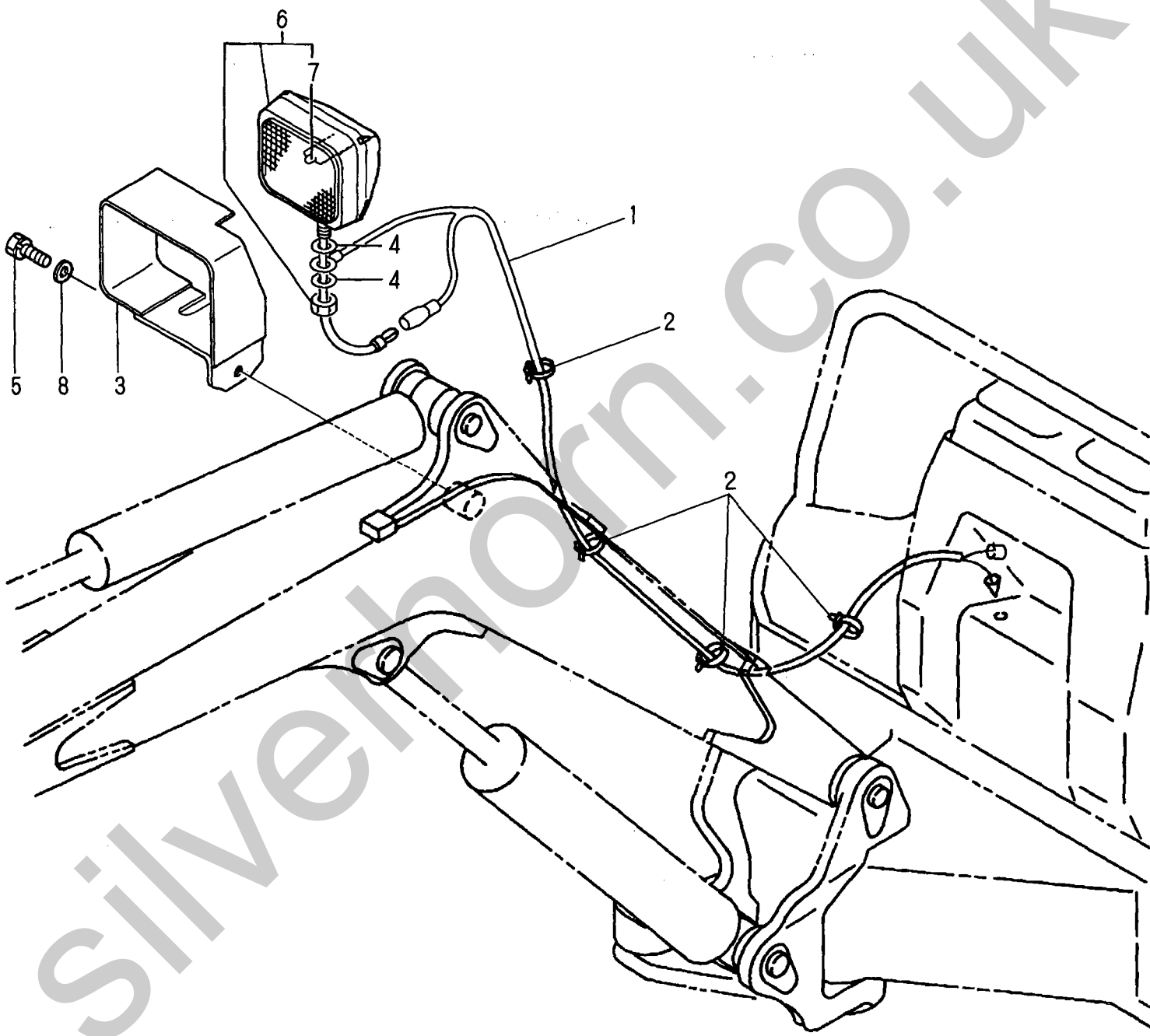
Fig. 9 ELECTRIC PART



1,1,,172137-16531,, "WIRE, LEAD",1,,,,,,,,,,,,,
2,1,,172137-16560,, BAND,4,,,,,,,,,,,,,
3,1,,172137-17401-4,, "COVER, WORK LAMP",1,,,,,,,,,,,,,
3-1,1,,172137-17401,, "COVER
(YELLOW:87)",1,,,,,S,,72438003,M/#02637,,,,,,,,,I
4,1,,22137-130000,, "WASHER 13",2,,,,,,,,,,,,,
5,1,,26013-120252,, "BOLT M12X 25",1,,,,,,,,,,,,,
6,1,,933113-05200,, "LAMP, WORK",1,,,,,,,,,,,,,
7,2,,933113-05210,, "BULB 12V 27W",1,,,,,,,,,,,,,
8,1,,933152-03700,, "WASHER, SIDE CLUTCH",1,,,,,,,,,,,,,

Silverhorn.CO.UK

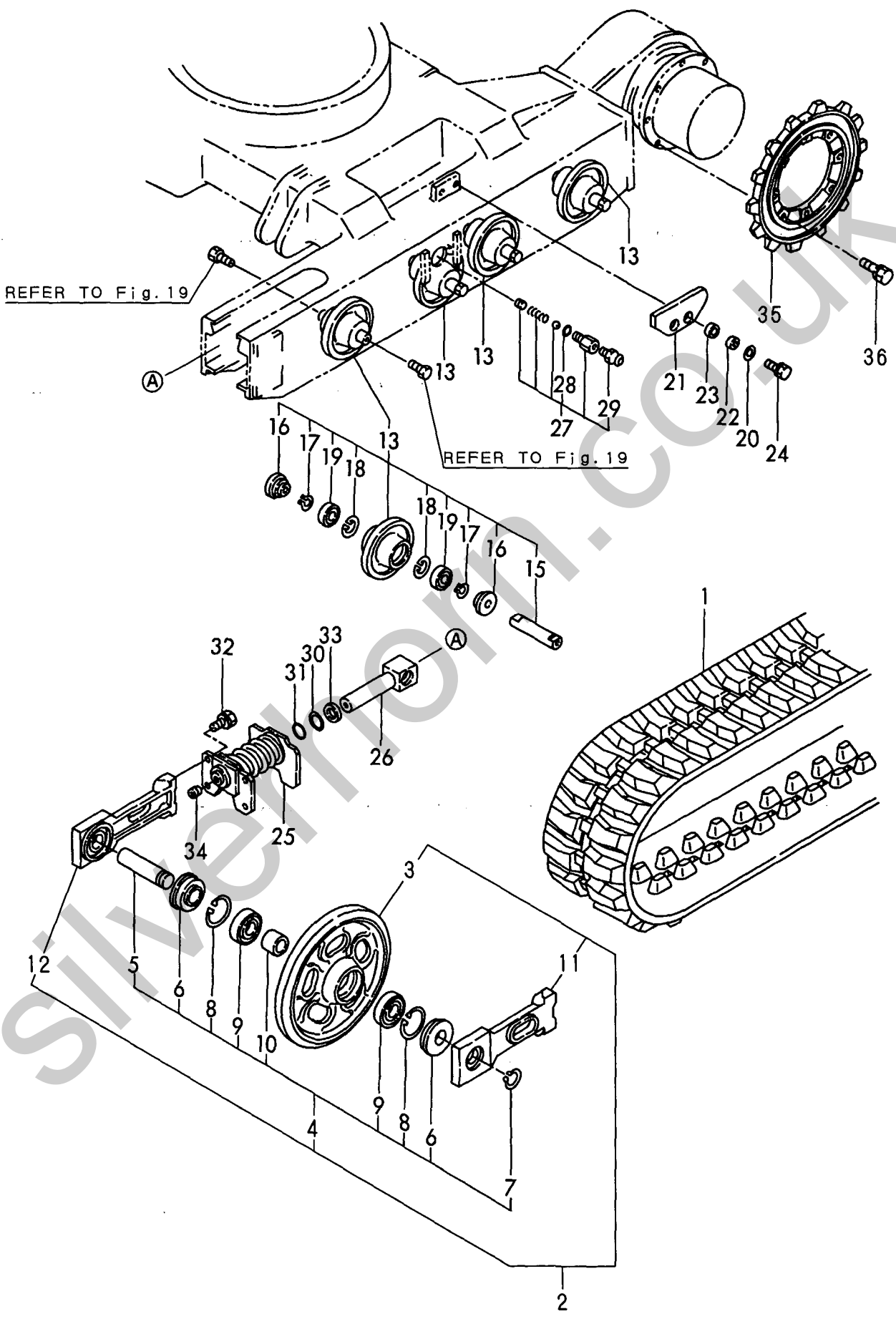
Fig. 10 WORK LAMP



1,1,,172983-38600,, "CRAWLER ASSY, RUBBER",2,,,,,,,,,,,,,,,,,,,,,
 2,1,,772183-37100,, "IDLER ASSY",2,,,,,,,,,,,,,,,,,,,,,
 3,2,,172183-37100,, "IDLER 302",2,,,,,,,,,,,,,,,,,,,,,
 4,2,,172137-99490,, "IDLER KIT, FRONT",2,,,,,,,,,,,,,,,,,,,,,
 5,3,,172137-37110,, "SHAFT, IDLER",2,,,,,,,,,,,,,,,,,,,,,
 6,3,,1A1030-48250,, "SEAL QLF30621218,OIL",4,,,,,,,,,,,,,,,,,,,,,
 7,3,,22242-000300,, "CIRCLIP 30",2,,,,,,,,,,,,,,,,,,,,,
 8,3,,22252-000620,, "CIRCLIP 62(H)",4,,,,,,,,,,,,,,,,,,,,,
 9,3,,24101-062064,, "BALL BEARING",4,,,,,,,,,,,,,,,,,,,,,
 10,3,,933168-13990,, "COLLAR(B), IDLE.SHAFT",2,,,,,,,,,,,,,,,,,,,,,
 11,2,,172137-37130,, "COVER (L), SEAL",2,,,,,,,,,,,,,,,,,,,,,
 12,2,,172137-37140,, "COVER (R), SEAL",2,,,,,,,,,,,,,,,,,,,,,
 13,1,,772137-37300,, "ROLLER ASSY, TRUCK",8,,,,,,,,,,,,,,,,,,,,,
 15,2,,172137-37330,, "SHAFT, TRACK ROLLER",8,,,,,,,,,,,,,,,,,,,,,
 16,2,,172137-37360,, "SEAL",16,,,,,,,,,,,,,,,,,,,,,
 17,2,,22242-000250,, "CIRCLIP 25S",16,,,,,,,,,,,,,,,,,,,,,
 18,2,,22252-000470,, "CIRCLIP 47",16,,,,,,,,,,,,,,,,,,,,,
 19,2,,24101-060054,, "BALL BEARING",16,,,,,,,,,,,,,,,,,,,,,
 20,1,,172110-36010,, "COLLAR",4,,,,,,,,,,,,,,,,,,,,,
 21,1,,172183-37500-1,, "PLATE,SHOE BAFFLE",2,,,,,,,,,,,,,,,,,,,,,
 21-1,1,,172183-37500-2,, "PLATE,SHOE
 BAFFLE",2,,,,,,S,,72183222,M/#02518,,,,,,,,,,,,,I
 21-2,1,,172183-37500-3,, "PLATE,SHOE
 BAFFLE",2,,,,,,S,,72438003,M/#02637,,,,,,,,,,,,,I
 22,1,,172183-37510,, "COLLAR 11X16X13",4,,,,,,,,,,,,,,,,,,,,,
 23,1,,172183-37520,, "COLLAR 16X24X13,RBBR",4,,,,,,,,,,,,,,,,,,,,,
 24,1,,26013-100352,, "BOLT M10X 35",4,,,,,,,,,,,,,,,,,,,,,
 25,1,,172137-37710,, "SPRING, ADJUSTING",2,,,,,,,,,,,,,,,,,,,,,
 26,1,,172137-37801,, "TUBE, ADJUSTER",2,,,,,,,,,,,,,,,,,,,,,
 27,1,,172122-37843,, "VALVE ASSY, NIPPLE",2,,,,,,,,,,,,,,,,,,,,,
 28,2,,24315-000140,, "O-RING 1B P-14.0",2,,,,,,,,,,,,,,,,,,,,,
 29,2,,24761-020000,, "NIPPLE PT1/8,GREASE",2,,,,,,,,,,,,,,,,,,,,,
 30,1,,172137-37850,, "RING, BACK UP",2,,,,,,,,,,,,,,,,,,,,,
 31,1,,24315-000300,, "O-RING 1B P-30.0",2,,,,,,,,,,,,,,,,,,,,,
 32,1,,26013-100302,, "BOLT M10X 30",8,,,,,,,,,,,,,,,,,,,,,
 33,1,,933126-38600,, "SEAL, DUST",2,,,,,,,,,,,,,,,,,,,,,
 34,1,,933171-13691,, "PLUG PT1/8",2,,,,,,,,,,,,,,,,,,,,,
 35,1,,172137-29111,, "SPROCKET R",2,,,,,,,,,,,,,,,,,,,,,
 36,1,,26013-100252,, "BOLT W/WASHER M10X25",18,,,,,,,,,,,,,,,,,,,,,



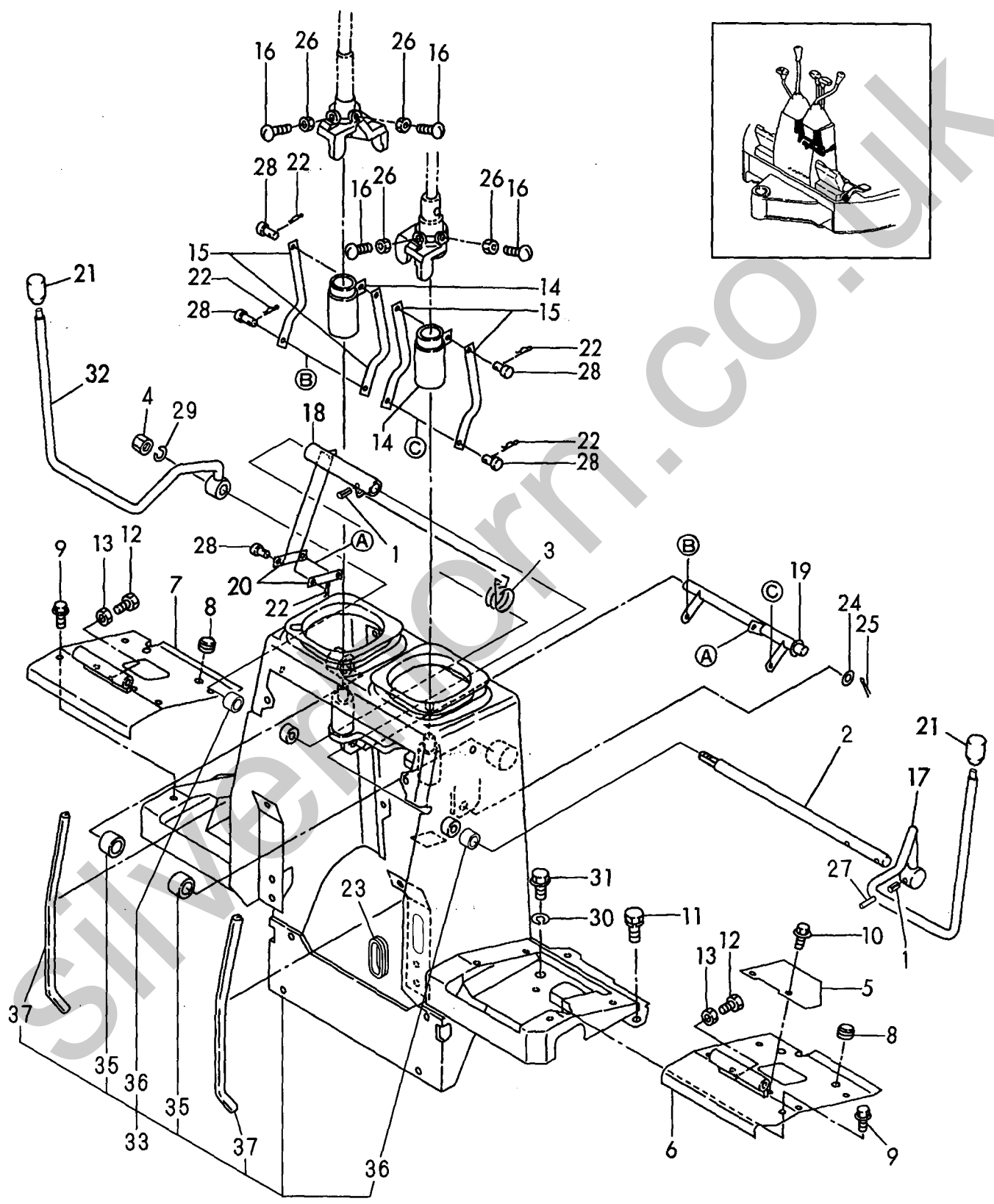
Fig. 11 CRAWLER, ROLLER & ADJUST



1,1,,22351-050025,, "SPRING PIN 5X25",2,,,,,,,,,,,,,,,,,,,,,
 2,1,,172183-45921,, "SHAFT 14",1,,,,,,,,,,,,,,,,,,,,,
 3,1,,172165-45970,, SPRING,1,,,,,,,,,,,,,,,,,,,,,
 4,1,,26716-120002,, "NUT 12",1,,,,,,,,,,,,,,,,,,,,,
 5,1,,172165-45620,, "COVER, SUPPORT",1,,,,,,,,,,,,,,,,,,,,,
 6,1,,172183-45720,, "COVER L COMPL.",1,,,,,,,,,,,,,,,,,,,,,
 7,1,,172183-45740,, "COVER R COMPL.",1,,,,,,,,,,,,,,,,,,,,,
 8,1,,194630-62360,, GROMMET,4,,,,,,,,,,,,,,,,,,,,,
 9,1,,172519-63240,, "BOLT 8X 16",8,,,,,,,,,,,,,,,,,,,,,
 10,1,,172519-63240,, "BOLT 8X 16",2,,,,,,,,,,,,,,,,,,,,,
 11,1,,26013-100252,, "BOLT W/WASHER M10X25",4,,,,,,,,,,,,,,,,,,,,,
 12,1,,26116-060202,, "BOLT M 6X 20",2,,,,,,,,,,,,,,,,,,,,,
 13,1,,26716-060002,, "NUT 6",2,,,,,,,,,,,,,,,,,,,,,
 14,1,,172141-42600,, "PIPE, LOCK",2,,,,,,,,,,,,,,,,,,,,,
 15,1,,172141-42701-4,, "LINK, LOCK",4,,,,,,,,,,,,,,,,,,,,,
 16,1,,172141-42750,, "BOLT, STOPPER",8,,,,,,,,,,,,,,,,,,,,,
 17,1,,172183-45772,, "LEVER COMP., LOCK",1,,,,,,,,,,,,,,,,,,,,,
 18,1,,172183-45791,, "ARM COMP., LOCK",1,,,,,,,,,,,,,,,,,,,,,
 19,1,,172183-45800,, "LINK COMP., LOCK",1,,,,,,,,,,,,,,,,,,,,,
 20,1,,172183-45831,, "LINK, LOCK",2,,,,,,,,,,,,,,,,,,,,,
 21,1,,172116-46630,, "KNOB, LOCK LEVER",2,,,,,,,,,,,,,,,,,,,,,
 22,1,,1C6281-52310,, "PIN 6, COME-OFF SNAP",6,,,,,,,,,,,,,,,,,,,,,
 23,1,,933171-15680,, "GROMMET 40X13",1,,,,,,,,,,,,,,,,,,,,,
 24,1,,22137-120000,, "WASHER 12, POLISHED",1,,,,,,,,,,,,,,,,,,,,,
 25,1,,22417-200200,, "COTTER PIN 2.0X20",1,,,,,,,,,,,,,,,,,,,,,
 26,1,,26756-080002,, "LOCK NUT M 8 PLATED",8,,,,,,,,,,,,,,,,,,,,,
 27,1,,22351-030025,, "SPRING PIN 3X25",1,,,,,,,,,,,,,,,,,,,,,
 28,1,,933110-54100,, "PIN 4.75X14",6,,,,,,,,,,,,,,,,,,,,,
 29,1,,22137-120000,, "WASHER 12, POLISHED",1,,,,,,,,,,,,,,,,,,,,,
 30,1,,22217-100000,, "SPRING WASHER 10",2,,,,,,,,,,,,,,,,,,,,,
 31,1,,26116-100162,, "BOLT M10X 16 PLATED",2,,,,,,,,,,,,,,,,,,,,,
 32,1,,172183-45932,, "LEVER COMP., LOCK",1,,,,,,,,,,,,,,,,,,,,,
 33,1,,172183-45402,, "SUPPORT ASSY., LINK",1,,,,,,,,,,,,,,,,,,,,,
 35,2,,172141-41370,, "BUSH 2015",2,,,,,,,,,,,,,,,,,,,,,
 36,2,,172141-41360,, "BUSH 1415",2,,,,,,,,,,,,,,,,,,,,,
 37,2,,172183-45700,, "RUBBER, SUPPORT EDGE",2,,,,,,,,,,,,,,,,,,,,,



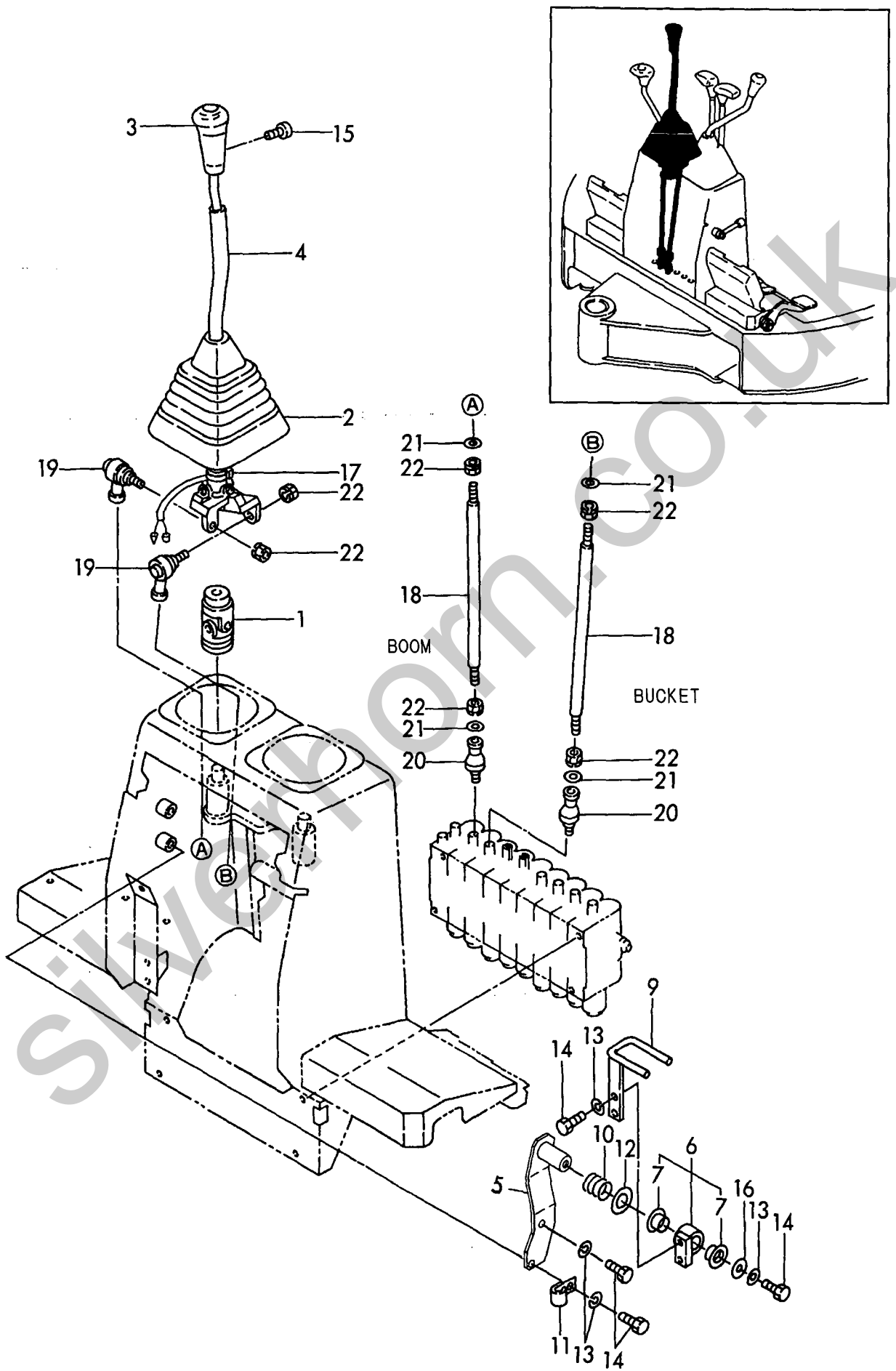
Fig. 12 CONTROL EQUIPMENT (LINK STAND & LEVER STOPPER)



1,1,,172141-41160,,JOINT,1,,,,,,,,,,,,,,,,,,,,,
2,1,,172151-45010,,,"BOOT P,LEVER",1,,,,,,,,,,,,,,,,,,,,,
3,1,,172165-45081,,,"KNOB R COMPL.",1,,,,,,,,,,,,,,,,,,,,,
4,1,,172183-45140,,,"LEVER R COMPL.",1,,,,,,,,,,,,,,,,,,,,,
5,1,,172183-46301,,,"BASE COMPL.",1,,,,,,,,,,,,,,,,,,,,,
6,1,,172183-46340,,,"HOSE ASSY.",1,,,,,,,,,,,,,,,,,,,,,
7,2,,172183-46350,,,"BUSH 20X10,FLANGE",2,,,,,,,,,,,,,,,,,,,,,
9,1,,172183-46400,,,"ARM COMPL.",1,,,,,,,,,,,,,,,,,,,,,
10,1,,172183-46430,,,"SPRING",1,,,,,,,,,,,,,,,,,,,,,
11,1,,172183-46440,,,"CLAMP WRC10",1,,,,,,,,,,,,,,,,,,,,,
12,1,,22137-200000,,,"WASHER 20,POLISHED",1,,,,,,,,,,,,,,,,,,,,,
13,1,,22217-080000,,,"SPRING WASHER 8",5,,,,,,,,,,,,,,,,,,,,,
14,1,,26116-080162,,,"BOLT 8X16",5,,,,,,,,,,,,,,,,,,,,,
15,1,,26587-040062,,,"SCREW M 4X 6",1,,,,,,,,,,,,,,,,,,,,,
16,1,,933166-17730,,,"WASHER 10.5X30",1,,,,,,,,,,,,,,,,,,,,,
17,1,,933168-55770,,,"BAND 146",2,,,,,,,,,,,,,,,,,,,,,
18,1,,172183-45850,,,"ROD 315",2,,,,,,,,,,,,,,,,,,,,,
19,1,,172122-46590,,,"ELBALL 8",2,,,,,,,,,,,,,,,,,,,,,
20,1,,172122-47250,,,"BALL 8, LINK",2,,,,,,,,,,,,,,,,,,,,,
21,1,,22137-080000,,,"WASHER 8, POLISHED",4,,,,,,,,,,,,,,,,,,,,,
22,1,,26051-080002,,,"NUT M 8",6,,,,,,,,,,,,,,,,,,,,,

Silverhorn.CO.UK

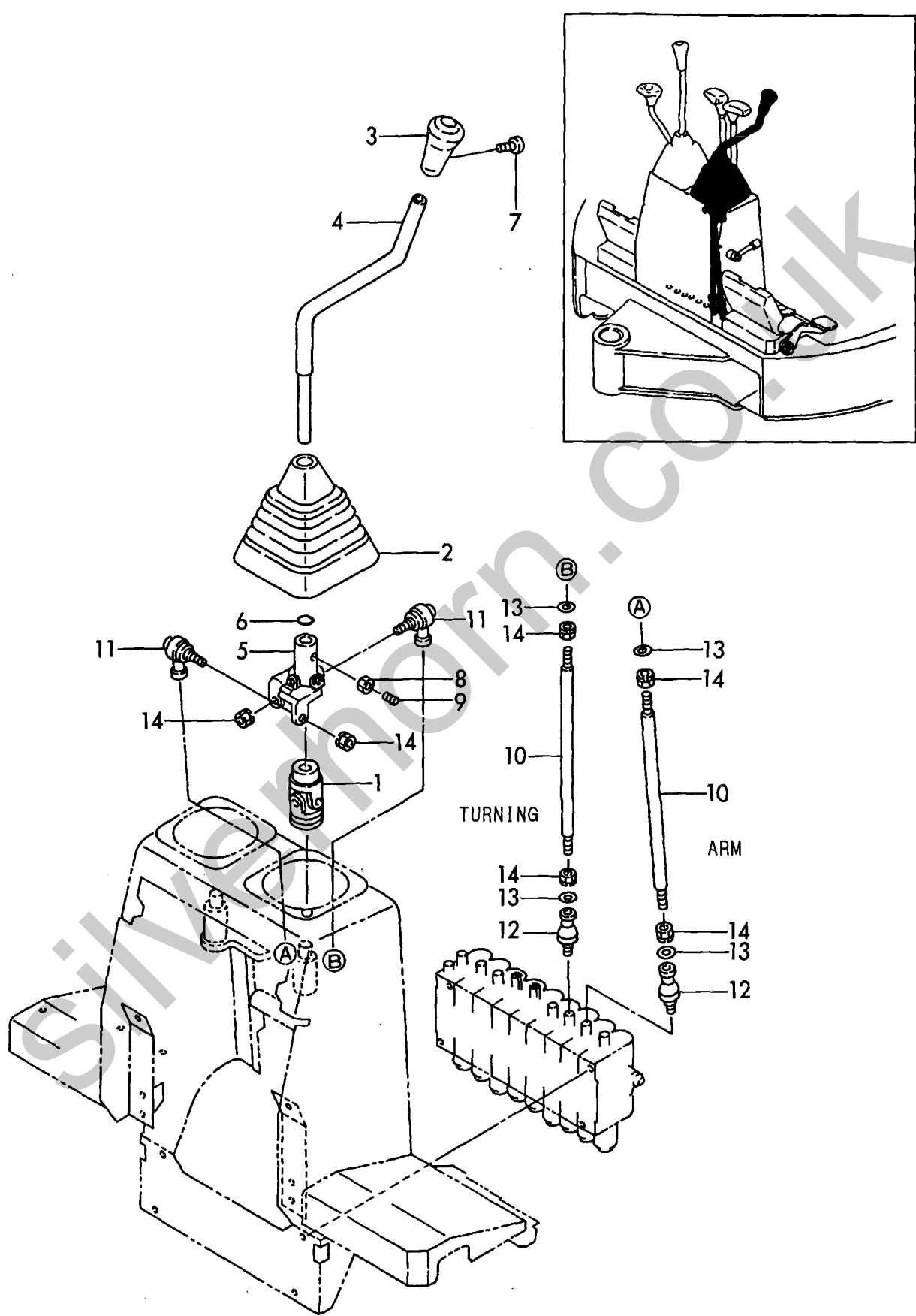
Fig. 13 CONTROL EQUIPMENT (BOOM & BUCKET)



1,1,,172141-41160,,JOINT,1,,,,,,,,,,,,,,,,,,,,,
2,1,,172151-45010,, "BOOT P,LEVER",1,,,,,,,,,,,,,,,,,,,,,
3,1,,172165-45071,, "KNOB (L) ASSY",1,,,,,,,,,,,,,,,,,,,,,
4,1,,172183-45100,, "LEVER L COMPL.",1,,,,,,,,,,,,,,,,,,,,,
5,1,,172183-45130,, "LEVER L,LINK",1,,,,,,,,,,,,,,,,,,,,,
6,1,,24311-000140,, "O-RING 1A P-14.0",1,,,,,,,,,,,,,,,,,,,,,
7,1,,26587-040062,, "SCREW M 4X 6",1,,,,,,,,,,,,,,,,,,,,,
8,1,,26756-080002,, "LOCK NUT M 8 PLATED",1,,,,,,,,,,,,,,,,,,,,,
9,1,,26979-080162,, "SCREW M 8X16",1,,,,,,,,,,,,,,,,,,,,,
10,1,,172183-45850,, "ROD 315",2,,,,,,,,,,,,,,,,,,,,,
11,1,,172122-46590,, "ELBALL 8",2,,,,,,,,,,,,,,,,,,,,,
12,1,,172122-47250,, "BALL 8, LINK",2,,,,,,,,,,,,,,,,,,,,,
13,1,,22137-080000,, "WASHER 8, POLISHED",4,,,,,,,,,,,,,,,,,,,,,
14,1,,26051-080002,, "NUT M 8",6,,,,,,,,,,,,,,,,,,,,,

Silverhorn.CO.UK

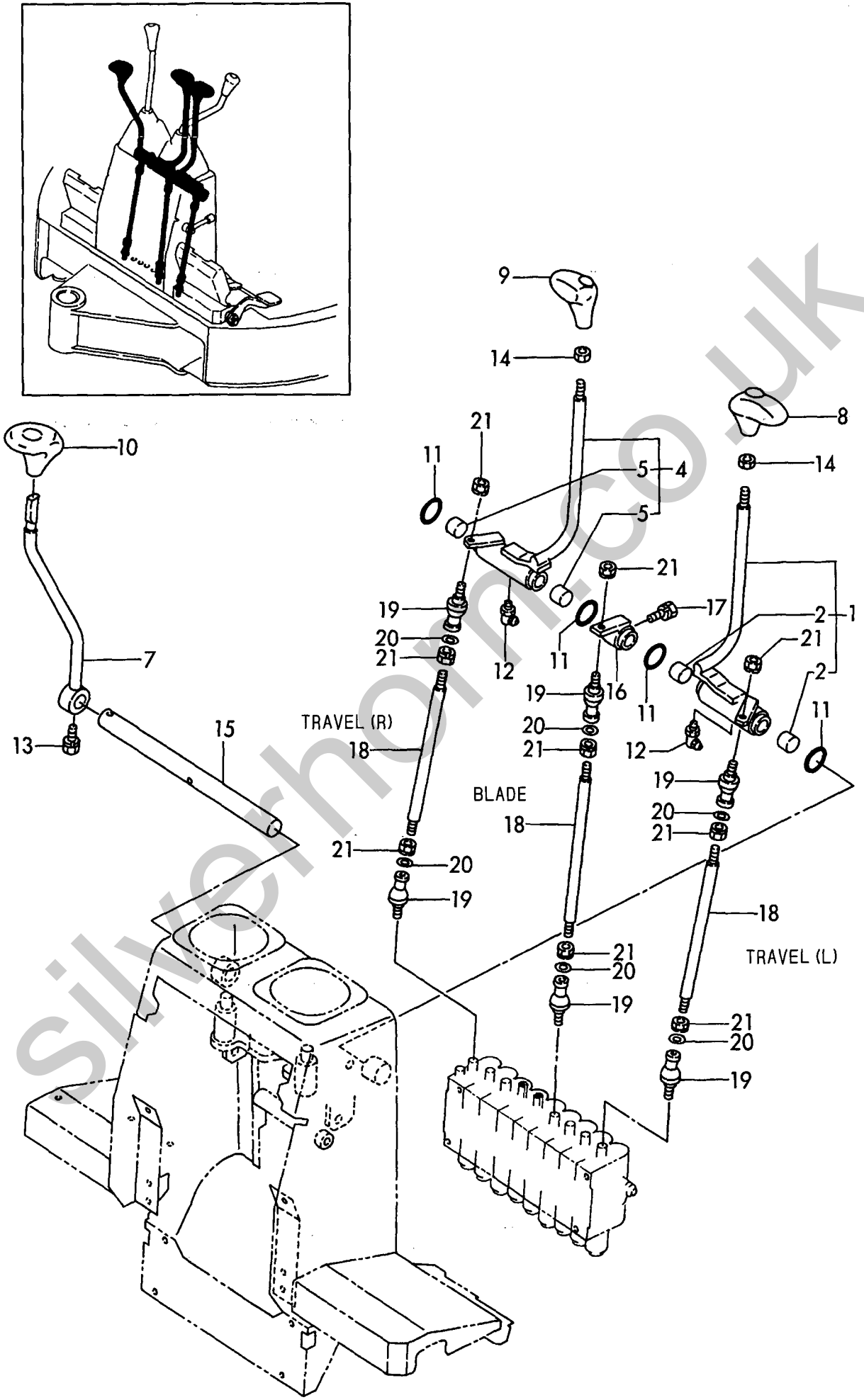
Fig. 14 CONTROL EQUIPMENT (ARM & TURNING)



1,1,,172183-45010,, "LEVER ASSY.,TRACK L",1,,,,,,,,,,,,,,,,,
2,2,,172141-41370,, "BUSH 2015",2,,,,,,,,,,,,,,,,,
4,1,,172183-45060,, "LEVER ASSY.,TRACK R",1,,,,,,,,,,,,,,,,,
5,2,,172141-41370,, "BUSH 2015",2,,,,,,,,,,,,,,,,,
7,1,,172183-45170,, "LEVER COMP.,BLADE",1,,,,,,,,,,,,,,,,,
8,1,,172164-45951,, "GRIP L, DRIV.",1,,,,,,,,,,,,,,,,,
9,1,,172164-45961,, "GRIP R, DRIV.",1,,,,,,,,,,,,,,,,,
10,1,,172164-45970,, "GRIP, BLADE",1,,,,,,,,,,,,,,,,,
11,1,,172124-46200,, "O-RING 27X5.7",4,,,,,,,,,,,,,,,,,
12,1,,24761-050000,, "NIPPLE C,GREASE",2,,,,,,,,,,,,,,,,,
13,1,,26013-080252,, "BOLT M 8X 25",1,,,,,,,,,,,,,,,,,
14,1,,26736-100002,, "NUT M10",2,,,,,,,,,,,,,,,,,
15,1,,172183-45200,, "SHAFT,LINK",1,,,,,,,,,,,,,,,,,
16,1,,172183-45320,, "LINK COMP.,BLADE",1,,,,,,,,,,,,,,,,,
17,1,,26013-080252,, "BOLT M 8X 25",1,,,,,,,,,,,,,,,,,
18,1,,172183-45860,, "ROD 285",3,,,,,,,,,,,,,,,,,
19,1,,172122-47250,, "BALL 8, LINK",6,,,,,,,,,,,,,,,,,
20,1,,22137-080000,, "WASHER 8, POLISHED",6,,,,,,,,,,,,,,,,,
21,1,,26051-080002,, "NUT M 8",9,,,,,,,,,,,,,,,,,

Silverhorn.CO.UK

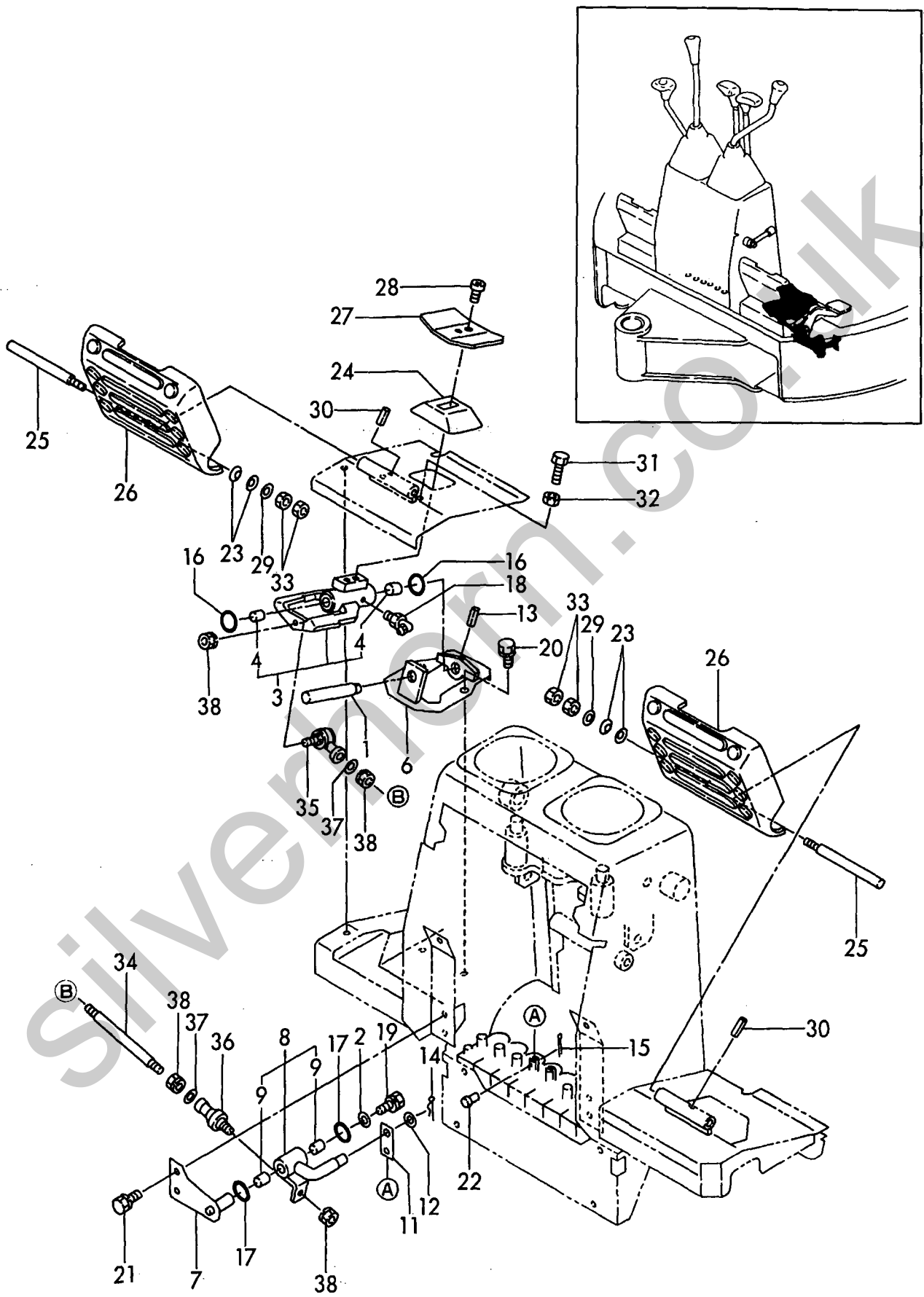
Fig. 15 CONTROL EQUIPMENT (DRIVING & BLADE)



1,1,,172146-41910,, "PIN 14-100",1,,,,,,,,,,,,,,,,,,,,,
2,1,,1A1040-43900,, "SPRING WASHER",1,,,,,,,,,,,,,,,,,,,,,
3,1,,172183-45210,, "LINK W/BUSH, PEDAL",1,,,,,,,,,,,,,,,,,,,,,
4,2,,172141-41360,, "BUSH 1415",2,,,,,,,,,,,,,,,,,,,,,
6,1,,172183-45240,, "BRACKET, PEDAL",1,,,,,,,,,,,,,,,,,,,,,
7,1,,172183-45261,, "SHAFT COMP., SWING",1,,,,,,,,,,,,,,,,,,,,,
8,1,,172183-45281,, "LINK ASSY., SWING",1,,,,,,,,,,,,,,,,,,,,,
9,2,,172141-41360,, "BUSH 1415",2,,,,,,,,,,,,,,,,,,,,,
11,1,,172156-46340,, "ROD, SPOOL",1,,,,,,,,,,,,,,,,,,,,,
12,1,,22137-120000,, "WASHER 12, POLISHED",1,,,,,,,,,,,,,,,,,,,,,
13,1,,22351-040032,, "SPRING PIN 4X32",1,,,,,,,,,,,,,,,,,,,,,
14,1,,22372-120000,, "SNAP PIN 12",1,,,,,,,,,,,,,,,,,,,,,
15,1,,22417-160160,, "COTTER PIN 1.6X16",1,,,,,,,,,,,,,,,,,,,,,
16,1,,24311-000210,, "O-RING 1A P-21.0",2,,,,,,,,,,,,,,,,,,,,,
17,1,,24311-000210,, "O-RING 1A P-21.0",2,,,,,,,,,,,,,,,,,,,,,
18,1,,24761-050000,, "NIPPLE C, GREASE",1,,,,,,,,,,,,,,,,,,,,,
19,1,,26013-080202,, "BOLT W/WASHER M8X20",1,,,,,,,,,,,,,,,,,,,,,
20,1,,26013-100202,, "BOLT W/WASHER M10X20",2,,,,,,,,,,,,,,,,,,,,,
21,1,,26013-100252,, "BOLT W/WASHER M10X25",2,,,,,,,,,,,,,,,,,,,,,
22,1,,933110-54100,, "PIN 4.75X14",1,,,,,,,,,,,,,,,,,,,,,
23,1,,172068-28490,, "SPRING 8",4,,,,,,,,,,,,,,,,,,,,,
24,1,,172157-45990,, "BOOTS, PEDAL",1,,,,,,,,,,,,,,,,,,,,,
25,1,,172165-46230,, "SHAFT, SWING",2,,,,,,,,,,,,,,,,,,,,,
26,1,,172165-46261,, "COVER, PEDAL",2,,,,,,,,,,,,,,,,,,,,,
27,1,,172165-46281,, "PEDAL ASSY, SWING",1,,,,,,,,,,,,,,,,,,,,,
28,1,,172165-46340,, "BOLT",2,,,,,,,,,,,,,,,,,,,,,
29,1,,22137-080000,, "WASHER 8, POLISHED",2,,,,,,,,,,,,,,,,,,,,,
30,1,,22351-040020,, "SPRING PIN 4X20",2,,,,,,,,,,,,,,,,,,,,,
31,1,,26116-080304,, "BOLT M8 X 30 PLATED",2,,,,,,,,,,,,,,,,,,,,,
32,1,,26716-080002,, "NUT M 8",2,,,,,,,,,,,,,,,,,,,,,
33,1,,26716-080002,, "NUT M 8",4,,,,,,,,,,,,,,,,,,,,,
34,1,,172150-42600,, "ROD(RA)",1,,,,,,,,,,,,,,,,,,,,,
35,1,,172122-46590,, "ELBALL 8",1,,,,,,,,,,,,,,,,,,,,,
36,1,,172122-47250,, "BALL 8, LINK",1,,,,,,,,,,,,,,,,,,,,,
37,1,,22137-080000,, "WASHER 8, POLISHED",2,,,,,,,,,,,,,,,,,,,,,
38,1,,26051-080002,, "NUT M 8",4,,,,,,,,,,,,,,,,,,,,,



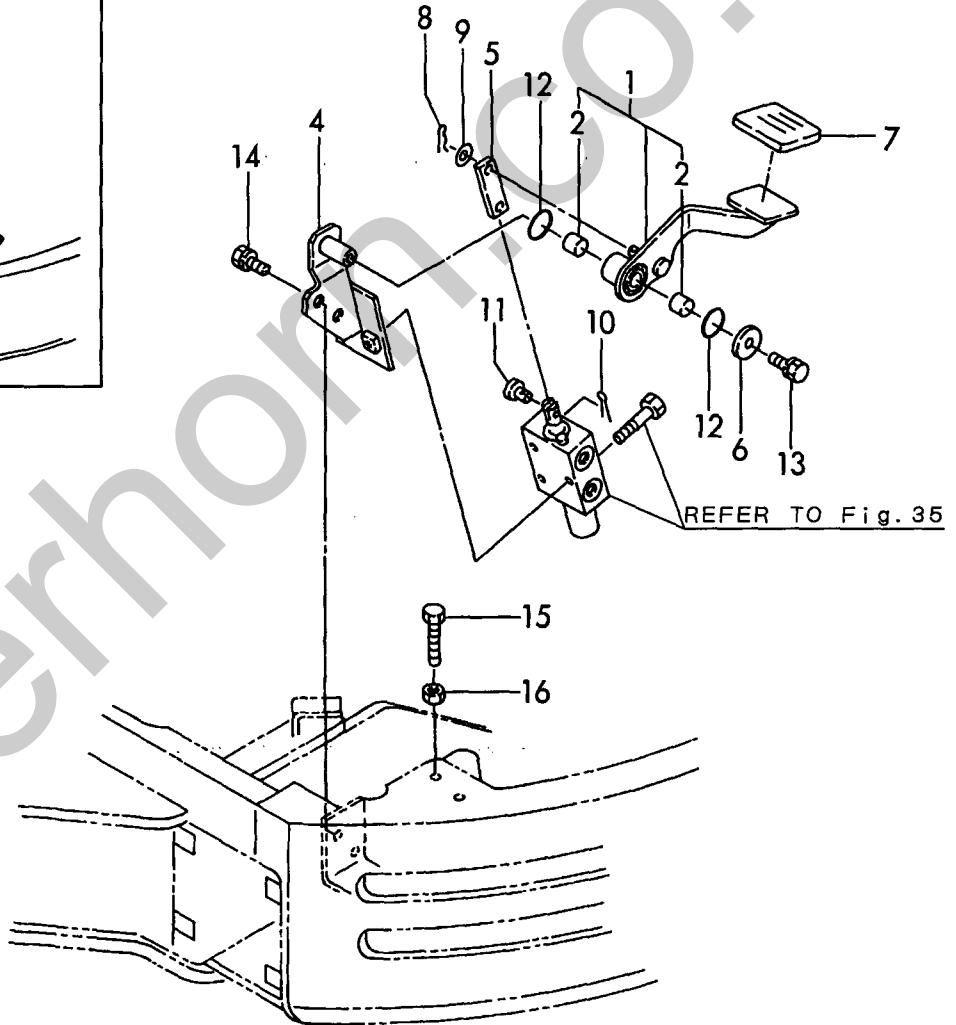
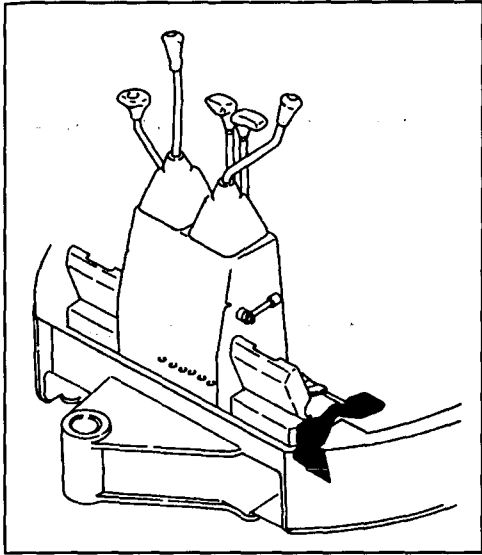
Fig. 16 CONTROL EQUIPMENT (SWING)



1,1,,172183-41700,, "PEDAL ASSY.,LOW-HIGH",1,,,,,,,,,,,,,,,,,
2,2,,172141-41360,, "BUSH 1415",2,,,,,,,,,,,,,,,,,
4,1,,172183-41760,, "BRACKET COMP.,LOW-HI",1,,,,,,,,,,,,,,,,,
5,1,,172183-41820,, "LINK,LOW-HIGH",1,,,,,,,,,,,,,,,,,
6,1,,1A1040-43900,, "SPRING WASHER",1,,,,,,,,,,,,,,,,,
7,1,,172122-45830,, "PAD, METAL",1,,,,,,,,,,,,,,,,,
8,1,,1C6281-52320,, "PIN 8,COME-OFF SNAP",1,,,,,,,,,,,,,,,,,
9,1,,22137-080000,, "WASHER 8, POLISHED",1,,,,,,,,,,,,,,,,,
10,1,,22417-160160,, "COTTER PIN 1.6X16",1,,,,,,,,,,,,,,,,,
11,1,,933110-54100,, "PIN 4.75X14",1,,,,,,,,,,,,,,,,,
12,1,,24311-000210,, "O-RING 1A P-21.0",2,,,,,,,,,,,,,,,,,
13,1,,26013-080202,, "BOLT W/WASHER M8X20",1,,,,,,,,,,,,,,,,,
14,1,,26013-100252,, "BOLT W/WASHER M10X25",2,,,,,,,,,,,,,,,,,
15,1,,26116-100504,, "BOLT M10X 50 PLATED",1,,,,,,,,,,,,,,,,,
16,1,,26716-100002,, "NUT 10",1,,,,,,,,,,,,,,,,,

Silverhorn.CO.UK

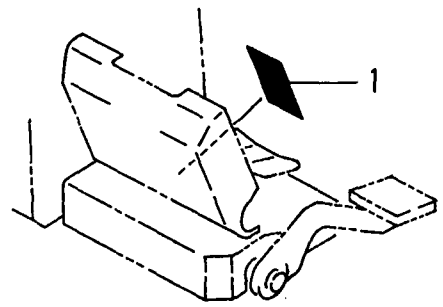
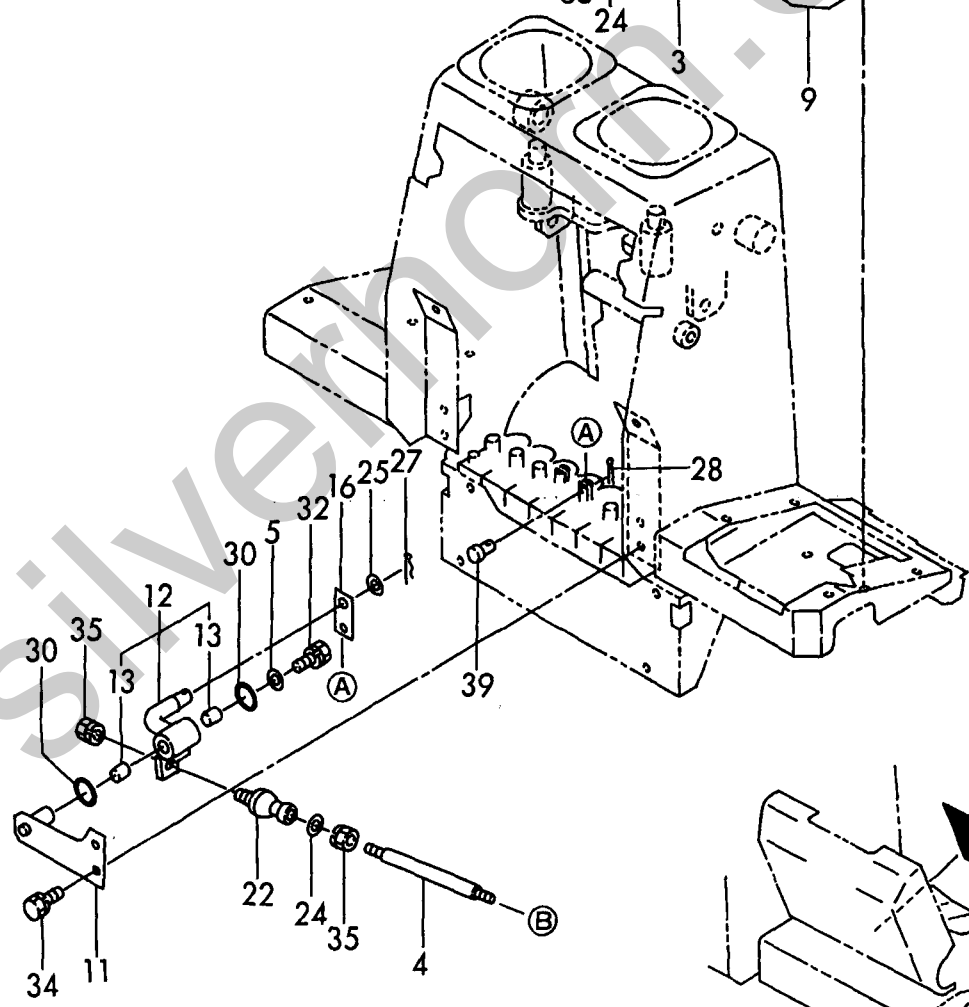
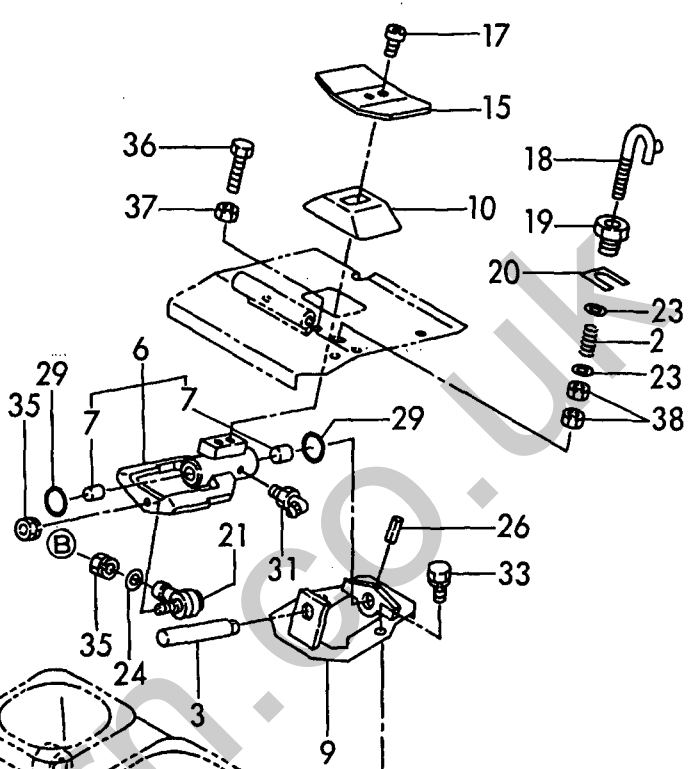
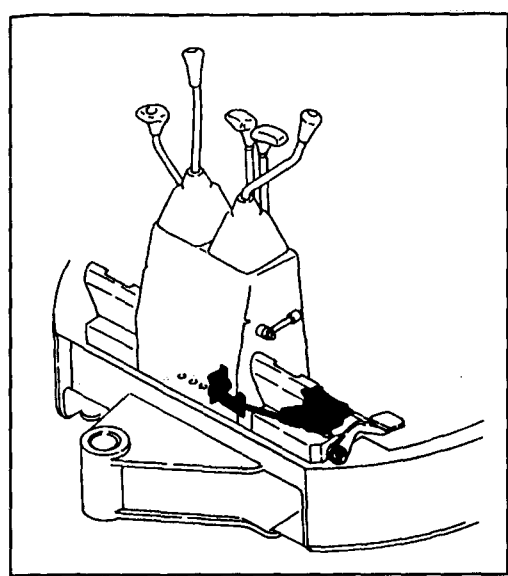
Fig. 17 CONTROL EQUIPMENT (LOW-HIGH PEDAL)



1,1,,172165-03231,, "LABEL, P.T.O.",1,,,,,,,,,,,,,,,,,,,,,
2,1,,1C6141-35370,, "SPRING, LOCK",1,,,,,,,,,,,,,,,,,,,,,
3,1,,172146-41910,, "PIN 14-100",1,,,,,,,,,,,,,,,,,,,,,
4,1,,172150-42630,, "ROD(B), BUCKET",1,,,,,,,,,,,,,,,,,,,,,
5,1,,1A1040-43900,, "SPRING WASHER",1,,,,,,,,,,,,,,,,,,,,,
6,1,,172183-45210,, "LINK W/BUSH, PEDAL",1,,,,,,,,,,,,,,,,,,,,,
7,2,,172141-41360,, "BUSH 1415",2,,,,,,,,,,,,,,,,,,,,,
9,1,,172183-45240,, "BRACKET, PEDAL",1,,,,,,,,,,,,,,,,,,,,,
10,1,,172157-45990,, "BOOTS, PEDAL",1,,,,,,,,,,,,,,,,,,,,,
11,1,,172183-46100,, "SHAFT COMP., P.T.O.",1,,,,,,,,,,,,,,,,,,,,,
12,1,,172183-46120,, "LINK ASSY., P.T.O.",1,,,,,,,,,,,,,,,,,,,,,
13,2,,172141-41360,, "BUSH 1415",2,,,,,,,,,,,,,,,,,,,,,
15,1,,172165-46281,, "PEDAL ASSY, SWING",1,,,,,,,,,,,,,,,,,,,,,
16,1,,172156-46340,, "ROD, SPOOL",1,,,,,,,,,,,,,,,,,,,,,
17,1,,172165-46340,, BOLT,2,,,,,,,,,,,,,,,,,,,,,
18,1,,172165-46450,, "LOCK CMP",1,,,,,,,,,,,,,,,,,,,,,
19,1,,172165-46480,, BOLT,1,,,,,,,,,,,,,,,,,,,,,
20,1,,172165-46490,, SHIM,5,,,,,,,,,,,,,,,,,,,,,
21,1,,172122-46590,, "ELBALL 8",1,,,,,,,,,,,,,,,,,,,,,
22,1,,172122-47250,, "BALL 8, LINK",1,,,,,,,,,,,,,,,,,,,,,
23,1,,22137-080000,, "WASHER 8, POLISHED",2,,,,,,,,,,,,,,,,,,,,,
24,1,,22137-080000,, "WASHER 8, POLISHED",2,,,,,,,,,,,,,,,,,,,,,
25,1,,22137-120000,, "WASHER 12, POLISHED",1,,,,,,,,,,,,,,,,,,,,,
26,1,,22351-040032,, "SPRING PIN 4X32",1,,,,,,,,,,,,,,,,,,,,,
27,1,,22372-120000,, "SNAP PIN 12",1,,,,,,,,,,,,,,,,,,,,,
28,1,,22417-160160,, "COTTER PIN 1.6X16",1,,,,,,,,,,,,,,,,,,,,,
29,1,,24311-000210,, "O-RING 1A P-21.0",2,,,,,,,,,,,,,,,,,,,,,
30,1,,24311-000210,, "O-RING 1A P-21.0",2,,,,,,,,,,,,,,,,,,,,,
31,1,,24761-050000,, "NIPPLE C, GREASE",1,,,,,,,,,,,,,,,,,,,,,
32,1,,26013-080202,, "BOLT W/WASHER M8X20",1,,,,,,,,,,,,,,,,,,,,,
33,1,,26013-100202,, "BOLT W/WASHER M10X20",2,,,,,,,,,,,,,,,,,,,,,
34,1,,26013-100252,, "BOLT W/WASHER M10X25",2,,,,,,,,,,,,,,,,,,,,,
35,1,,26051-080002,, "NUT M 8",4,,,,,,,,,,,,,,,,,,,,,
36,1,,26116-080304,, "BOLT M8 X 30 PLATED",2,,,,,,,,,,,,,,,,,,,,,
37,1,,26716-080002,, "NUT M 8",2,,,,,,,,,,,,,,,,,,,,,
38,1,,26716-080002,, "NUT M 8",2,,,,,,,,,,,,,,,,,,,,,
39,1,,933110-54100,, "PIN 4.75X14",1,,,,,,,,,,,,,,,,,,,,,



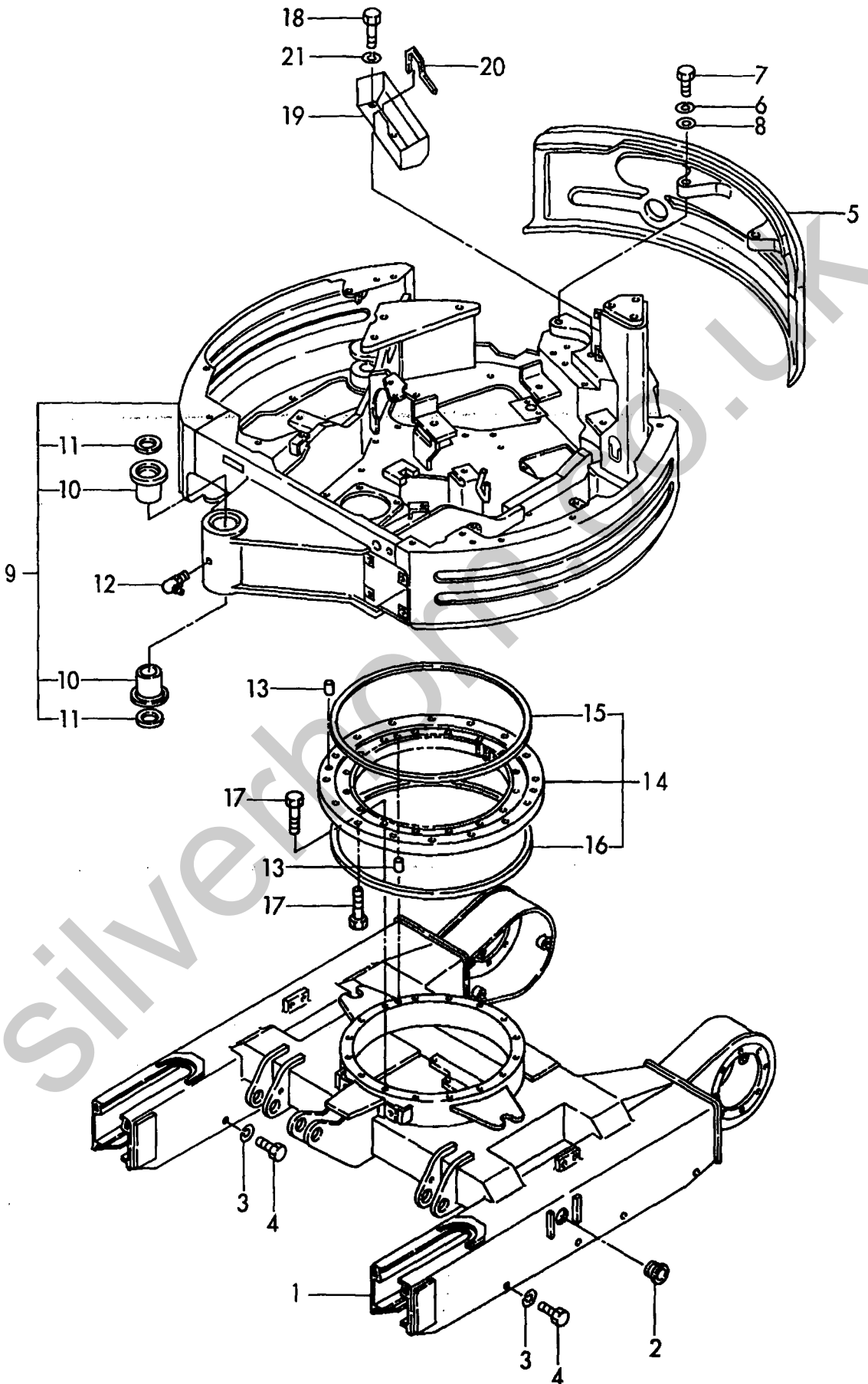
Fig. 18 CONTROL EQUIPMENT (P. T. O. CONTROL)



1,1,,172183-50101,, "FRAME, LOWER",1,,,,,,,,,,,,,,,,,,,,,
1-1,1,,172183-50101-1,, "FRAME,LOWER",1,,,,,,S,,72183222,M/#02518,,,,,,,,,,,,,I
1-2,1,,172183-50101-2,, "FRAME,LOWER",1,,,,,,S,,72438003,M/#02637,,,,,,,,,,,,,I
2,1,,172141-50890,,GROMMET,2,,,,,,,,,,,,,,,,,,,,,
3,1,,22217-120000,, "SPRING WASHER",16,,,,,,,,,,,,,,,,,,,,,
4,1,,26116-120252,, "BOLT M12X 25 PLATED",16,,,,,,,,,,,,,,,,,,,,,
5,1,,172183-53300,, "WEIGHT,COUNTER",1,,,,,,,,,,,,,,,,,,,,,
5-1,1,,172183-53300-1,, "WEIGHT,COUNTER",1,,,,,,S,,72183222,M/#02518,,,,,,,,,,,,,I
5-2,1,,172183-53300-2,, "WEIGHT,COUNTER",1,,,,,,S,,72438003,M/#02637,,,,,,,,,,,,,I
6,1,,22217-140000,, "SPRING WASHER 14",2,,,,,,,,,,,,,,,,,,,,,
7,1,,26116-140602,, "BOLT M14X 60 PLATED",2,,,,,,,,,,,,,,,,,,,,,
8,1,,933169-23040,, "WASHER 15X40",2,,,,,,,,,,,,,,,,,,,,,
9,1,,172183-54101,, "FRAME W/BUSH,TURNING",1,,,,,,,,,,,,,,,,,,,,,
9-1,1,,172183-54101-1,, "FRAME
W/BUSH,TURNING",1,,,,,,S,,72438003,M/#02637,,,,,,,,,,,,,I
10,2,,172171-54750,, "BUSH 50X65",2,,,,,,,,,,,,,,,,,,,,,
11,2,,172165-81760,, "SEAL 50X60X4, DUST",2,,,,,,,,,,,,,,,,,,,,,
12,1,,24761-040000,, "NIPPLE B,GREASE",1,,,,,,,,,,,,,,,,,,,,,
13,1,,194940-24350,, "PIN 10X28,STRAIGHT",3,,,,,,,,,,,,,,,,,,,,,
14,1,,172183-57600,, "BEARING,SWING",1,,,,,,,,,,,,,,,,,,,,,
15,2,,172183-57620,, "SEAL A,TURNING",1,,,,,,,,,,,,,,,,,,,,,
16,2,,172183-57630,, "SEAL B,TURNING",1,,,,,,,,,,,,,,,,,,,,,
17,1,,172141-57650,, "BOLT M12X 55 PLATED",32,,,,,,,,,,,,,,,,,,,,,
18,1,,26116-100552,, "BOLT M10X 55 PLATED",2,,,,,,,,,,,,,,,,,,,,,
19,1,,172183-05300,, "BOX COMP.,TOOL",1,,,,,,,,,,,,,,,,,,,,,
20,1,,172183-05330,, "RUBBER 280,EDGE",1,,,,,,,,,,,,,,,,,,,,,
21,1,,22217-100000,, "SPRING WASHER 10",2,,,,,,,,,,,,,,,,,,,,,

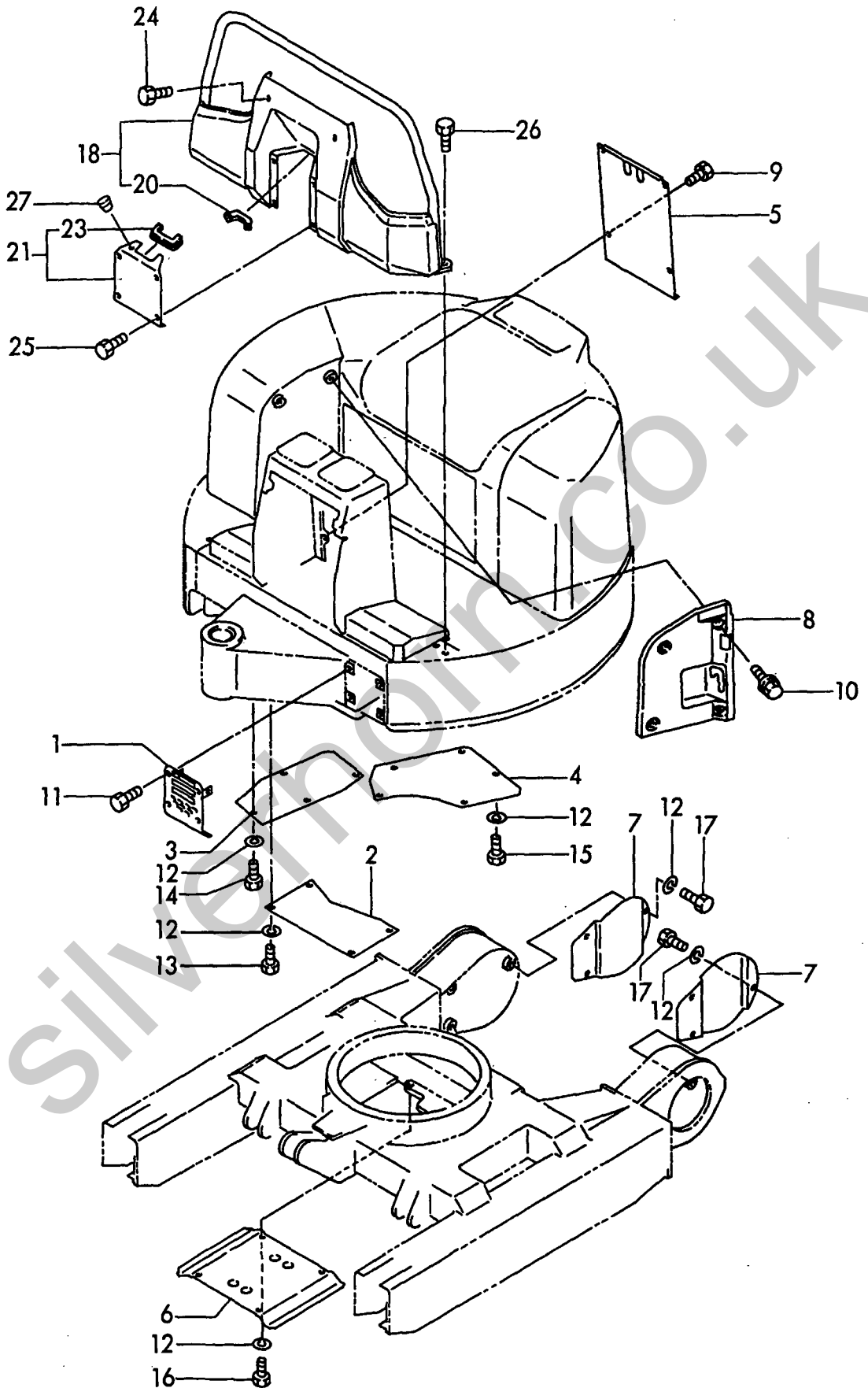


Fig. 19 FRAME & TURNING BEARING



1,1,,172183-61100,, "COVER COMP.,LAMP",1,,,,,,,,,,,,,
1-1,1,,172183-61100-1,, "COVER
COMP.,LAMP",1,,,,,,S,,72438003,M/#02637,,,,,,,,,,,,,I
2,1,,172183-61140,, "COVER,CV",1,,,,,,,,,,,,,
2-1,1,,172183-61140-1,, "COVER,CV",1,,,,,,S,,72438003,M/#02637,,,,,,,,,,,,,I
3,1,,172183-61150,, "COVER,RESERVOIR",1,,,,,,,,,,,,,
3-1,1,,172183-61150-1,, "COVER,RESERVOIR",1,,,,,,S,,72438003,M/#02637,,,,,,,,,,,,,I
4,1,,172183-61160,, "COVER,SILENCER",1,,,,,,,,,,,,,
4-1,1,,172183-61160-1,, "COVER,SILENCER",1,,,,,,S,,72438003,M/#02637,,,,,,,,,,,,,I
5,1,,172183-61170,, "COVER,STAND",1,,,,,,,,,,,,,
6,1,,172183-61180,, "COVER,UNDER",1,,,,,,,,,,,,,
6-1,1,,172183-61180-1,, "COVER,UNDER",1,,,,,,S,,72183222,M/#02518,,,,,,,,,,,,,I
6-2,1,,172183-61180-2,, "COVER,UNDER",1,,,,,,S,,72438003,M/#02637,,,,,,,,,,,,,I
7,1,,172183-61190,, "COVER,TRAVEL",2,,,,,,,,,,,,,
7-1,1,,172183-61190-1,, "COVER,TRAVEL",2,,,,,,S,,72183222,M/#02518,,,,,,,,,,,,,I
7-2,1,,172183-61190-2,, "COVER,TRAVEL",2,,,,,,S,,72438003,M/#02637,,,,,,,,,,,,,I
8,1,,172183-61200,, "COVER COMP.,RESERVR.",1,,,,,,,,,,,,,
8-1,1,,172183-61200-1,, "COVER
COMP.,RESERVR.",1,,,,,,S,,72438003,M/#02637,,,,,,,,,,,,,I
9,1,,172519-63240,, "BOLT 8X 16",4,,,,,,,,,,,,,
10,1,,172519-63240,, "BOLT 8X 16",4,,,,,,,,,,,,,
11,1,,172519-63240,, "BOLT 8X 16",4,,,,,,,,,,,,,
12,1,,22217-100000,, "SPRING WASHER 10",23,,,,,,,,,,,,,
13,1,,26116-100162,, "BOLT M10X 16 PLATED",4,,,,,,,,,,,,,
14,1,,26116-100162,, "BOLT M10X 16 PLATED",4,,,,,,,,,,,,,
15,1,,26116-100162,, "BOLT M10X 16 PLATED",5,,,,,,,,,,,,,
16,1,,26116-100202,, "BOLT M10X 20 PLATED",4,,,,,,,,,,,,,
17,1,,26116-100202,, "BOLT M10X 20 PLATED",6,,,,,,,,,,,,,
18,1,,172183-61370,, "COVER ASSY.,FRONT",1,,,,,,,,,,,,,
18-1,1,,172183-61370-1,, "COVER
ASSY.,FRONT",1,,,,,,S,,72438003,M/#02637,,,,,,,,,,,,,I
20,2,,172183-61360,, "RUBBER,EDGE",1,,,,,,,,,,,,,
21,1,,172183-61380,, "COVER ASSY.",1,,,,,,,,,,,,,
21-1,1,,172183-61380-1,, "COVER ASSY.",1,,,,,,S,,72438003,M/#02637,,,,,,,,,,,,,I
23,2,,172183-61350,, "RUBBER,EDGE",1,,,,,,,,,,,,,
24,1,,172519-63240,, "BOLT 8X 16",2,,,,,,,,,,,,,
25,1,,172519-63240,, "BOLT 8X 16",4,,,,,,,,,,,,,
26,1,,26013-120302,, "BOLT W/WASHER M12X30",2,,,,,,,,,,,,,
27,1,,933168-56000,, "GROMMET 17X19",1,,,,,,,,,,,,,

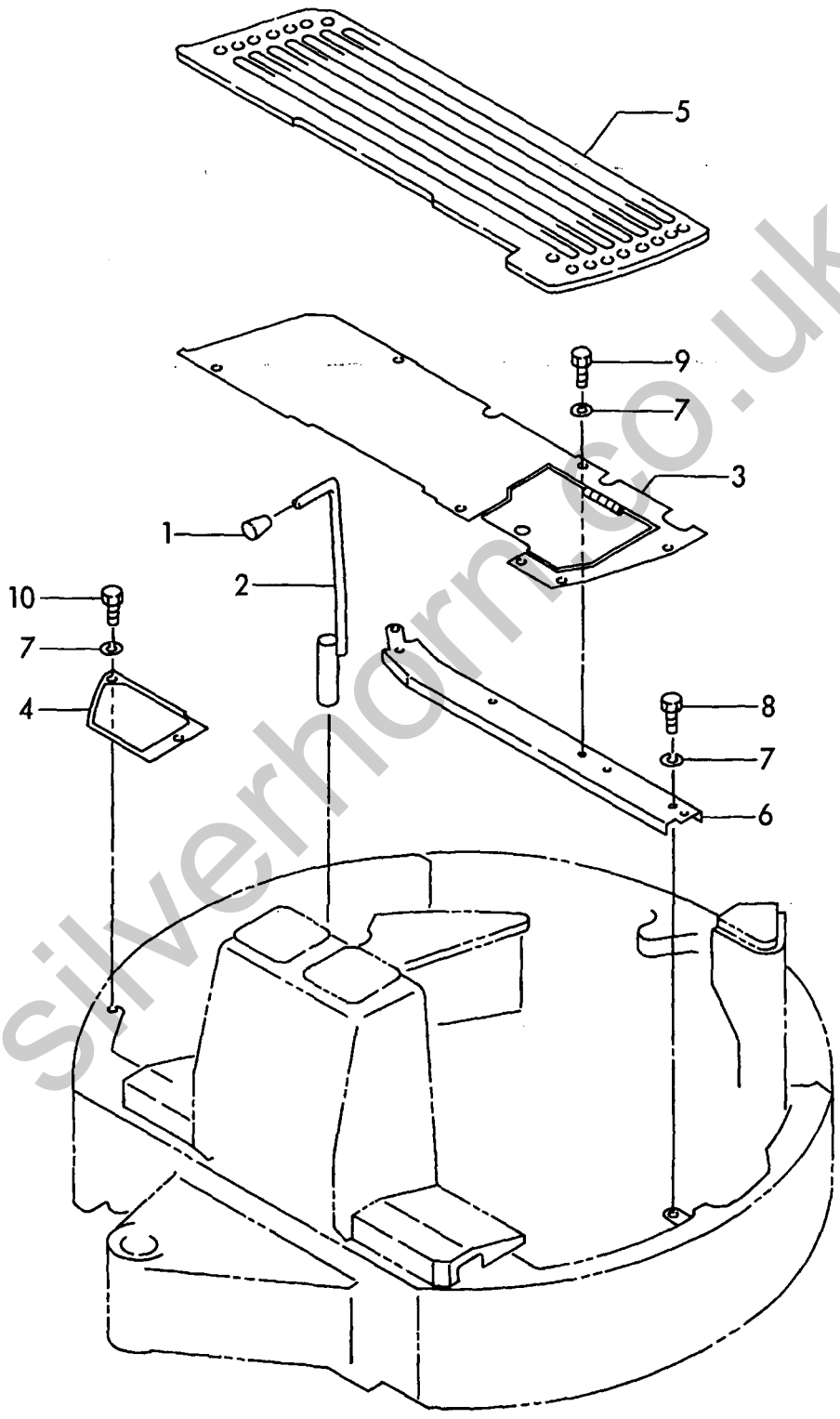
Fig. 20 FRAME COVER



1,1,,172116-46630,, "KNOB, LOCK LEVER",1,,,,,,,,,,,,,
2,1,,172183-58800,, "PIN COMP., LOCK",1,,,,,,,,,,,,,
3,1,,172183-62100,, "STEP COMPL.",1,,,,,,,,,,,,,
4,1,,172183-62170,, "STEP COMP., NS SIDE",1,,,,,,,,,,,,,
4-1,1,,172183-62170-1,, "STEP COMP., NS
SIDE",1,,,,,S,,72438003,M/#02637,,,,,,,,,,,,,I
5,1,,172183-62250,, "MAT, FLOOR",1,,,,,,,,,,,,,
6,1,,172183-62270,, "BAR COMP., STEP",1,,,,,,,,,,,,,
6-1,1,,172183-62270-1,, "BAR COMP., STEP",1,,,,,S,,72438003,M/#02637,,,,,,,,,,,,,I
7,1,,22217-100000,, "SPRING WASHER 10",9,,,,,,,,,,,,,
8,1,,26116-100202,, "BOLT M10X 20 PLATED",2,,,,,,,,,,,,,
9,1,,26116-100202,, "BOLT M10X 20 PLATED",5,,,,,,,,,,,,,
10,1,,26116-100202,, "BOLT M10X 20 PLATED",2,,,,,,,,,,,,,

Silverhorn.CO.UK

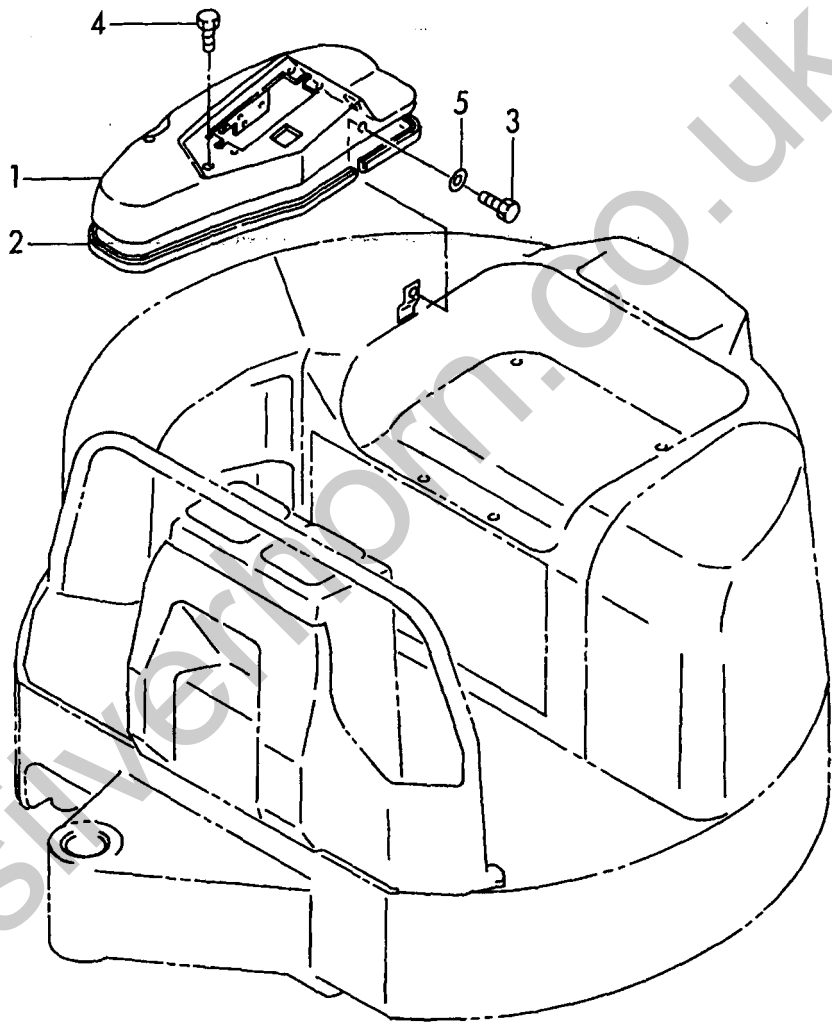
Fig. 21 STEP & TURNING LOCK PIN



1,1,,172183-63100,, "PANEL COMP., INSTRMNT",1,,,,,,,,,,,,,
1-1,1,,172183-63100-1,, "PANEL
COMP., INSTRMNT",1,,,,,S,,72438003,M/#02637,,,,,,,,,I
2,1,,172183-63141,, "MOLDINGS, INSTRUMENT",1,,,,,,,,,,,,,
3,1,,172519-63240,, "BOLT 8X 16",1,,,,,,,,,,,,,
4,1,,172519-63240,, "BOLT 8X 16",2,,,,,,,,,,,,,
5,1,,22157-080000,, "WASHER 8",1,,,,,,,,,,,,,

Silverhorn.CO.UK

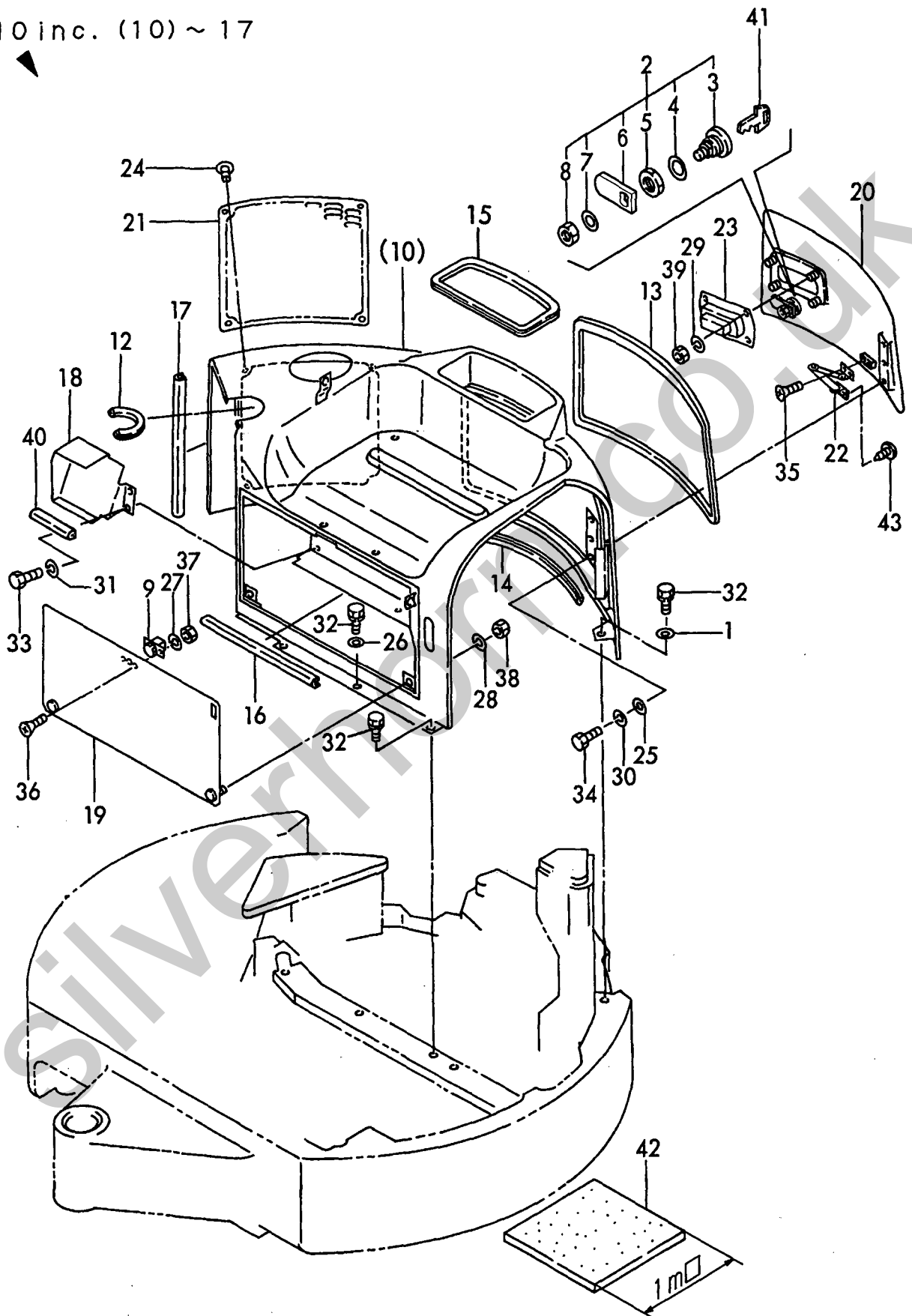
Fig. 22 INSTRUMENT PANEL



1,1,,194145-04810,, "WASHER 10",2,,,,,,,,,,,,,,,,,,,,,
2,1,,172122-05410,, "KEY ASSY",1,,,,,,,,,,,,,,,,,,,,,
3,2,,172122-05420,, KEY,1,,,,,,,,,,,,,,,,,,,,,
4,2,,172122-05430,, "WASHER 31X4",1,,,,,,,,,,,,,,,,,,,,,
5,2,,172122-05440,, "NUT 30X1.5X4.5",1,,,,,,,,,,,,,,,,,,,,,
6,2,,172183-65570,, LOCK,1,,,,,,,,,,,,,,,,,,,,,
7,2,,22137-100000,, "WASHER 10,POLISHED",1,,,,,,,,,,,,,,,,,,,,,
8,2,,26346-100002,, "U-NUT M10 PLATED",1,,,,,,,,,,,,,,,,,,,,,
9,1,,172212-61230,, "FASTENER, DIAL",1,,,,,,,,,,,,,,,,,,,,,
10,1,,172183-65101,, "BONNET ASSY.",1,,,,,,,,,,,,,,,,,,,,,
10-1,1,,172183-65101-1,, "BONNET ASSY.",1,,,,,S,,72438003,M/#02637,,,,,,I
12,2,,172519-65300,, RUBBER,1,,,,,,,,,,,,,,,,,,,,,
13,2,,172183-65520,, "RUBBER 1340,SEAL",1,,,,,,,,,,,,,,,,,,,,,
14,2,,172183-65530,, "RUBBER 815,SEAL",1,,,,,,,,,,,,,,,,,,,,,
15,2,,172183-65541,, "SEAL,CANOPY",1,,,,,,,,,,,,,,,,,,,,,
16,2,,172164-66480,, "RUBBER 340, SEAL",1,,,,,,,,,,,,,,,,,,,,,
17,2,,172183-65560,, "RUBBER 390,SEAL",1,,,,,,,,,,,,,,,,,,,,,
18,1,,172183-65371,, "PLATE,GREASE GUN",1,,,,,,,,,,,,,,,,,,,,,
18-1,1,,172183-65371-1,, "PLATE,GREASE
GUN",1,,,,,S,,72438003,M/#02637,,,,,,I
19,1,,172183-65401,, "COVER COMP.,B.F",1,,,,,,,,,,,,,,,,,,,,,
19-1,1,,172183-65401-1,, "COVER
COMP.,B.F",1,,,,,S,,72438003,M/#02637,,,,,,I
20,1,,172183-65430,, "COVER ASSY.,B.R",1,,,,,,,,,,,,,,,,,,,,,
20-1,1,,172183-65430-1,, "COVER
ASSY.,B.R",1,,,,,S,,72438003,M/#02637,,,,,,I
21,1,,172183-65440,, "GRILLE,WIND DISCHRG.",1,,,,,,,,,,,,,,,,,,,,,
21-1,1,,172183-65440-1,, "GRILLE,WIND
DISCHRG.",1,,,,,S,,72438003,M/#02637,,,,,,I
22,1,,172183-65500,, "LOCK,DOOR",1,,,,,,,,,,,,,,,,,,,,,
23,1,,172146-65750,, "COVER, LOCK",1,,,,,,,,,,,,,,,,,,,,,
24,1,,172519-63240,, "BOLT 8X 16",4,,,,,,,,,,,,,,,,,,,,,
25,1,,22137-080000,, "WASHER 8, POLISHED",3,,,,,,,,,,,,,,,,,,,,,
26,1,,22137-100000,, "WASHER 10,POLISHED",1,,,,,,,,,,,,,,,,,,,,,
27,1,,22217-050000,, "SPRING WASHER 5",2,,,,,,,,,,,,,,,,,,,,,
28,1,,22217-080000,, "SPRING WASHER 8",2,,,,,,,,,,,,,,,,,,,,,
29,1,,22217-080000,, "SPRING WASHER 8",4,,,,,,,,,,,,,,,,,,,,,
30,1,,22217-080000,, "SPRING WASHER 8",3,,,,,,,,,,,,,,,,,,,,,
31,1,,22217-080000,, "SPRING WASHER 8",2,,,,,,,,,,,,,,,,,,,,,
32,1,,26013-100302,, "BOLT M10X 30",5,,,,,,,,,,,,,,,,,,,,,
33,1,,26116-080162,, "BOLT 8X16",2,,,,,,,,,,,,,,,,,,,,,
34,1,,26116-080202,, "BOLT M 8X 20 PLATED",3,,,,,,,,,,,,,,,,,,,,,
35,1,,26577-030062,, "SCREW M3X6,FLUSH HD.",2,,,,,,,,,,,,,,,,,,,,,
36,1,,26577-050122,, "SCREW M 5X 12",2,,,,,,,,,,,,,,,,,,,,,
37,1,,26716-050002,, "NUT M 5",2,,,,,,,,,,,,,,,,,,,,,
38,1,,26716-080002,, "NUT M 8",2,,,,,,,,,,,,,,,,,,,,,
39,1,,26716-080002,, "NUT M 8",4,,,,,,,,,,,,,,,,,,,,,
40,1,,172164-66650,, "RUBBER, SEAL 95",1,,,,,,,,,,,,,,,,,,,,,
41,1,,933110-00301,, "KEY ASSY",1,,,,,,,,,,,,,,,,,,,,,
42,1,,933171-20390,, "LIGHT, EVER",1,,,,,,,,,,,,,,,,,,,,,
43,1,,22867-300080,, "SCREW 3X 8",2,,,,,,,,,,,,,,,,,,,,,

Fig. 23 BONNET

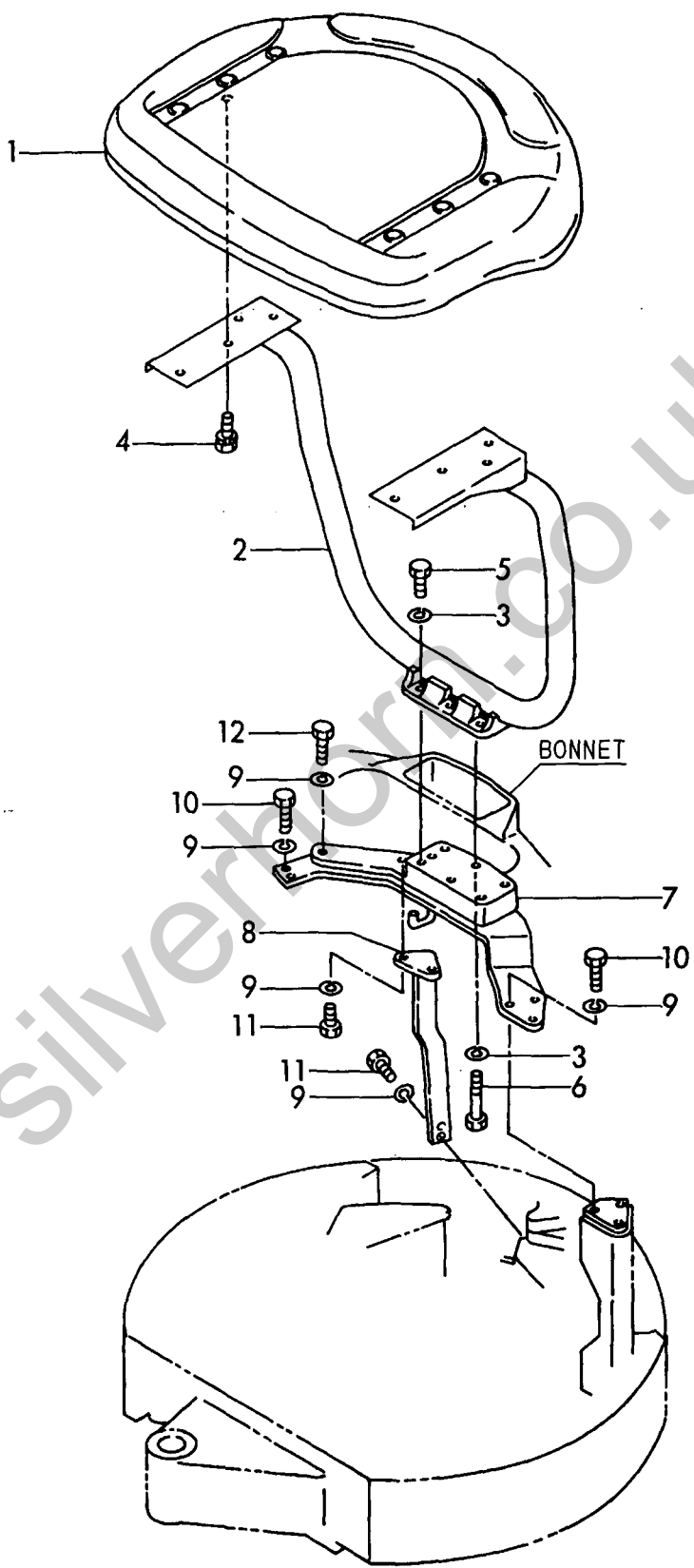
10 inc. (10) ~ 17



1,1,,172164-68100,, "ROOF,CANOPY(GREEN:96",1,,,,,,,,,,,,,
1-1,1,,172423-68100,, "ROOF,CANOPY",1,,,,,S,,72183222,M/#02518,,,,,,I
2,1,,172183-68100,, "POLE COMP.,CANOPY",1,,,,,,,,,,,,,
2-1,1,,172183-68100-1,, "POLE
ASSY.,CANOPY",1,,,,,S,,72183222,M/#02518,,,,,,I
2-2,1,,172183-68100-2,, "POLE
COMP.,CANOPY",1,,,,,S,,72438003,M/#02637,,,,,,I
3,1,,22217-160000,, "SPRING WASHER 16",6,,,,,,,,,,,,,
4,1,,26013-120302,, "BOLT W/WASHER M12X30",6,,,,,,,,,,,,,
5,1,,26116-160402,, "BOLT M16X 40 PLATED",3,,,,,,,,,,,,,
6,1,,26116-160952,, "BOLT M16X 95 PLATED",3,,,,,,,,,,,,,
7,1,,172183-68201,, "BASE COMP.,CANOPY",1,,,,,,,,,,,,,
7-1,1,,172183-68201-1,, "BASE
ASSY.,CANOPY",1,,,,,S,,72183222,M/#02518,,,,,,I
7-2,1,,172183-68201-2,, "BASE
COMP.,CANOPY",1,,,,,S,,72438003,M/#02637,,,,,,I
8,1,,172183-68260,, "STEP COMP.,CANOPY",1,,,,,,,,,,,,,
9,1,,22217-160000,, "SPRING WASHER 16",10,,,,,,,,,,,,,
10,1,,26116-160402,, "BOLT M16X 40 PLATED",5,,,,,,,,,,,,,
11,1,,26116-160402,, "BOLT M16X 40 PLATED",4,,,,,,,,,,,,,
12,1,,26116-160552,, "BOLT M16X 55 PLATED",1,,,,,,,,,,,,,

Silverhorn.CO.UK

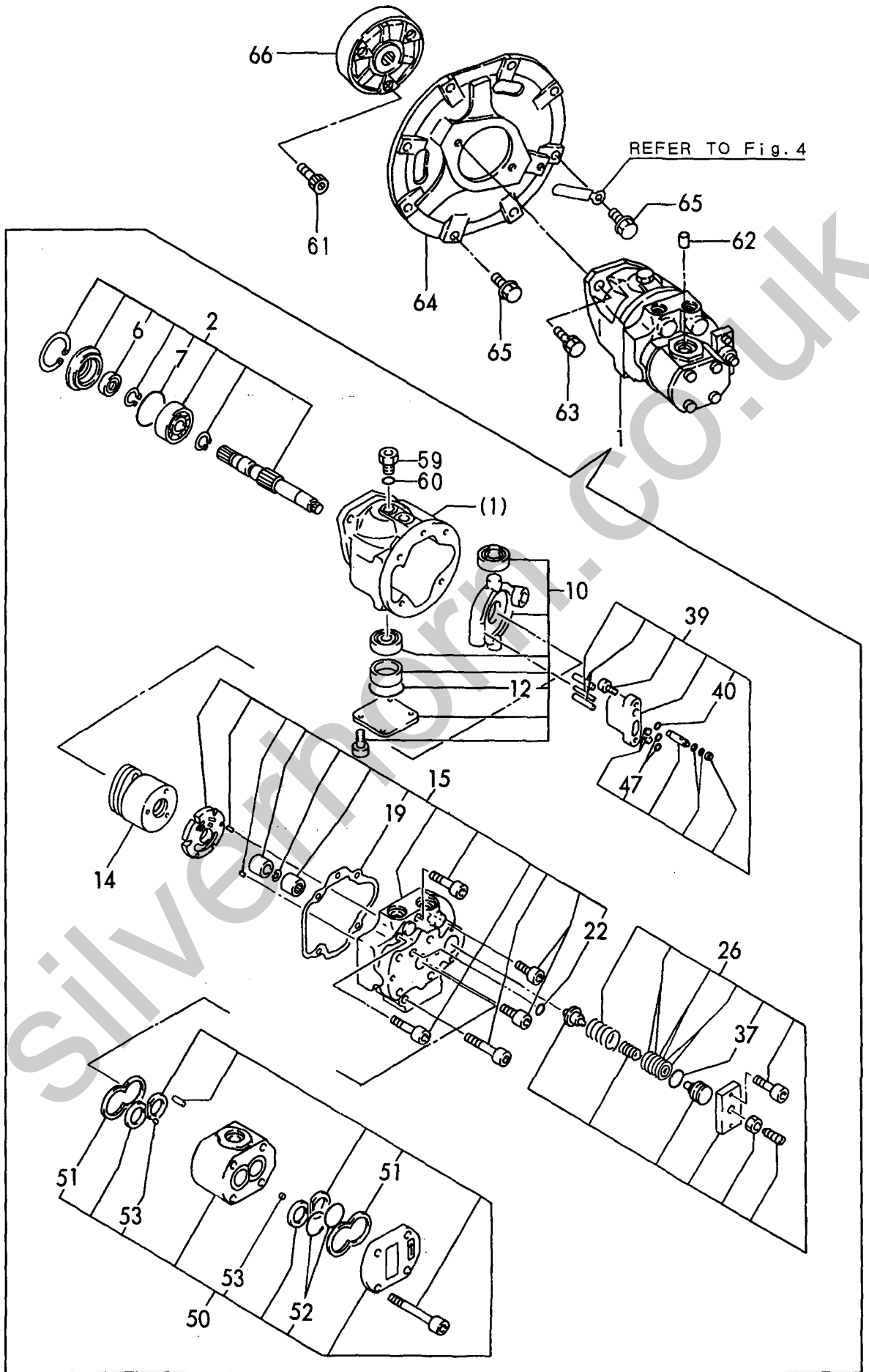
Fig. 24 CANOPY



1,1,,172179-73100,, "HYD.PUMP ASSY",1,,,,,,,,,,,,,,,,,,,,,
2,2,,172179-73110,, SHAFT.,1,,,,,,,,,,,,,,,,,,,,,
6,3,,172179-73230,, "SEAL TC13 28 7, OIL",1,,,,,,,,,,,,,,,,,,,,,
7,3,,172179-73240,, "GASKET,JOINT",1,,,,,,,,,,,,,,,,,,,,,
10,2,,172179-73120,, "HANGER COMPL.",1,,,,,,,,,,,,,,,,,,,,,
12,3,,24321-000450,, "O-RING 1A G-45.0",1,,,,,,,,,,,,,,,,,,,,,
14,2,,172179-73130,, "ROTORY SET",1,,,,,,,,,,,,,,,,,,,,,
15,2,,172179-73140,, "COVER, AIR CLEANER",1,,,,,,,,,,,,,,,,,,,,,
19,3,,172179-73280,, GASKET,1,,,,,,,,,,,,,,,,,,,,,
22,3,,24315-000080,, "O-RING 1B P-8.0",1,,,,,,,,,,,,,,,,,,,,,
26,2,,172179-73150,, "SPRING COMP.,CONTROL",1,,,,,,,,,,,,,,,,,,,,,
37,3,,24311-000260,, "O-RING 1A P-26.0",1,,,,,,,,,,,,,,,,,,,,,
39,2,,172179-73160,, "PISTON COMP.,CONTROL",1,,,,,,,,,,,,,,,,,,,,,
40,3,,172168-71510,, O-RING,1,,,,,,,,,,,,,,,,,,,,,
47,3,,172179-73540,, O-RING,2,,,,,,,,,,,,,,,,,,,,,
50,2,,172179-73170,, "PUMP ASSY, HYDL.OIL",1,,,,,,,,,,,,,,,,,,,,,
51,3,,172141-71520,, RING,2,,,,,,,,,,,,,,,,,,,,,
52,3,,172141-71550,, O-RING,2,,,,,,,,,,,,,,,,,,,,,
53,3,,172141-71560,, RING,2,,,,,,,,,,,,,,,,,,,,,
59,2,,172179-73190,, BUSHING,1,,,,,,,,,,,,,,,,,,,,,
60,2,,24315-000140,, "O-RING 1B P-14.0",1,,,,,,,,,,,,,,,,,,,,,
61,1,,26450-100352,, "BOLT M10X 35",3,,,,,,,,,,,,,,,,,,,,,
62,1,,172164-73110,, VALVE,1,,,,,,,,,,,,,,,,,,,,,
63,1,,26013-120252,, "BOLT M12X 25",2,,,,,,,,,,,,,,,,,,,,,
64,1,,172183-71100,, "MOUNT,PUMP",1,,,,,,,,,,,,,,,,,,,,,
65,1,,26013-100252,, "BOLT W/WASHER M10X25",8,,,,,,,,,,,,,,,,,,,,,
66,1,,172179-71200,, "COUPLING,PUMP",1,,,,,,,,,,,,,,,,,,,,,

Silverhorn.CO.UK

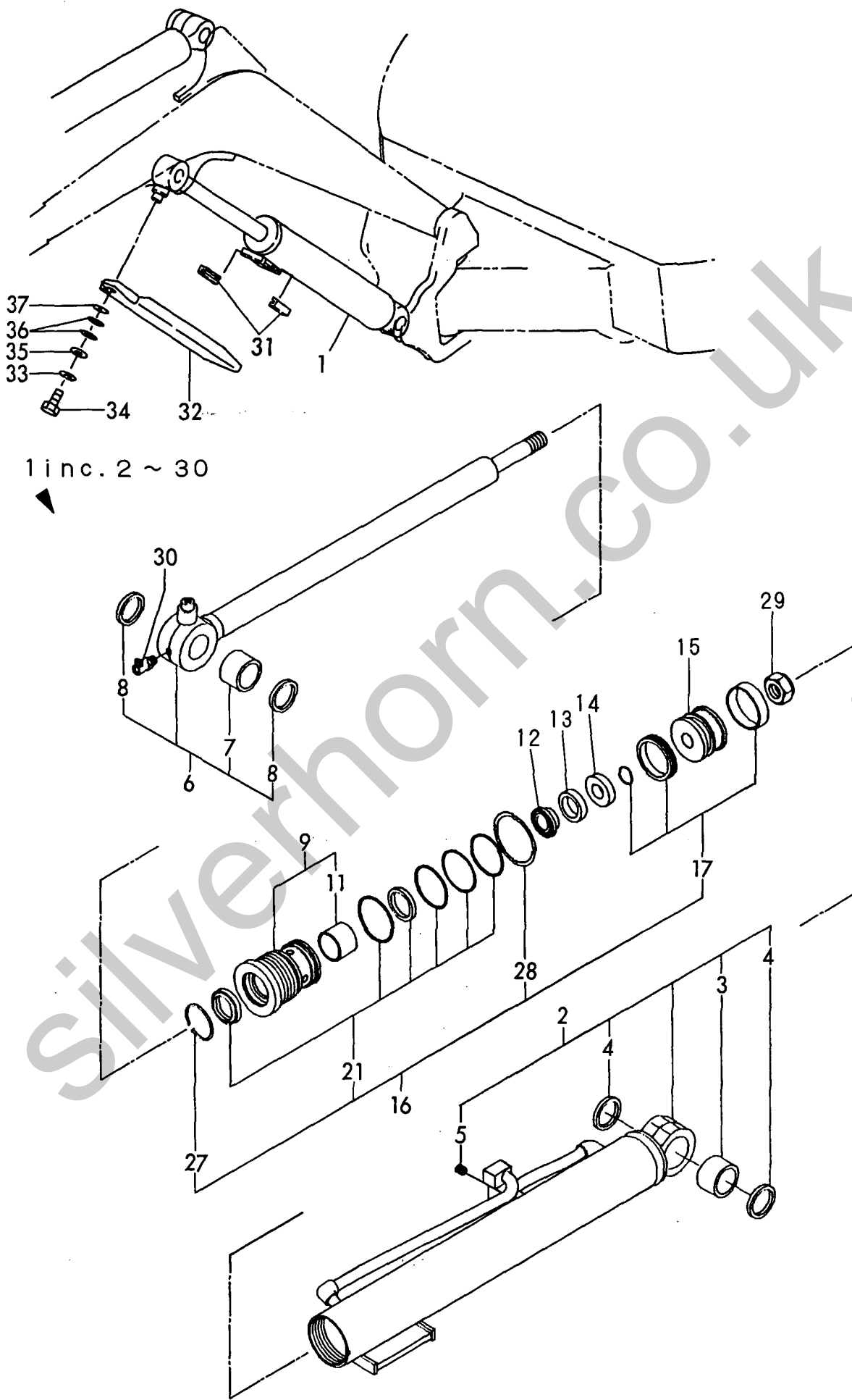
Fig. 25 HYD.OIL PUMP & JOINT



1,1,,172149-72102-4,, "CYLINDER, BOOM",1,,,,,,,,,,,,,,,,,,,,,
1-1,1,,172149-72102-1,, "CYLINDER, BOOM",1,,,,,,S,,72438003,M/#02637,,,,,,,,,,,,,I
2,2,,172149-72112-4,, "TUBE COMP.,BOOM",1,,,,,,,,,,,,,,,,,,,,,
2-1,2,,172149-72112-1,, "TUBE COMP.,BOOM",1,,,,,,S,,72438003,M/#02637,,,,,,,,,,,,,I
3,3,,172141-72561,, "BUSH 35 40 A, PIN",1,,,,,,,,,,,,,,,,,,,,,
4,3,,172171-81280,, "SEAL 35X45X4",2,,,,,,,,,,,,,,,,,,,,,
5,3,,23871-010000,, "PLUG PT1/8,SCREW",1,,,,,,,,,,,,,,,,,,,,,
6,2,,172149-72202,, "ROD COMP.,BOOM",1,,,,,,,,,,,,,,,,,,,,,
7,3,,172141-72561,, "BUSH 35 40 A, PIN",1,,,,,,,,,,,,,,,,,,,,,
8,3,,172171-81280,, "SEAL 35X45X4",2,,,,,,,,,,,,,,,,,,,,,
9,2,,172149-72241,, "HEAD 6035 COMPL.",1,,,,,,,,,,,,,,,,,,,,,
11,3,,933111-01600,, "BUSH 35 30, ROD",1,,,,,,,,,,,,,,,,,,,,,
12,2,,172137-72251,, "SUPPORT",1,,,,,,,,,,,,,,,,,,,,,
13,2,,172137-72261,, "RING 41, CUSHION",1,,,,,,,,,,,,,,,,,,,,,
14,2,,172137-72272,, "COLLAR 41B, CUSHION",1,,,,,,,,,,,,,,,,,,,,,
15,2,,172171-72120,, "PISTON",1,,,,,,,,,,,,,,,,,,,,,
16,2,,172149-99341,, "BOOMCYLINDER SET",1,,,,,,,,,,,,,,,,,,,,,
17,3,,172137-72462,, "SEAL SET 60B, PISTON",1,,,,,,M,,,,,,,,,,,,,
17-1,3,,172137-72463,, "SEAL SET, PISTON",1,,,,,,,,,,,,,,,,,,,,,I
21,3,,172149-72011,, "SEAL SET, HEAD",1,,,,,,,,,,,,,,,,,,,,,
27,3,,172141-73090,, "RING 50, SPRING",1,,,,,,,,,,,,,,,,,,,,,
28,3,,933125-59600,, "WASHER 60 B, LOCK",1,,,,,,,,,,,,,,,,,,,,,
29,2,,172171-72130,, "U-NUT M24",1,,,,,,,,,,,,,,,,,,,,,
30,2,,24761-040000,, "NIPPLE B,GREASE",1,,,,,,,,,,,,,,,,,,,,,
31,1,,172162-61770,, "GUIDE,SLIDE",2,,,,,,,,,,,,,,,,,,,,,
32,1,,172149-72650-4,, "COVER, SLIDE",1,,,,,,,,,,,,,,,,,,,,,
32-1,1,,172149-72650-1,, "COVER, SLIDE",1,,,,,,S,,72438003,M/#02637,,,,,,,,,,,,,I
33,1,,22217-100000,, "SPRING WASHER 10",1,,,,,,,,,,,,,,,,,,,,,
34,1,,26116-100202,, "BOLT M10X 20 PLATED",1,,,,,,,,,,,,,,,,,,,,,
35,1,,933147-03400,, "WASHER, BRAKE ARM",1,,,,,,,,,,,,,,,,,,,,,
36,1,,933168-14170,, "SPRING 16",2,,,,,,,,,,,,,,,,,,,,,
37,1,,172149-72750,, "SPACER",1,,,,,,,,,,,,,,,,,,,,,



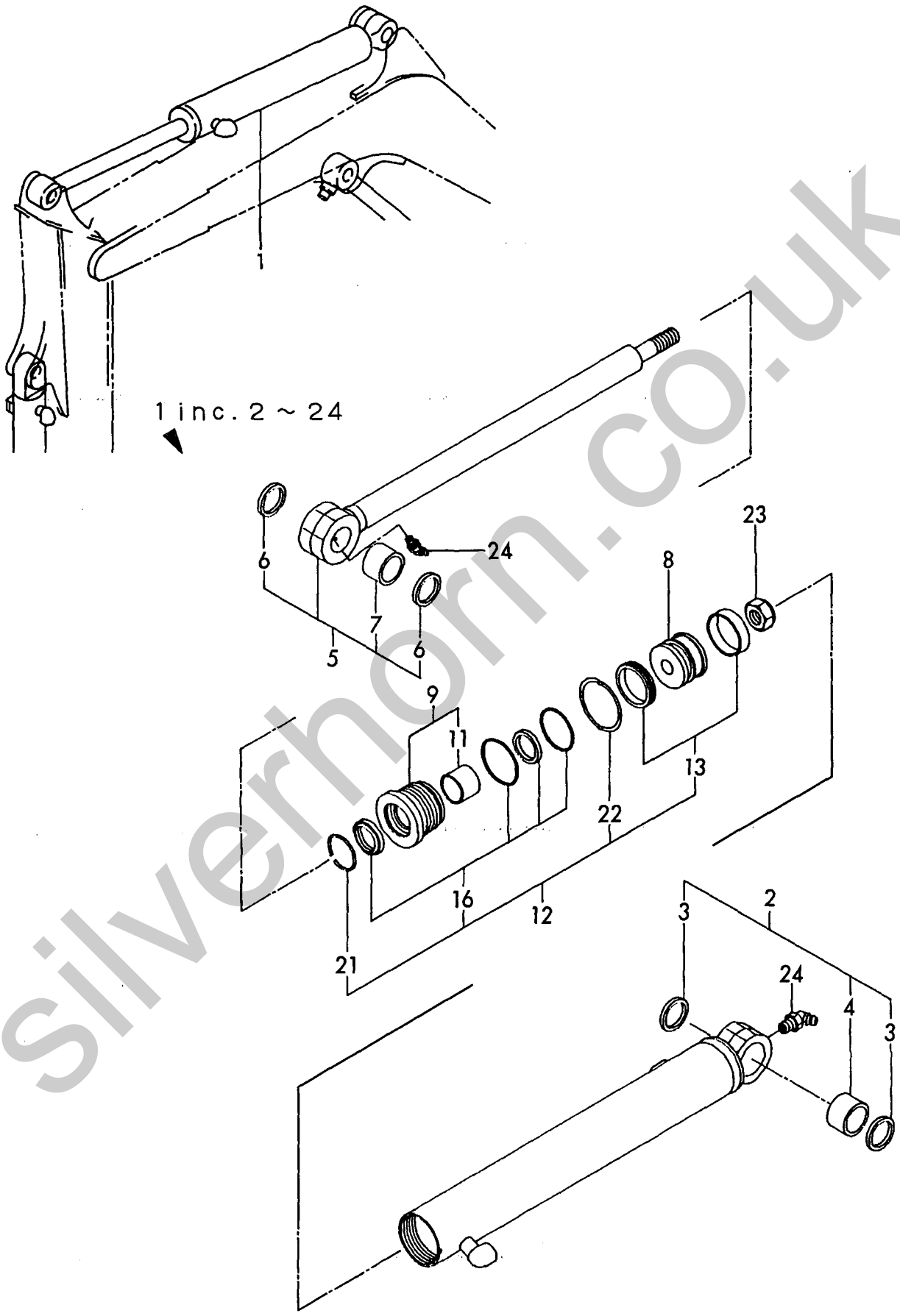
Fig. 26 BOOM CYLINDER



1,1,,172149-72352-4,, "CYLINDER COMP.,ARM",1,,,,,,,,,,,,,
1-1,1,,172149-72352-1,, "CYLINDER
COMP.,ARM",1,,,,,S,,72438003,M/#02637,,,,,,,,,,,,,I
2,2,,172149-72361-4,, "TUBE COMP.,ARM",1,,,,,,,,,,,,,
2-1,2,,172149-72361-1,, "TUBE COMP.,ARM",1,,,,,S,,72438003,M/#02637,,,,,,,,,,,,,I
3,3,,172183-72290,, "SEAL 38X48X 4, DUST",2,,,,,,,,,,,,,
4,3,,172149-72440,, "BUSH A 30X30,PIN",1,,,,,,,,,,,,,
5,2,,172149-72382,, "ROD COMP.,ARM",1,,,,,,,,,,,,,
6,3,,172183-72290,, "SEAL 38X48X 4, DUST",2,,,,,,,,,,,,,
7,3,,172149-72440,, "BUSH A 30X30,PIN",1,,,,,,,,,,,,,
8,2,,172171-72120,, PISTON,1,,,,,,,,,,,,,
9,2,,172141-72540,, "HEAD 6035, CYLINDER",1,,,,,,,,,,,,,
11,3,,933111-01600,, "BUSH 35 30, ROD",1,,,,,,,,,,,,,
12,2,,172149-99380,, "CYLINDER KIT, BUCKET",1,,,,,,,,,,,,,
13,3,,172137-72452,, "SEAL SET 60A, PISTON",1,,,,,,,,,,,,,
16,3,,172141-71900,, "SEAL SET, HEAD",1,,,,,,,,,,,,,
21,3,,172141-73090,, "RING 50, SPRING",1,,,,,,,,,,,,,
22,3,,933125-59600,, "WASHER 60 B, LOCK",1,,,,,,,,,,,,,
23,2,,172171-72130,, "U-NUT M24",1,,,,,,,,,,,,,
24,2,,24761-040000,, "NIPPLE B,GREASE",2,,,,,,,,,,,,,

Silverhorn.CO.UK

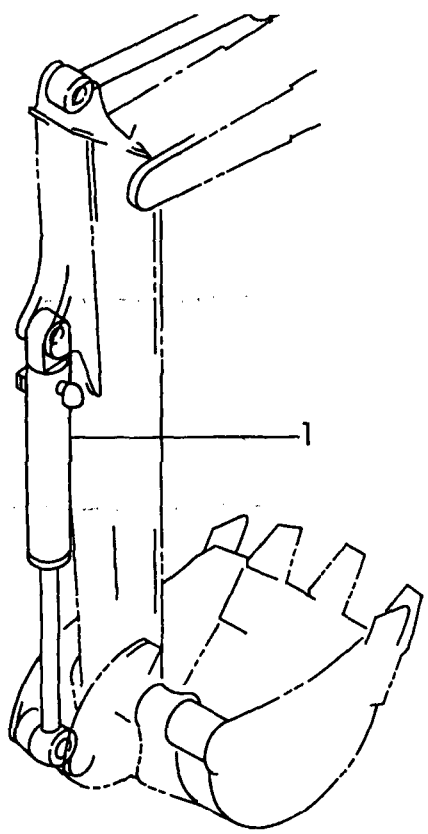
Fig. 27 ARM CYLINDER



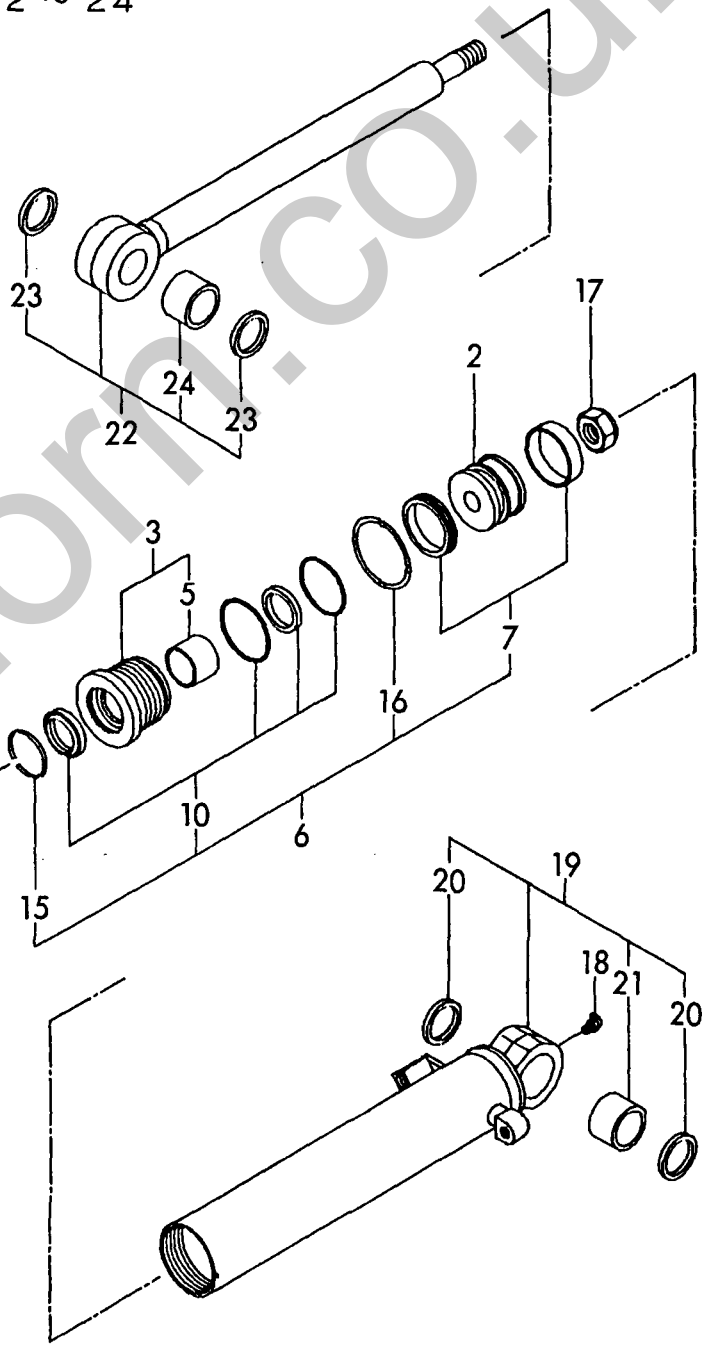
1,1,,933120-28403-4,, "CYLINDER CMP.,BUCKET",1,,,,,,,,,,,,,
1-1,1,,933120-28403-1,, "CYLINDER
CMP.,BUCKET",1,,,,,S,,72438003,M/#02637,,,,,,,,,,,,,I
2,2,,172171-72120,,PISTON,1,,,,,,,,,,,,,
3,2,,172141-72540,, "HEAD 6035, CYLINDER",1,,,,,,,,,,,,,
5,3,,933111-01600,, "BUSH 35 30, ROD",1,,,,,,,,,,,,,
6,2,,172149-99380,, "CYLINDER KIT, BUCKET",1,,,,,,,,,,,,,
7,3,,172137-72452,, "SEAL SET 60A, PISTON",1,,,,,,,,,,,,,
10,3,,172141-71900,, "SEAL SET, HEAD",1,,,,,,,,,,,,,
15,3,,172141-73090,, "RING 50, SPRING",1,,,,,,,,,,,,,
16,3,,933125-59600,, "WASHER 60 B, LOCK",1,,,,,,,,,,,,,
17,2,,172171-72130,, "U-NUT M24",1,,,,,,,,,,,,,
18,2,,24761-040000,, "NIPPLE B,GREASE",1,,,,,,,,,,,,,
19,2,,933121-28402-4,, "TUBE COMP.,BUCKET",1,,,,,,,,,,,,,
19-1,2,,933121-28402-1,, "TUBE, BUCKET",1,,,,,S,,72438003,M/#02637,,,,,,,,,,,,,I
20,3,,172183-72290,, "SEAL 38X48X 4, DUST",2,,,,,,,,,,,,,
21,3,,172149-72440,, "BUSH A 30X30,PIN",1,,,,,,,,,,,,,
22,2,,933122-28302,, "ROD COMP.,BUCKET",1,,,,,,,,,,,,,
23,3,,172183-72290,, "SEAL 38X48X 4, DUST",2,,,,,,,,,,,,,
24,3,,172149-72680,, "BUSH B 30X30,PIN",1,,,,,,,,,,,,,

Silverhorn.CO.UK

Fig. 28 BUCKET CYLINDER

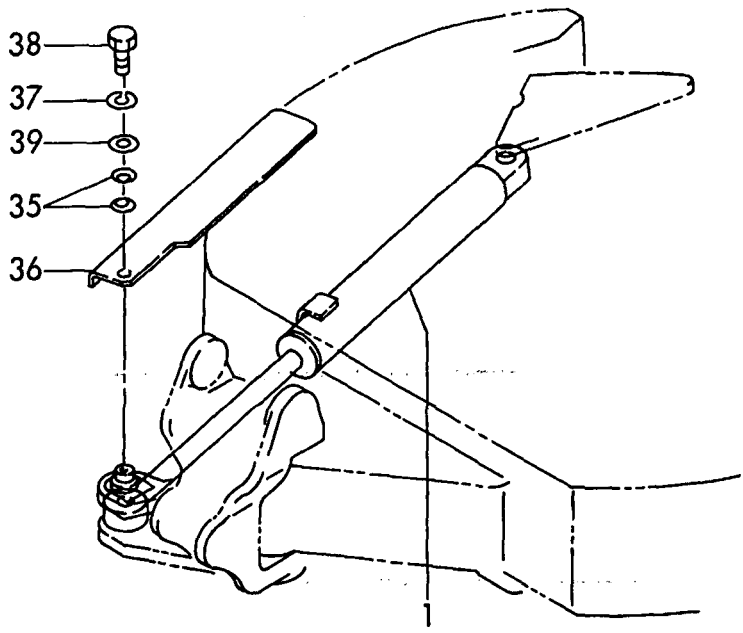


1 inc. 2 ~ 24

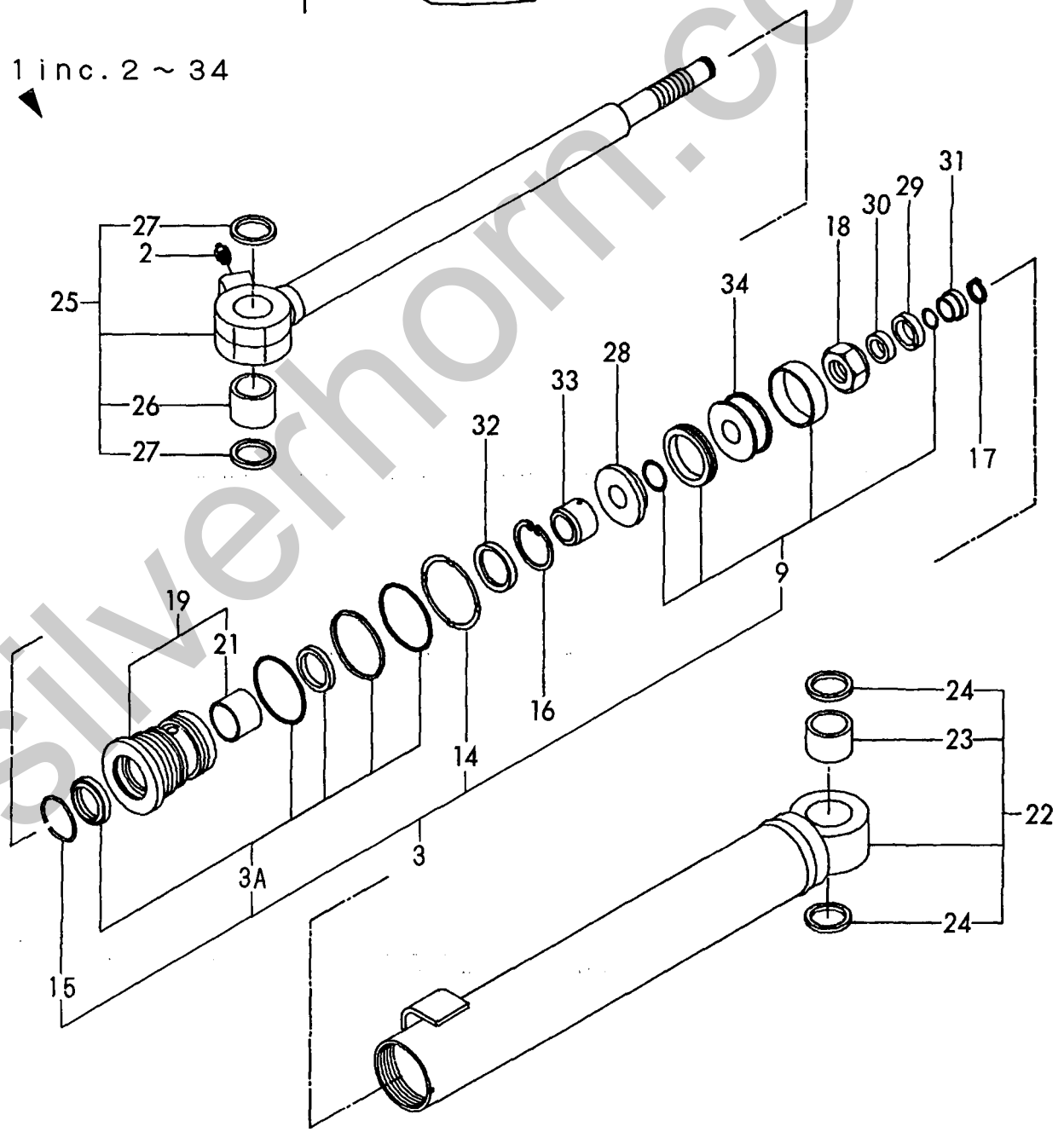


1,1,,172183-72600,, "CYLINDER, SWING",1,,,,,,,,,,,,,
1-1,1,,172183-72600-1,, "CYLINDER, SWING",1,,,,,,S,,72183222,M/#02518,,,,,,,,,,,,,I
1-2,1,,172183-72600-2,, "CYLINDER, SWING",1,,,,,,S,,72438003,M/#02637,,,,,,,,,,,,,I
2,2,,24761-020000,, "NIPPLE PT1/8, GREASE",1,,,,,,,,,,,,,
3,2,,172149-72900,, "SEAL SET, CYLINDER",1,,,,,,W,,72173089,M/#02626,,,,,,,,,,,,,I
3A,3,,172149-72021,, "SEAL SET, HEAD",1,,,,,,,,,,,,,
9,4,,172149-72000,, "SEAL SET, PISTON",1,,,,,,,,,,,,,
14,3,,172141-72420,, "WASHER 70, LOCK",1,,,,,,,,,,,,,
15,3,,933111-26600,, "RING 55, SPRING",1,,,,,,,,,,,,,
16,2,,22252-000561,, "CIRCRIP 56",1,,,,,,,,,,,,,
17,2,,172142-72810,, "CIRCLIP 22",1,,,,,,,,,,,,,
18,2,,172141-72250,, "U-NUT M27",1,,,,,,,,,,,,,
19,2,,172149-72540,, "HEAD 7040",1,,,,,,,,,,,,,
21,3,,933135-14600,, "BUSH 40 30, ROD",1,,,,,,,,,,,,,
22,2,,172183-72610,, "TUBE COMP., SWING",1,,,,,,,,,,,,,
22-1,2,,172183-72610-1,, "TUBE
ASSY., SWING",1,,,,,,S,,72183222,M/#02518,,,,,,,,,,,,,I
22-2,2,,172183-72610-2,, "TUBE
COMP, SWING",1,,,,,,S,,72438003,M/#02637,,,,,,,,,,,,,I
23,3,,172168-72240,, "BUSH 38X50X40",1,,,,,,,,,,,,,
24,3,,172168-81270,, "SEAL, DUST 38X50X4",2,,,,,,,,,,,,,
25,2,,172183-72640,, "ROD COMP., SWING",1,,,,,,,,,,,,,
26,3,,172168-72240,, "BUSH 38X50X40",1,,,,,,,,,,,,,
27,3,,172168-81270,, "SEAL, DUST 38X50X4",2,,,,,,,,,,,,,
28,2,,172183-72660,, "PISTON B 70X27",1,,,,,,,,,,,,,
29,2,,172137-72700,, "RING 40A, CUSHION",1,,,,,,,,,,,,,
30,2,,172137-72710,, "COLLAR 40B, CUSHION",1,,,,,,,,,,,,,
31,2,,172137-72720,, "COLLAR 40A, CUSHION",1,,,,,,,,,,,,,
32,2,,172137-72730,, "RING 44B, CUSHION",1,,,,,,,,,,,,,
33,2,,172137-72740,, "CUSHION PLUNGER 44 A",1,,,,,,,,,,,,,
34,2,,172141-73021,, "PISTON 70 27 A",1,,,,,,,,,,,,,
35,1,,933168-14170,, "SPRING 16",2,,,,,,,,,,,,,
36,1,,172171-72260-4,, "COVER ASSY, SWING",1,,,,,,,,,,,,,
36-1,1,,172171-72260-1,, "COVER, SWING
(GREEN)",1,,,,,,S,,72438003,M/#02637,,,,,,,,,,,,,I
37,1,,22217-100000,, "SPRING WASHER 10",1,,,,,,,,,,,,,
38,1,,26116-100202,, "BOLT M10X 20 PLATED",1,,,,,,,,,,,,,
39,1,,933147-03400,, "WASHER, BRAKE ARM",1,,,,,,,,,,,,,

Fig. 29 SWING CYLINDER



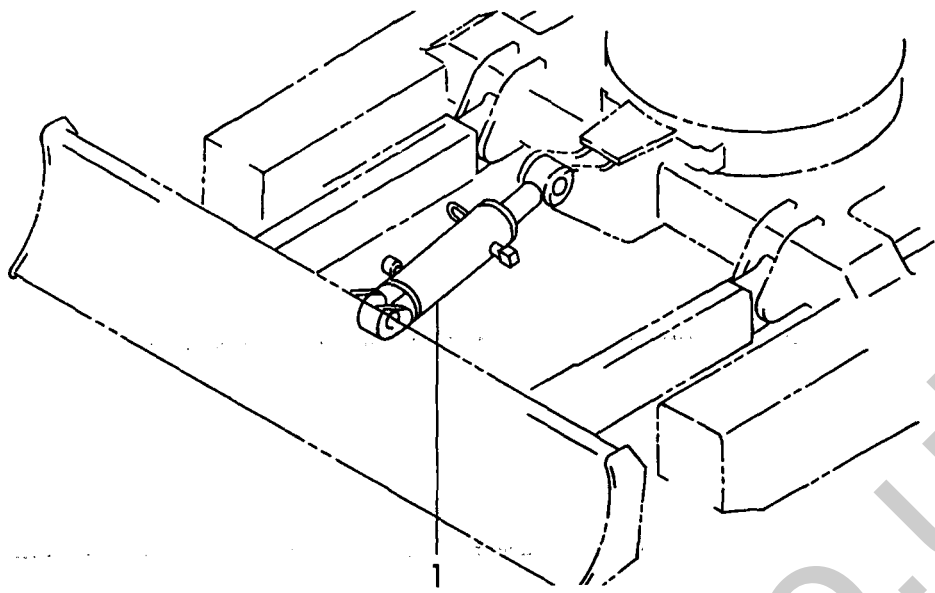
1 inc. 2 ~ 34



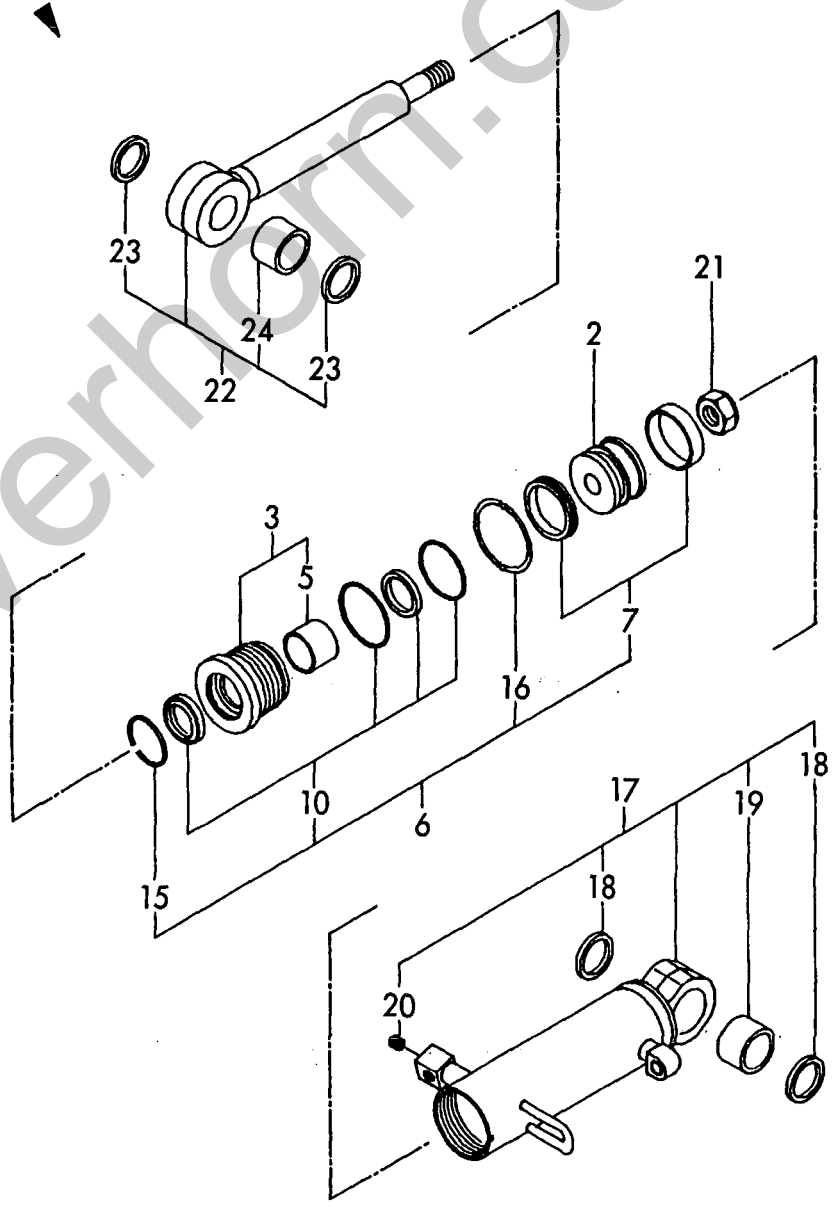
1,1,,933120-28504-4,, "CYLINDER COMP.,BLADE",1,,,,,,,,,,,,,
1-1,1,,933120-28504-1,, "CYLINDER
COMP.,BLADE",1,,,,,,S,,72183222,M/#02518,,,,,,,,,,,,,I
1-2,1,,933120-28504-2,, "CYLINDER
COMP.,BLADE",1,,,,,,S,,72438003,M/#02637,,,,,,,,,,,,,I
2,2,,172171-72120,,PISTON,1,,,,,,,,,,,,,
3,2,,172141-72540,, "HEAD 6035, CYLINDER",1,,,,,,,,,,,,,
5,3,,933111-01600,, "BUSH 35 30, ROD",1,,,,,,,,,,,,,
6,2,,172149-99380,, "CYLINDER KIT, BUCKET",1,,,,,,,,,,,,,
7,3,,172137-72452,, "SEAL SET 60A, PISTON",1,,,,,,,,,,,,,
10,3,,172141-71900,, "SEAL SET, HEAD",1,,,,,,,,,,,,,
15,3,,172141-73090,, "RING 50, SPRING",1,,,,,,,,,,,,,
16,3,,933125-59600,, "WASHER 60 B, LOCK",1,,,,,,,,,,,,,
17,2,,933121-28502-4,, "TUBE COMP.,BLADE",1,,,,,,,,,,,,,
17-1,1,,933121-28502-1,, "TUBE
COMP.,BLADE",1,,,,,,S,,72183222,M/#02518,,,,,,,,,,,,,I
17-2,1,,933121-28502-2,, "TUBE
COMP.,BLADE",1,,,,,,S,,72438003,M/#02637,,,,,,,,,,,,,I
18,3,,172183-72290,, "SEAL 38X48X 4, DUST",2,,,,,,,,,,,,,
19,3,,172149-72680,, "BUSH B 30X30,PIN",1,,,,,,,,,,,,,
20,3,,23871-010000,, "PLUG PT1/8,SCREW",1,,,,,,,,,,,,,
21,2,,172171-72130,, "U-NUT M24",1,,,,,,,,,,,,,
22,2,,933122-28403,, "ROD COMP.,BLADE",1,,,,,,,,,,,,,
23,3,,172183-72290,, "SEAL 38X48X 4, DUST",2,,,,,,,,,,,,,
24,3,,172149-72680,, "BUSH B 30X30,PIN",1,,,,,,,,,,,,,

Silverhorn.CO.UK

Fig. 30 BLADE CYLINDER



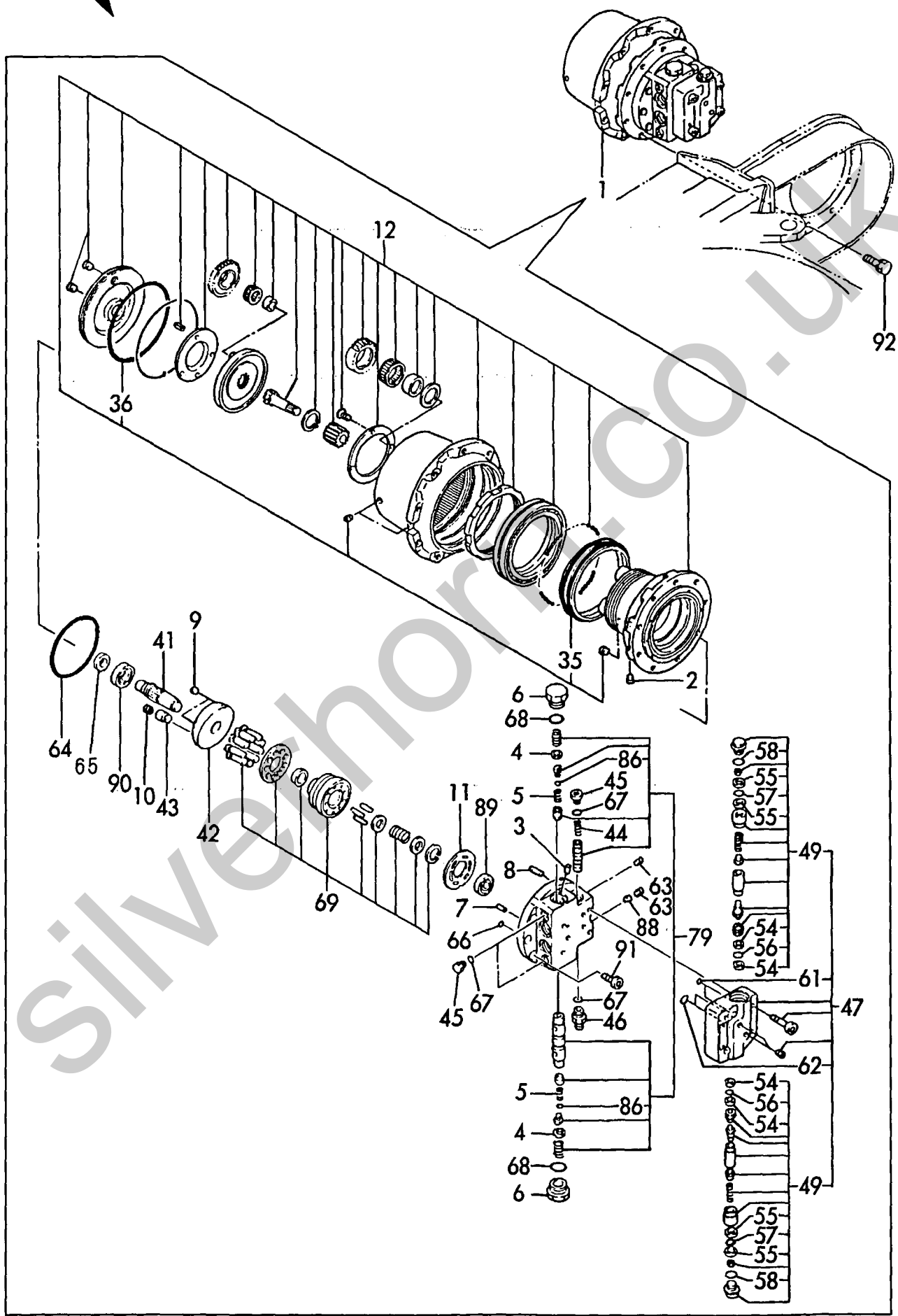
1 inc. 2 ~ 24



1,1,,172183-73300,, "MOTOR COMP.,TRAVEL",2,,,,,,,,,,,,,,,,,,,,,
2,2,,172147-70220,, PLUG,4,,,,,,,,,,,,,,,,,,,,,,,,,,,,,
3,2,,172148-70240,, ORIFICE,4,,,,,,,,,,,,,,,,,,,,,,,,,,,,,
4,2,,172141-70450,, "SEAT, SPRING",4,,,,,,,,,,,,,,,,,,,,,
5,2,,172141-70460,, SPRING,4,,,,,,,,,,,,,,,,,,,,,,,,,,,,,
6,2,,172141-70470,, CAP,4,,,,,,,,,,,,,,,,,,,,,,,,,,,,,
7,2,,172141-70480,, PIN,2,,,,,,,,,,,,,,,,,,,,,,,,,,,,,
8,2,,172122-70650,, "PARALLEL PIN",4,,,,,,,,,,,,,,,,,,,,,
9,2,,172168-71870,, BALL,4,,,,,,,,,,,,,,,,,,,,,,,,,,,,,
10,2,,172168-71950,, SPRING,4,,,,,,,,,,,,,,,,,,,,,,,,,,,,,
11,2,,172638-73330,, PLATE,2,,,,,,,,,,,,,,,,,,,,,,,,,,,,,
12,2,,172183-73500,, "REDUCER,SPEED",2,,,,,,,,,,,,,,,,,,,,,
35,3,,172183-73510,, "SEAL, FLOATING",2,,,,,,,,,,,,,,,,,,,,,
36,3,,24315-001300,, "O-RING 1B P130.0",2,,,,,,,,,,,,,,,,,,,,,
41,2,,172183-73670,, SHAFT,2,,,,,,,,,,,,,,,,,,,,,,,,,,,,,
42,2,,172183-73680,, "PLATE,SWASH",2,,,,,,,,,,,,,,,,,,,,,
43,2,,172183-73700,, "PISTON ASSY.",4,,,,,,,,,,,,,,,,,,,,,
44,2,,172183-73760,, SPRING,2,,,,,,,,,,,,,,,,,,,,,,,,,,,,,
45,2,,172183-73770,, PLUG,6,,,,,,,,,,,,,,,,,,,,,,,,,,,,,
46,2,,172183-73780,, PLUG,2,,,,,,,,,,,,,,,,,,,,,,,,,,,,,
47,2,,172183-73800,, "BLOCK ASSY.,RELIEF",2,,,,,,,,,,,,,,,,,,,,,
49,3,,172183-73820,, "VALVE ASSY.,RELIEF",4,,,,,,,,,,,,,,,,,,,,,
54,4,,172147-70580,, "RING P12 T2, BACK UP",8,,,,,,,,,,,,,,,,,,,,,
55,4,,172147-70600,, "RING P15,T3,BACKUP",8,,,,,,,,,,,,,,,,,,,,,
56,4,,24315-000120,, "O-RING 1B P-12.0",4,,,,,,,,,,,,,,,,,,,,,
57,4,,24315-000150,, "O-RING 1B P-15.0",4,,,,,,,,,,,,,,,,,,,,,
58,4,,24315-000240,, "O-RING 1B P-24.0",4,,,,,,,,,,,,,,,,,,,,,
61,3,,24315-000070,, "O-RING 1B P-7.0",6,,,,,,,,,,,,,,,,,,,,,
62,3,,24315-000100,, "O-RING 1B P-10.0",4,,,,,,,,,,,,,,,,,,,,,
63,2,,172183-73870,, PLUG,4,,,,,,,,,,,,,,,,,,,,,,,,,,,,,
64,2,,172141-70370,, O-RING,2,,,,,,,,,,,,,,,,,,,,,,,,,,,,,
65,2,,172638-73540,, "SEAL, OIL",2,,,,,,,,,,,,,,,,,,,,,,,,,,,,,
66,2,,24315-000070,, "O-RING 1B P-7.0",4,,,,,,,,,,,,,,,,,,,,,
67,2,,24315-000110,, "O-RING 1B P-11.0",8,,,,,,,,,,,,,,,,,,,,,
68,2,,24315-000240,, "O-RING 1B P-24.0",4,,,,,,,,,,,,,,,,,,,,,
69,2,,172183-73910,, "BLOCK KIT,CYLINDER",2,,,,,,,,,,,,,,,,,,,,,
79,2,,172183-73920,, "PLATE KIT,BASE",2,,,,,,,,,,,,,,,,,,,,,
86,4,,172141-70440,, O-RING,4,,,,,,,,,,,,,,,,,,,,,,,,,,,,,
88,2,,172312-74790,, ORIFICE,8,,,,,,,,,,,,,,,,,,,,,,,,,,,,,
89,2,,24101-060024,, "BALL BEARING",2,,,,,,,,,,,,,,,,,,,,,
90,2,,24101-060040,, "BALL BEARING",2,,,,,,,,,,,,,,,,,,,,,
91,2,,26450-080202,, "BOLT M 8X 20",12,,,,,,,,,,,,,,,,,,,,,
92,1,,26013-100252,, "BOLT W/WASHER M10X25",16,,,,,,,,,,,,,,,,,,,,,
93,1,,172183-73930,, "SEAL KIT, TRAV.MOTOR",2,,,,,,,,,,,,,1,,,,,,,,,,,,,

Fig. 31 TRAVEL MOTOR

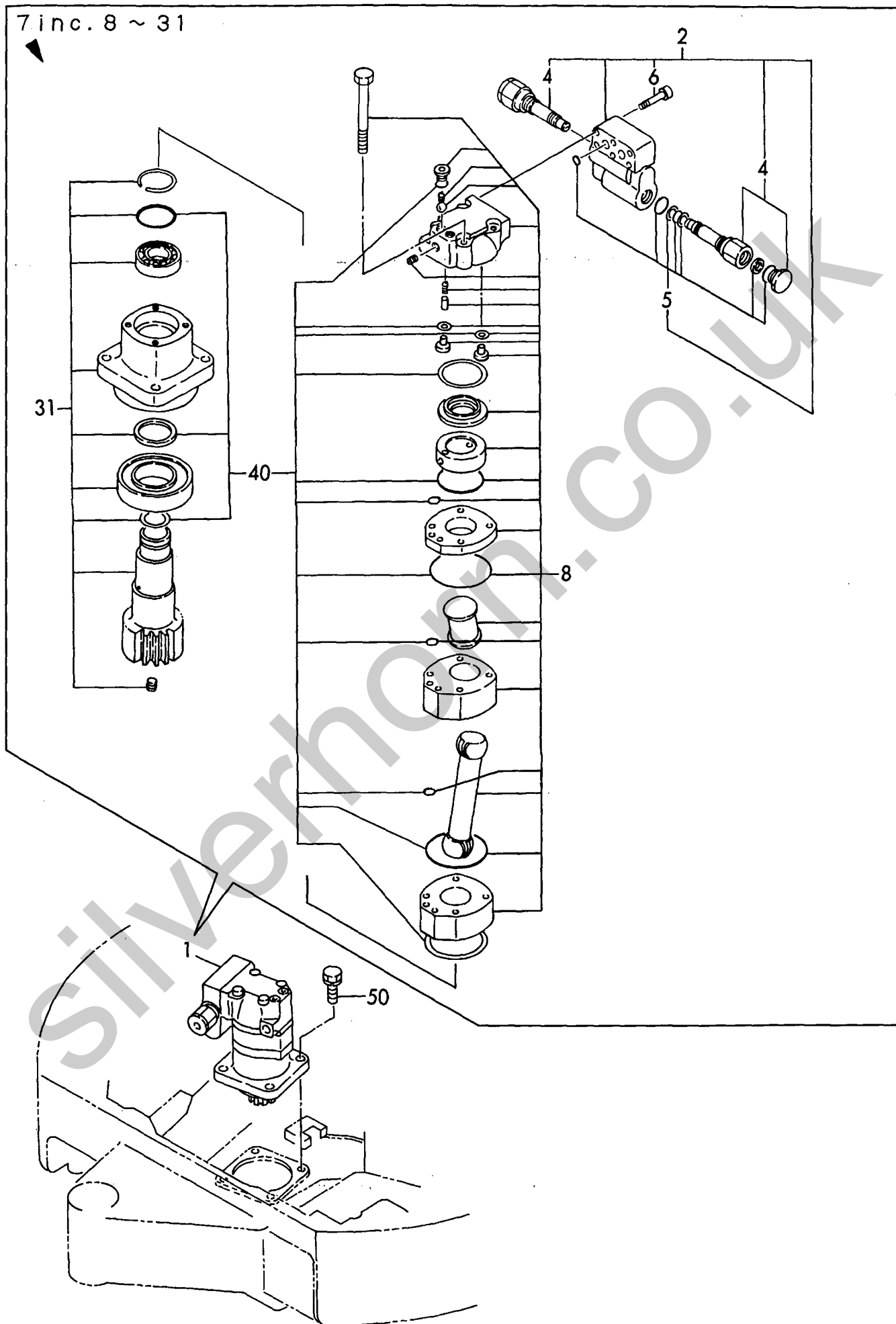
93 inc. 35, 36, 54 ~ 58, 61 ~ 62, 64 ~ 68, 86



1,1,,172183-73310,, "MOTOR COMP.,SWING",1,,,,,,,,,,,,,
2,2,,172183-73320,, "VALVE 85K COMPL.",1,,,,,,,,,,,,,
4,3,,172183-73340,, "CARTRIDGE ASSY.",2,,,,,,,,,,,,,
5,3,,172168-73360,, "SEAL KIT",1,,,,,,,,,,,,,
6,3,,172168-73370,, BOLT,6,,,,,,,,,,,,,
7,2,,172183-73400,, "MOTOR COMP.SWING 244",1,,,,,,,,,,,,,
8,3,,172183-73410,, "MOTOR ASSY.",1,,,,,,,,,,,,,
31,3,,172183-73420,, "PINION ASSY.",1,,,,,,,,,,,,,
40,1,,172183-73460,, "SEAL KIT,TURN.MOTOR",1,,,,,,,,,,,,,
50,1,,26013-120402,, "BOLT M12X 40",4,,,,,,,,,,,,,

Silverhorn.CO.UK

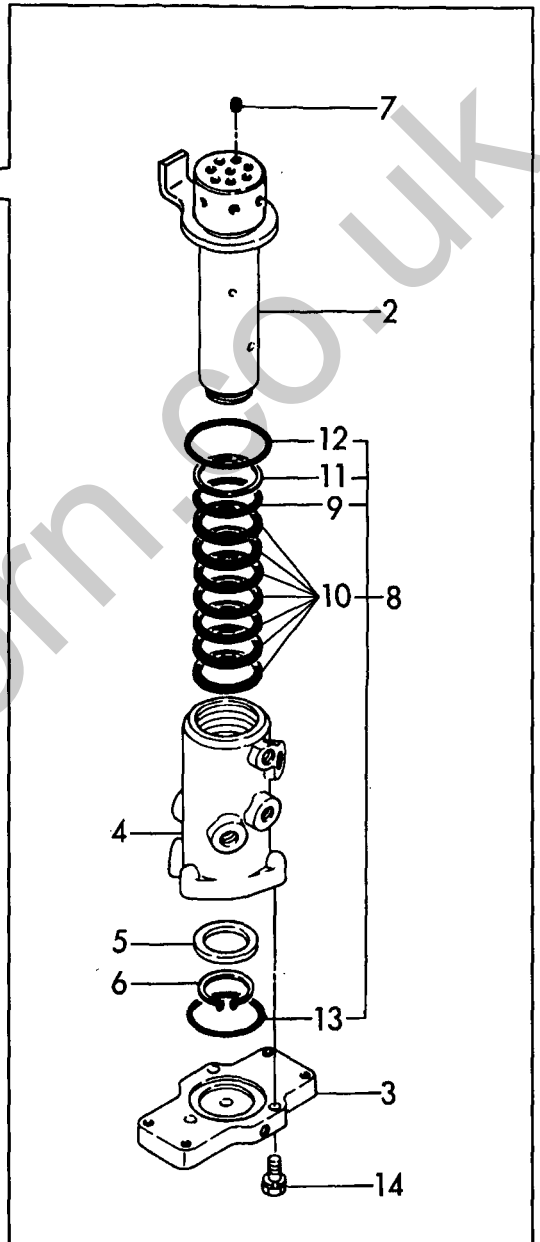
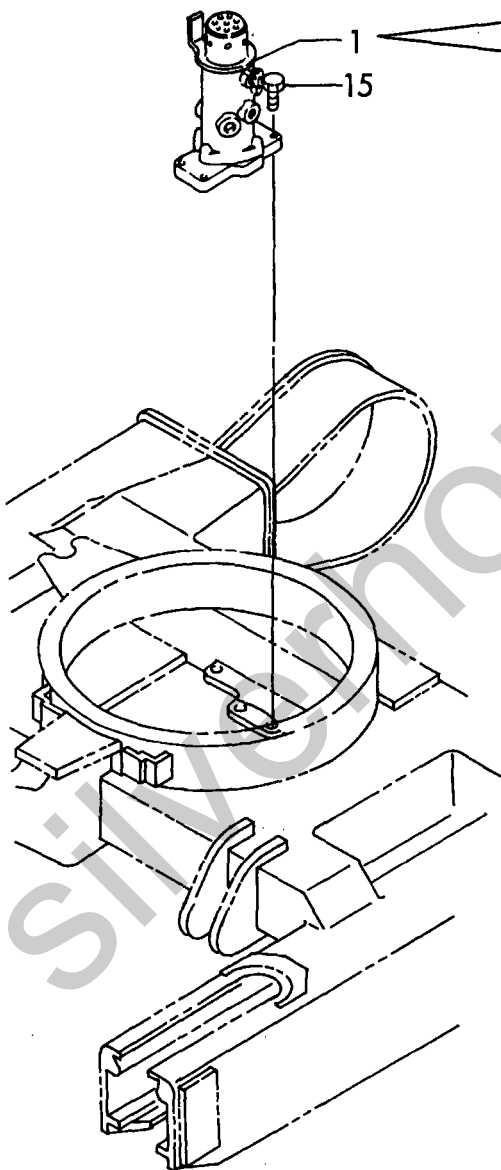
Fig. 32 TURNING MOTOR



1,1,,172168-73800-4,, "JOINT ASSY.,SWIVEL",1,,,,,,,,,,,,,
1-1,1,,172168-73800-1,, "JOINT
ASSY.,SWIVEL",1,,,,,,S,,72183222,M/#02518,,,,,,,,,,,,I
1-2,1,,172168-73800-2,, "JOINT
ASSY.,SWIVEL",1,,,,,,S,,72438003,M/#02637,,,,,,,,,,,,I
2,2,,172148-73810,, "SHAFT, SWIVEL",1,,,,,,,,,,,,,
3,2,,172148-73830,, "FLANGE, SWIVEL",1,,,,,,,,,,,,,
4,2,,172148-73840,, "HUB, SWIVEL",1,,,,,,,,,,,,,
5,2,,172137-73860,, "SPACER, SWIVEL",1,,,,,,,,,,,,,
6,2,,22242-000451,, "CIRCLIP 45",1,,,,,,,,,,,,,
7,2,,23871-020000,, "PLUG PT1/4,SCREW",7,,,,,,,,,,,,,
8,2,,172168-73880,, "SEAL SET, SWIVEL",1,,,,,,,,,,,,,
9,3,,172142-73800,, "O-RING 55.76X5.7",1,,,,,,,,,,,,,
10,3,,172142-73800,, "O-RING 55.76X5.7",7,,,,,,,,,,,,,
11,3,,172148-73870,, "LING EL, BUCK UP",1,,,,,,,,,,,,,
12,3,,24311-000750,, "O-RING 1A P-75.0",1,,,,,,,,,,,,,
13,3,,24321-000700,, "O-RING 1A G-70.0",1,,,,,,,,,,,,,
14,2,,26013-100352,, "BOLT M10X 35",3,,,,,,,,,,,,,
15,1,,26013-100302,, "BOLT M10X 30",4,,,,,,,,,,,,,

Silverhorn.CO.UK

Fig. **33** SWIVEL JOINT

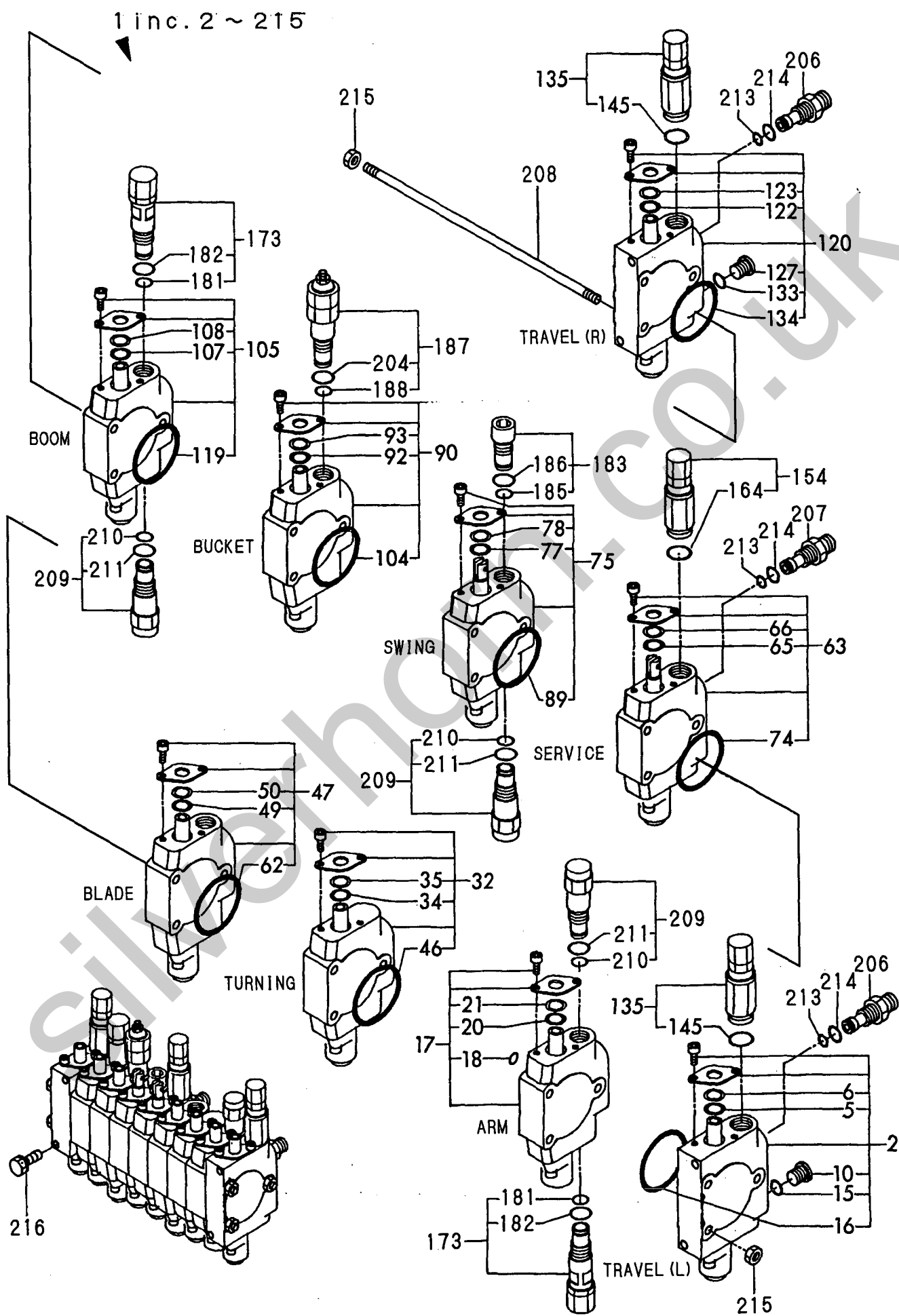


1,1,,172183-74100,, "VALVE COMP.,CONTROL",1,,,,,,,,,,,,,
1-1,1,,172183-74101,, "VALVE ASSY,
CONTROL",1,,,,,R,,72183221,M/#02556,,,,,,,,,,,,,I
2,2,,172183-74120,, "SECTION L CMP,TRAVEL",1,,,,,,,,,,,,,
5,3,,172183-74300,, "O-RING P13",2,,,,,,,,,,,,,
6,3,,172183-74310,, "WIPER,DUST",2,,,,,,,,,,,,,
10,3,,172183-74350,, "PLUG PF1/4",1,,,,,,,,,,,,,
15,3,,24315-000110,, "O-RING 1B P-11.0",1,,,,,,,,,,,,,
16,3,,24325-000550,, "O-RING 1B G-55.0",1,,,,,,,,,,,,,
17,2,,172183-74130,, "SECTION COMP.,ARM",1,,,,,,,,,,,,,
18,3,,172131-74080,, "O-RING 1B S9",1,,,,,,,,,,,,,
20,3,,172183-74300,, "O-RING P13",2,,,,,,,,,,,,,
21,3,,172183-74310,, "WIPER,DUST",2,,,,,,,,,,,,,
32,2,,172183-74140,, "SECTION COMP.,TURN'G",1,,,,,,,,,,,,,
34,3,,172183-74300,, "O-RING P13",2,,,,,,,,,,,,,
35,3,,172183-74310,, "WIPER,DUST",2,,,,,,,,,,,,,
46,3,,24325-000550,, "O-RING 1B G-55.0",1,,,,,,,,,,,,,
47,2,,172183-74150,, "SECTION COMP.,BLADE",1,,,,,,,,,,,,,
49,3,,172183-74300,, "O-RING P13",2,,,,,,,,,,,,,
50,3,,172183-74310,, "WIPER,DUST",2,,,,,,,,,,,,,
62,3,,24325-000550,, "O-RING 1B G-55.0",1,,,,,,,,,,,,,
63,2,,172183-74160,, "SECTION COMP,SERVICE",1,,,,,,,,,,,,,
65,3,,172183-74300,, "O-RING P13",2,,,,,,,,,,,,,
66,3,,172183-74310,, "WIPER,DUST",2,,,,,,,,,,,,,
74,3,,24325-000550,, "O-RING 1B G-55.0",1,,,,,,,,,,,,,
75,2,,172183-74170,, "SECTION COMP.,SWING",1,,,,,,,,,,,,,
77,3,,172183-74300,, "O-RING P13",2,,,,,,,,,,,,,
78,3,,172183-74310,, "WIPER,DUST",2,,,,,,,,,,,,,
89,3,,24325-000550,, "O-RING 1B G-55.0",1,,,,,,,,,,,,,
90,2,,172183-74180,, "SECTION COMP.,BUCKET",1,,,,,,,,,,,,,
92,3,,172183-74300,, "O-RING P13",2,,,,,,,,,,,,,
93,3,,172183-74310,, "WIPER,DUST",2,,,,,,,,,,,,,
104,3,,24325-000550,, "O-RING 1B G-55.0",1,,,,,,,,,,,,,
105,2,,172183-74190,, "SECTION COMP.,BOOM",1,,,,,,,,,,,,,
107,3,,172183-74300,, "O-RING P13",2,,,,,,,,,,,,,
108,3,,172183-74310,, "WIPER,DUST",2,,,,,,,,,,,,,
119,3,,24325-000550,, "O-RING 1B G-55.0",1,,,,,,,,,,,,,
120,2,,172183-74200,, "SECTION R CMP,TRAVEL",1,,,,,,,,,,,,,
122,3,,172183-74300,, "O-RING P13",2,,,,,,,,,,,,,
123,3,,172183-74310,, "WIPER,DUST",2,,,,,,,,,,,,,
127,3,,172183-74350,, "PLUG PF1/4",1,,,,,,,,,,,,,
133,3,,24315-000110,, "O-RING 1B P-11.0",1,,,,,,,,,,,,,
134,3,,24325-000550,, "O-RING 1B G-55.0",1,,,,,,,,,,,,,
135,2,,172183-74210,, "VALVE COMP.,RELIEF",2,,,,,,,,,,,,,
145,3,,172183-74530,, O-RING,2,,,,,,,,,,,,,
154,2,,172183-74220,, "VALVE COMP.,RELIEF",1,,,,,,,,,,,,,
164,3,,172183-74530,, O-RING,1,,,,,,,,,,,,,
173,2,,172183-74230,, "VALVE CMP,P/T RELIEF",2,,,,,,,,,,,,,
181,3,,172137-74640,, "O-RING 1B S 12.5",2,,,,,,,,,,,,,
182,3,,24315-000150,, "O-RING 1B P-15.0",2,,,,,,,,,,,,,
183,2,,172183-74240,, "PLUG COMPL.",1,,,,,,,,,,,,,
185,3,,172137-74640,, "O-RING 1B S 12.5",1,,,,,,,,,,,,,
186,3,,24315-000150,, "O-RING 1B P-15.0",1,,,,,,,,,,,,,
187,2,,172183-74250,, "VALVE COMP.,COMBINAT",1,,,,,,,,,,,,,
188,3,,172137-74640,, "O-RING 1B S 12.5",1,,,,,,,,,,,,,
204,3,,24315-000150,, "O-RING 1B P-15.0",1,,,,,,,,,,,,,
206,2,,172183-74260,, "ADAPTER PF3/8",2,,,,,,,,,,,,,
207,2,,172183-74270,, "ADAPTER PF1/2",1,,,,,,,,,,,,,
208,2,,172183-74280,, "ROD,TIE",3,,,,,,,,,,,,,
209,2,,172137-74631,, "VALVE ASSY, SUCTION",3,,,,,,,,,,,,,
210,3,,172137-74640,, "O-RING 1B S 12.5",3,,,,,,,,,,,,,
211,3,,24315-000150,, "O-RING 1B P-15.0",3,,,,,,,,,,,,,
213,2,,24315-000090,, "O-RING 1B P- 9.0",3,,,,,,,,,,,,,

214,2,,24315-000140,, "O-RING 1B P-14.0",3,,,,,,,,,,,,,,,,,,,,,
215,2,,26716-080002,, "NUT M 8",6,,,,,,,,,,,,,,,,,,,,,
216,1,,26013-080162,, "BOLT W/WASHER M8X16",4,,,,,,,,,,,,,,,,,,,,,

Silverhorn.CO.UK

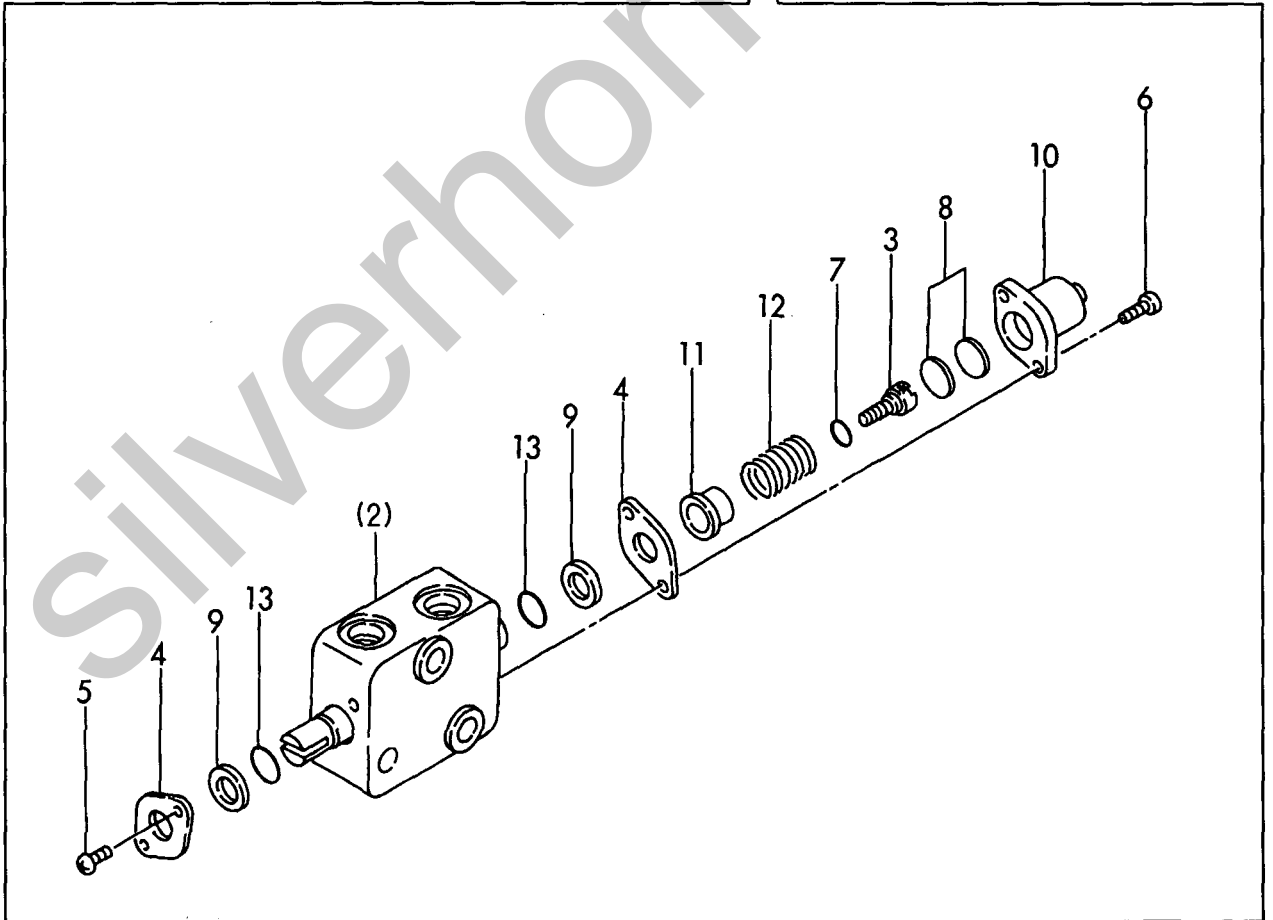
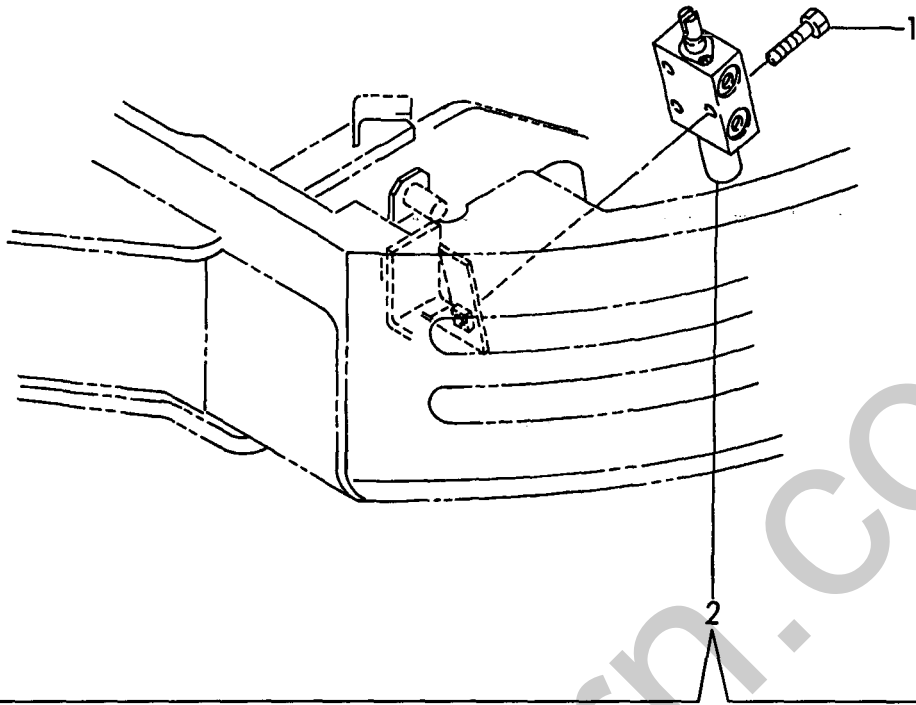
Fig. 34 CONTROL VALVE



1,1,,26013-100502,, "BOLT M10X 50",2,,,,,,,,,,,,,,,,,,,,,
2,1,,172147-74130,, VALVE,1,,,,,,,,,,,,,,,,,,,,,
3,2,,172147-74140,, SCREW,1,,,,,,,,,,,,,,,,,,,,,
4,2,,172116-74190,, "PLATE, SEAL",2,,,,,,,,,,,,,,,,,,,,,
5,2,,172116-74220,, SCREW,2,,,,,,,,,,,,,,,,,,,,,
6,2,,172116-74230,, "HEAD BOLT, SOCKET",2,,,,,,,,,,,,,,,,,,,,,
7,2,,172122-74270,, O-RING,1,,,,,,,,,,,,,,,,,,,,,
8,2,,172116-74390,, SPACER,2,,,,,,,,,,,,,,,,,,,,,
9,2,,933166-80520,, WIPER,2,,,,,,,,,,,,,,,,,,,,,
10,2,,933166-80530,, CAP,1,,,,,,,,,,,,,,,,,,,,,
11,2,,933171-80510,, "SEAT, SPRING",1,,,,,,,,,,,,,,,,,,,,,
12,2,,933171-80540,, SPRING,1,,,,,,,,,,,,,,,,,,,,,
13,2,,933171-80610,, O-RING,2,,,,,,,,,,,,,,,,,,,,,

Silverhorn.CO.UK

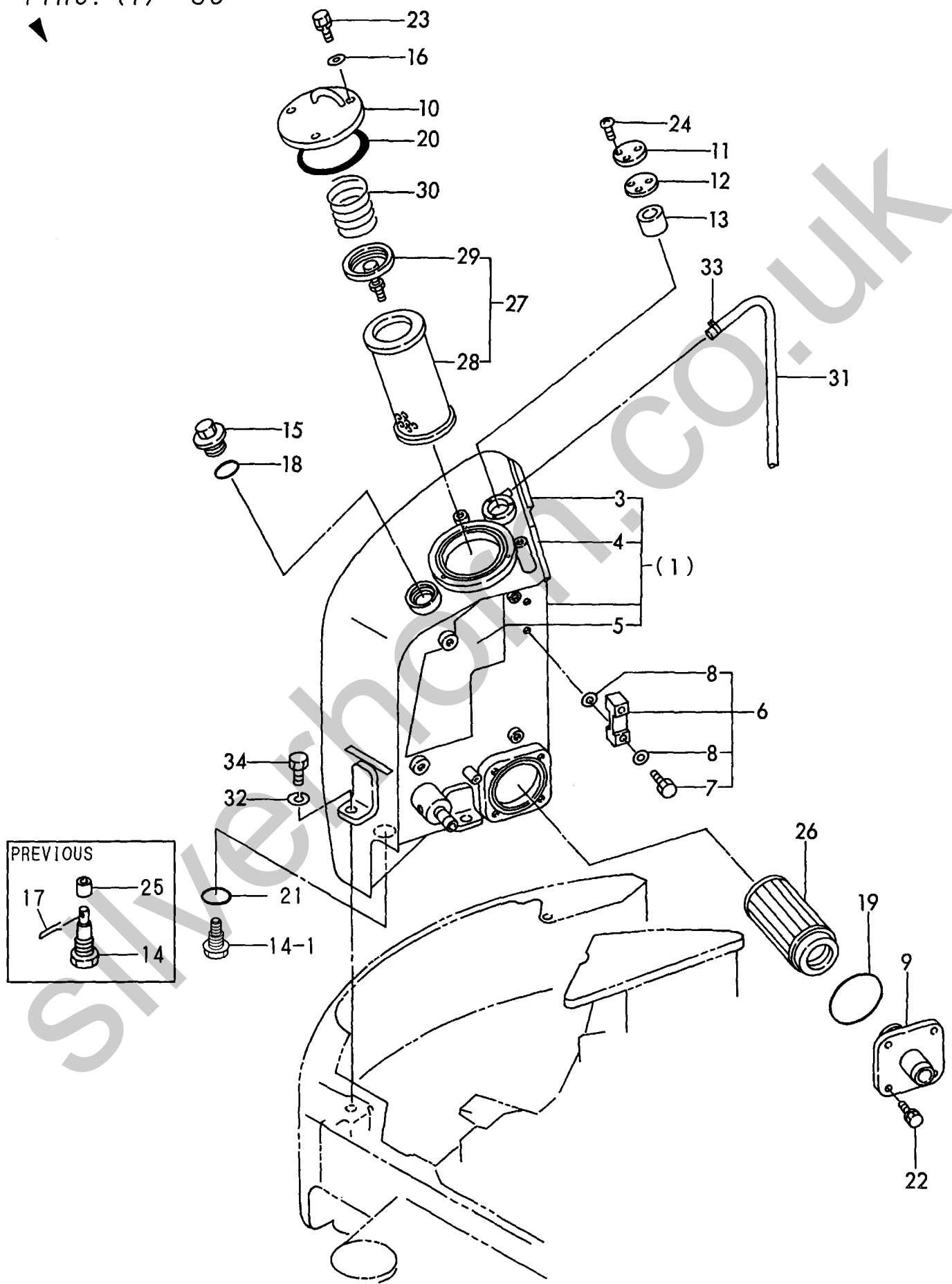
Fig. **35** LOW-HIGH VALVE



1,1,,772183-75100,, "RESERVOIR ASSY.",1,,,,,,,,,,,,,
 1-1,1,,772183-75100-1,, "RESERVOIR ASSY",1,,,,,,S,,72438003,M/#02637,,,,,,,,,,,,,I
 3,3,,172183-14230,, "RUBBER 450,SEAL",1,,,,,,,,,,,,,
 4,3,,172519-65300,, RUBBER,1,,,,,,,,,,,,,
 5,3,,172183-75490,, "INSULANT,RSVR.THERML",1,,,,,,,,,,,,,
 6,2,,172122-75600,, "GAUGE, OIL LEVEL",1,,,,,,,,,,,,,
 7,3,,172122-75620,, BOLT,2,,,,,,,,,,,,,
 8,3,,172122-75630,, GASKET,4,,,,,,,,,,,,,
 9,2,,172183-75410,, "FLANGE COMP.,SUCTION",1,,,,,,,,,,,,,
 9-1,2,,172183-75410-1,, "FLANGE
 COMP.,SUCTION",1,,,,,,S,,72438003,M/#02637,,,,,,,,,,,,,I
 10,2,,172141-75430-4,, "COVER,INTAKE",1,,,,,,,,,,,,,
 10-1,2,,172141-75430-2,, "COVER,INTAKE
 (YELLOW",1,,,,,,S,,72438003,M/#02637,,,,,,,,,,,,,I
 11,2,,172165-75450-5,, PLATE,1,,,,,,,,,,,,,
 11-1,2,,172165-75450,, PLATE,1,,,,,,S,,72438003,M/#02637,,,,,,,,,,,,,I
 12,2,,172165-75460,, GASKET,1,,,,,,,,,,,,,
 13,2,,172165-75481,, ELEMENT,1,,,,,,,,,,,,,
 14,2,,172183-75750,, "PLUG 24, DRAIN",1,,,,,,,,,,,,,
 14-1,2,,172187-75500,, "PLUG 24",1,,,,,,R,,72422067,M/#02556,,,,,,,,,,,,,I
 15,2,,172116-75850-5,, "PLUG,OIL FEED",1,,,,,,,,,,,,,
 15-1,2,,172116-75850,, "PLUG, OIL FEED",1,,,,,,S,,72438003,M/#02637,,,,,,,,,,,,,I
 16,2,,22137-080000,, "WASHER 8, POLISHED",1,,,,,,,,,,,,,
 17,2,,22417-200160,, "COTTER PIN 2.0X16",1,,,,,,Z,,72422067,M/#02556,,,,,,,,,,,,,I
 18,2,,24311-000380,, "O-RING 1A P-38.0",1,,,,,,,,,,,,,
 19,2,,24321-001050,, "O-RING 1A G-105.0",1,,,,,,,,,,,,,
 20,2,,24321-001050,, "O-RING 1A G-105.0",1,,,,,,,,,,,,,
 21,2,,24341-000300,, "O-RING 1A S-30.0",1,,,,,,,,,,,,,
 22,2,,26013-080162,, "BOLT W/WASHER M8X16",4,,,,,,,,,,,,,
 23,2,,26013-080202,, "BOLT W/WASHER M8X20",3,,,,,,,,,,,,,
 24,2,,26022-050102,, "SCREW M 5X 10",3,,,,,,,,,,,,,
 25,2,,933171-23042,, MAGNET,1,,,,,,Z,,72422067,M/#02556,,,,,,,,,,,,,I
 26,2,,172146-73730,, "FILTER, SUCTION",1,,,,,,,,,,,,,
 27,2,,172141-73750,, "FILTER ASSY, RETURN",1,,,,,,,,,,,,,
 28,3,,172141-73760,, ELEMENT,1,,,,,,,,,,,,,
 29,3,,172141-73770,, "VALVE ASSY, BYPASS",1,,,,,,,,,,,,,
 30,2,,933152-02710,, "SPRING, SIDE CLUTCH",1,,,,,,,,,,,,,
 31,1,,172183-75360,, HOSE,1,,,,,,,,,,,,,
 32,1,,22217-140000,, "SPRING WASHER 14",3,,,,,,,,,,,,,
 33,1,,23080-010000,, "CLAMP 10",1,,,,,,,,,,,,,
 33-1,1,,124766-59050,, "CLAMP 12",1,,,,,,N,,72187221,M/#02100,,,,,,,,,,,,,I
 34,1,,26116-140352,, "BOLT M14X 35 PLATED",3,,,,,,,,,,,,,

Fig. 36 HYD. OIL TANK

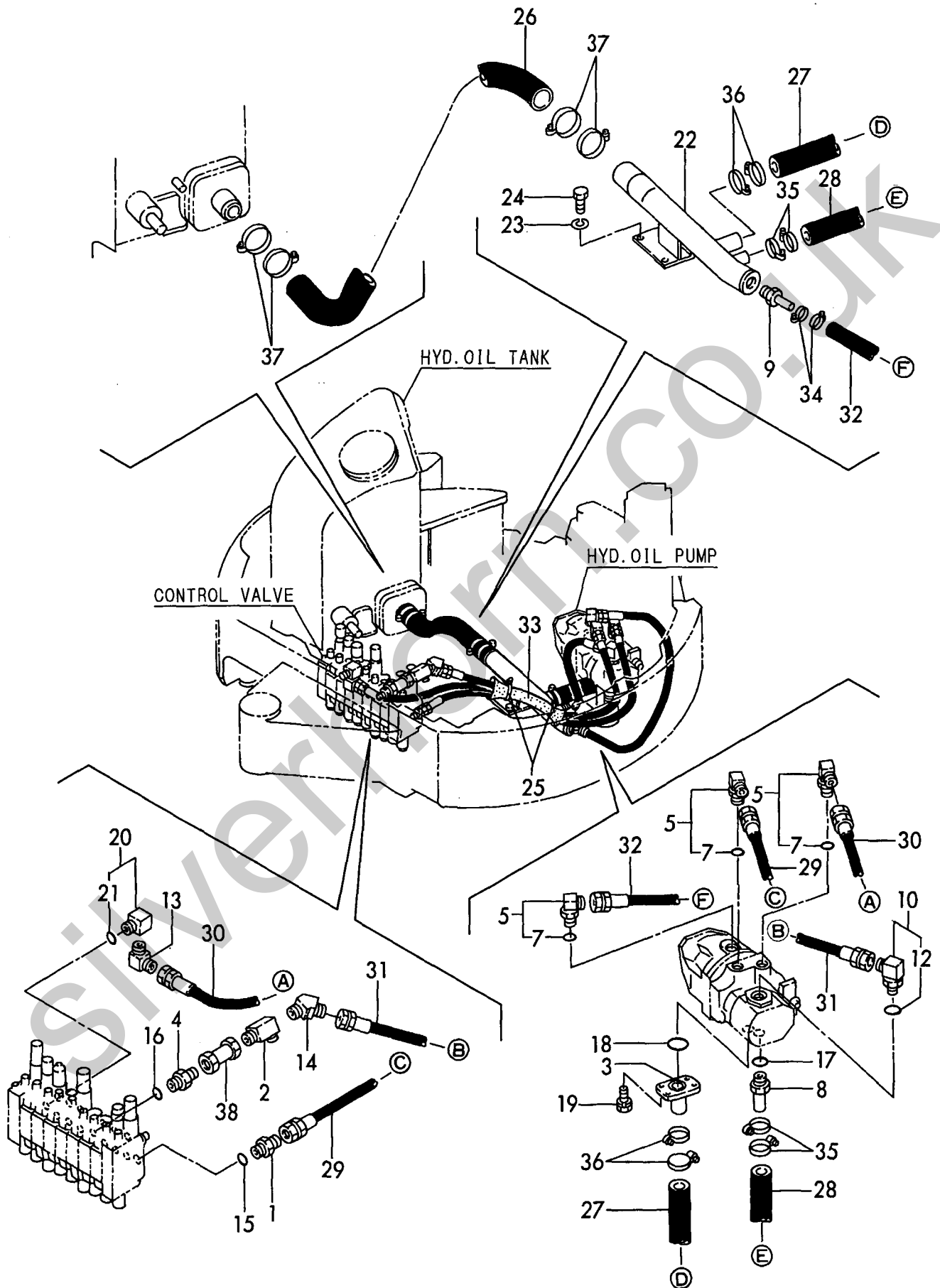
1 inc. (1) ~ 30



1,1,,172730-75140,,ADAPTOR,1,,,,,,,,,,,,,,,,,,,,,
2,1,,172183-76110,, "JOINT 3/8,3-WAY",1,,,,,,,,,,,,,,,,,,,,,
3,1,,172116-76160,, "FLANGE, SUCTION",1,,,,,,,,,,,,,,,,,,,,,
4,1,,172147-76170,,CONNECTOR,1,,,,,,,,,,,,,,,,,,,,,
5,1,,172142-76180,,JOINT,3,,,,,,,,,,,,,,,,,,,,,
7,2,,24315-000140,, "O-RING 1B P-14.0",3,,,,,,,,,,,,,,,,,,,,,
8,1,,172183-76190,, "JOINT PF1/2",1,,,,,,,,,,,,,,,,,,,,,
9,1,,172183-76220,, "CONNECTR.PT3/8,DRAIN",1,,,,,,,,,,,,,,,,,,,,,
10,1,,172157-76300,, "ELBOW 3/8-1/2",1,,,,,,,,,,,,,,,,,,,,,
12,2,,24315-000180,, "O-RING 1B P-18.0",1,,,,,,,,,,,,,,,,,,,,,
13,1,,23393-030000,, "JOINT 90RGI 3/8",1,,,,,,,,,,,,,,,,,,,,,
14,1,,23394-030000,, "JOINT 45RGI 3/8",1,,,,,,,,,,,,,,,,,,,,,
15,1,,24315-000140,, "O-RING 1B P-14.0",1,,,,,,,,,,,,,,,,,,,,,
16,1,,24315-000140,, "O-RING 1B P-14.0",1,,,,,,,,,,,,,,,,,,,,,
17,1,,24315-000180,, "O-RING 1B P-18.0",1,,,,,,,,,,,,,,,,,,,,,
18,1,,24315-000300,, "O-RING 1B P-30.0",1,,,,,,,,,,,,,,,,,,,,,
19,1,,26013-100202,, "BOLT W/WASHER M10X20",4,,,,,,,,,,,,,,,,,,,,,
20,1,,933111-50001,,CONNECTOR,1,,,,,,,,,,,,,,,,,,,,,
21,2,,24315-000140,, "O-RING 1B P-14.0",1,,,,,,,,,,,,,,,,,,,,,
22,1,,172183-76400,, "TUBE COMP.,SUCTION",1,,,,,,,,,,,,,,,,,,,,,
23,1,,22217-100000,, "SPRING WASHER 10",2,,,,,,,,,,,,,,,,,,,,,
24,1,,26116-100202,, "BOLT M10X 20 PLATED",2,,,,,,,,,,,,,,,,,,,,,
25,1,,194250-51660,, "BAND 250",2,,,,,,,,,,,,,,,,,,,,,
26,1,,172183-78010,, "HOSE 38.1X50.2",1,,,,,,,,,,,,,,,,,,,,,
27,1,,172183-78030,, "HOSE 25.4X37.5",1,,,,,,,,,,,,,,,,,,,,,
28,1,,172183-78050,, "HOSE 19.0X31.4",1,,,,,,,,,,,,,,,,,,,,,
29,1,,172183-78110,, "HOSE H206BB078",1,,,,,,,,,,,,,,,,,,,,,
30,1,,172183-78120,, "HOSE H206BB098",1,,,,,,,,,,,,,,,,,,,,,
31,1,,172183-78130,, "HOSE H206BB056",1,,,,,,,,,,,,,,,,,,,,,
32,1,,172183-78150,, "HOSE G806BY055S",1,,,,,,,,,,,,,,,,,,,,,
33,1,,172183-78180,, "COVER 52.5X200,HOSE",1,,,,,,,,,,,,,,,,,,,,,
34,1,,23000-016000,, "CLAMP 16",2,,,,,,,,,,,,,,,,,,,,,
35,1,,23000-035000,, "CLAMP 35",4,,,,,,,,,,,,,,,,,,,,,
36,1,,23000-041000,, "CLAMP 41",4,,,,,,,,,,,,,,,,,,,,,
37,1,,23000-060000,, "CLAMP 60",4,,,,,,,,,,,,,,,,,,,,,
38,1,,172183-74110,, "VALVE COMP.,CHECK",1,,,,,,,,,,,,,,,,,,,,,



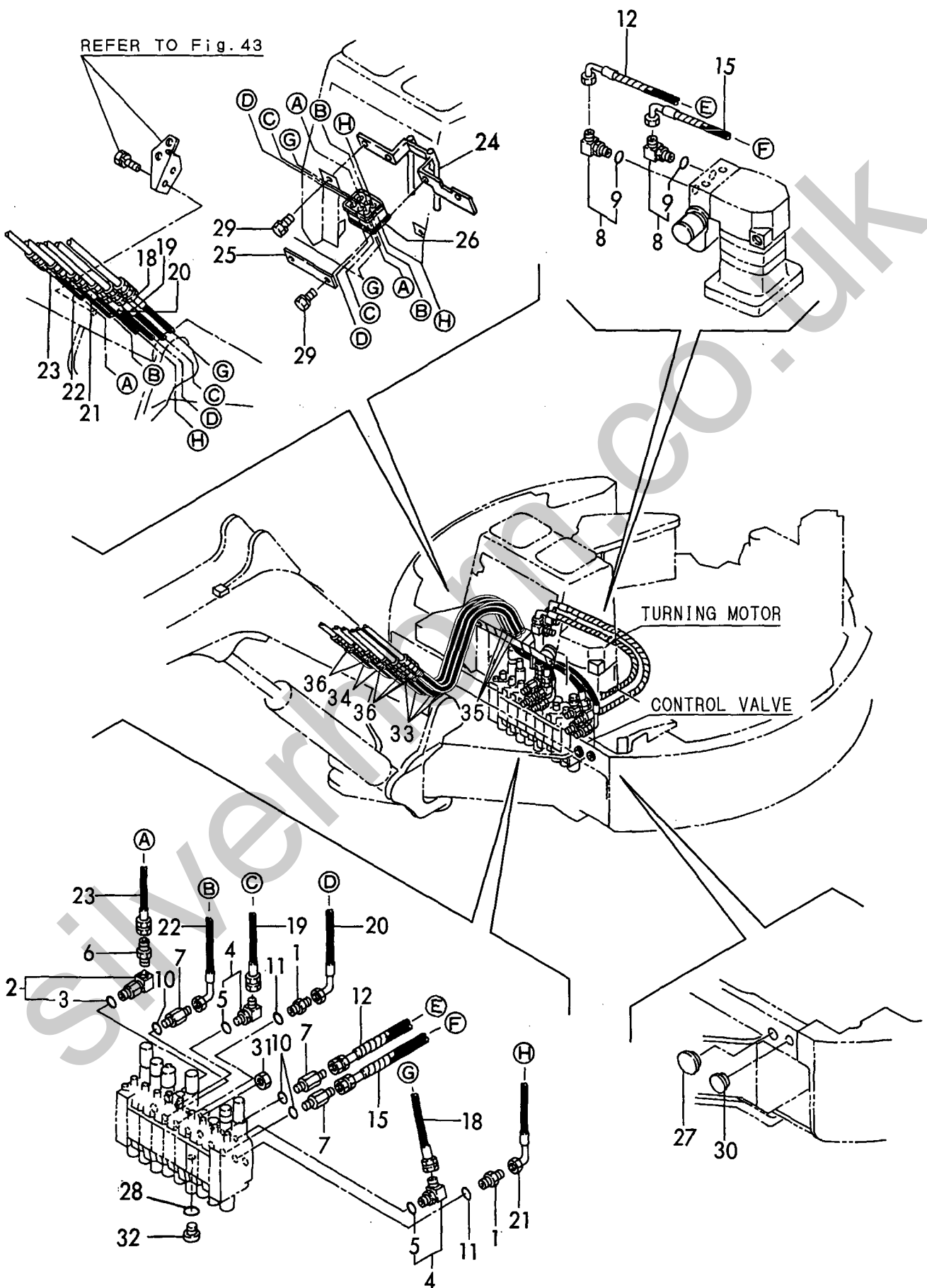
Fig. 37 HYD. OIL PIPING (TANK ~ PUMP ~ VALVE)



1,1,,172123-76120,, "CONNECTOR PF1/4",2,,,,,,,,,,,,,,,,,,,,,
 2,1,,172183-76130,, "CONNECTOR 3/8 COMPL.",1,,,,,,,,,,,,,,,,,,,,,
 3,2,,24315-000110,, "O-RING 1B P-11.0",1,,,,,,,,,,,,,,,,,,,,,
 4,1,,172141-76180,, CONNECTOR,2,,,,,,,,,,,,,,,,,,,,,
 5,2,,24315-000110,, "O-RING 1B P-11.0",2,,,,,,,,,,,,,,,,,,,,,
 6,1,,172312-76190,, "NIPPLE 3/8X1/4",1,,,,,,,,,,,,,,,,,,,,,
 7,1,,172183-76200,, "CONNECTOR 1/4-1/4",3,,,,,,,,,,,,,,,,,,,,,
 8,1,,172141-76920,, "CONNECTOR 3/8-1/4L",2,,,,,,,,,,,,,,,,,,,,,
 9,2,,24315-000140,, "O-RING 1B P-14.0",2,,,,,,,,,,,,,,,,,,,,,
 10,1,,24315-000110,, "O-RING 1B P-11.0",3,,,,,,,,,,,,,,,,,,,,,
 11,1,,24315-000110,, "O-RING 1B P-11.0",2,,,,,,,,,,,,,,,,,,,,,
 12,1,,172157-78180,, HOSE,1,,,,,,,,,,,,,,,,,,,,,
 15,1,,172157-78180,, HOSE,1,,,,,,,,,,,,,,,,,,,,,
 18,1,,172183-78810,, HOSE,1,,,,,,,,,,,,,,,,,,,,,
 19,1,,172183-78820,, HOSE,1,,,,,,,,,,,,,,,,,,,,,
 20,1,,172183-78830,, HOSE,1,,,,,,,,,,,,,,,,,,,,,
 21,1,,172183-78840,, HOSE,1,,,,,,,,,,,,,,,,,,,,,
 22,1,,172183-78850,, HOSE,1,,,,,,,,,,,,,,,,,,,,,
 23,1,,172183-78860,, HOSE,1,,,,,,,,,,,,,,,,,,,,,
 24,1,,172183-78902,, "SUPPOT ASSY, HOSE",1,,,,,,,,,,,,,,,,,,,,,
 25,1,,172183-78950,, PLATE,1,,,,,,,,,,,,,,,,,,,,,
 26,1,,172183-78960,, "CLAMP,RUBBER",1,,,,,,,,,,,,,,,,,,,,,
 27,1,,172183-76210,, "GROMMET 18",1,,,,,,,,,,,,,,,,,,,,,
 28,1,,24315-000140,, "O-RING 1B P-14.0",1,,,,,,,,,,,,,,,,,,,,,
 29,1,,26013-100252,, "BOLT W/WASHER M10X25",4,,,,,,,,,,,,,,,,,,,,,
 30,1,,172312-17260,, "GROMMET 22X2.3",1,,,,,,,,,,,,,,,,,,,,,
 31,1,,172137-75570,, "ADAPTER PF1/2",1,,,,,,,,,,,,,,,,,,,,,
 32,1,,172183-76180,, "PLUG PF3/8,BLANK",1,,,,,,,,,,,,,,,,,,,,,
 33,1,,172149-78970,, "COVER, HOSE",4,,,,,,,,,,,,,,,,,,,,,
 34,1,,172122-79880,, COVER,2,,,,,,,,,,,,,,,,,,,,,
 35,1,,172122-79920,, CLAMP,6,,,,,,,,,,,,,,,,,,,,,
 36,1,,23000-016000,, "CLAMP 16",6,,,,,,,,,,,,,,,,,,,,,

Silverhorn.CO.UK

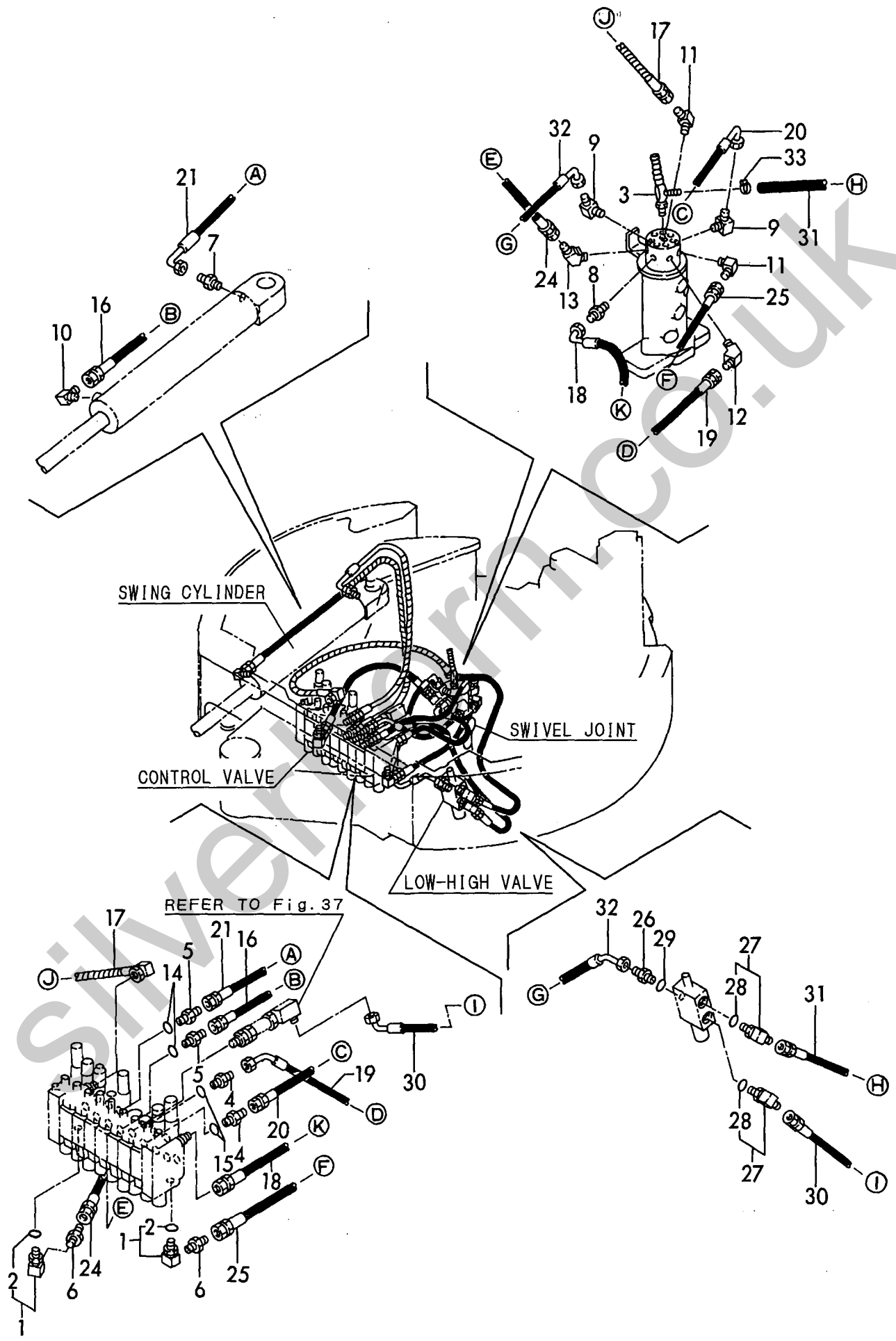
Fig. 38 HYD. OIL PIPING (VALVE ~ MOTOR, BOOM)



1,1,,172137-76100,, "ELBOW PF1/4",2,,,,,,,,,,,,,,,,,,,,,
2,2,,24315-000110,, "O-RING 1B P-11.0",2,,,,,,,,,,,,,,,,,,,,,
3,1,,172183-76100,, "JOINT,3-WAY",1,,,,,,,,,,,,,,,,,,,,,
4,1,,172123-76120,, "CONNECTOR PF1/4",2,,,,,,,,,,,,,,,,,,,,,
5,1,,172183-76200,, "CONNECTOR 1/4-1/4",2,,,,,,,,,,,,,,,,,,,,,
6,1,,172312-76240,, "NIPPLE 1/4-3/8",2,,,,,,,,,,,,,,,,,,,,,
7,1,,23391-020000,, "JOINT RGI1/4",1,,,,,,,,,,,,,,,,,,,,,
8,1,,23391-030000,, "JOINT RGI 3/8",1,,,,,,,,,,,,,,,,,,,,,
9,1,,23393-020000,, "JOINT 90RGI1/4",2,,,,,,,,,,,,,,,,,,,,,
10,1,,23393-020000,, "JOINT 90RGI1/4",1,,,,,,,,,,,,,,,,,,,,,
11,1,,23393-030000,, "JOINT 90RGI 3/8",2,,,,,,,,,,,,,,,,,,,,,
12,1,,23394-020000,, "JOINT 45RGI1/4",1,,,,,,,,,,,,,,,,,,,,,
13,1,,23394-030000,, "JOINT 45RGI 3/8",1,,,,,,,,,,,,,,,,,,,,,
14,1,,24315-000110,, "O-RING 1B P-11.0",2,,,,,,,,,,,,,,,,,,,,,
15,1,,24315-000110,, "O-RING 1B P-11.0",2,,,,,,,,,,,,,,,,,,,,,
16,1,,172183-78500,, "HOSE",1,,,,,,,,,,,,,,,,,,,,,
17,1,,172183-78550,, "HOSE P206BV044S",1,,,,,,,,,,,,,,,,,,,,,
18,1,,172183-78560,, "HOSE P206BC038",1,,,,,,,,,,,,,,,,,,,,,
19,1,,172183-78570,, "HOSE P204BE032",1,,,,,,,,,,,,,,,,,,,,,
20,1,,172183-78580,, "HOSE P204BC038",1,,,,,,,,,,,,,,,,,,,,,
21,1,,172142-78590,, "HOSE",1,,,,,,,,,,,,,,,,,,,,,
24,1,,172183-78590,, "HOSE P206BB036",1,,,,,,,,,,,,,,,,,,,,,
25,1,,172183-78590,, "HOSE P206BB036",1,,,,,,,,,,,,,,,,,,,,,
26,1,,172123-76120,, "CONNECTOR PF1/4",1,,,,,,,,,,,,,,,,,,,,,
27,1,,172141-76180,, "CONNECTOR",2,,,,,,,,,,,,,,,,,,,,,
28,2,,24315-000110,, "O-RING 1B P-11.0",2,,,,,,,,,,,,,,,,,,,,,
29,1,,24315-000110,, "O-RING 1B P-11.0",1,,,,,,,,,,,,,,,,,,,,,
30,1,,172183-78450,, "HOSE P204BC044",1,,,,,,,,,,,,,,,,,,,,,
31,1,,172183-78470,, "HOSE G804CY065",1,,,,,,,,,,,,,,,,,,,,,
32,1,,172183-78610,, "HOSE P204CE056",1,,,,,,,,,,,,,,,,,,,,,
33,1,,23010-014000,, "CLAMP 14",1,,,,,,,,,,,,,,,,,,,,,



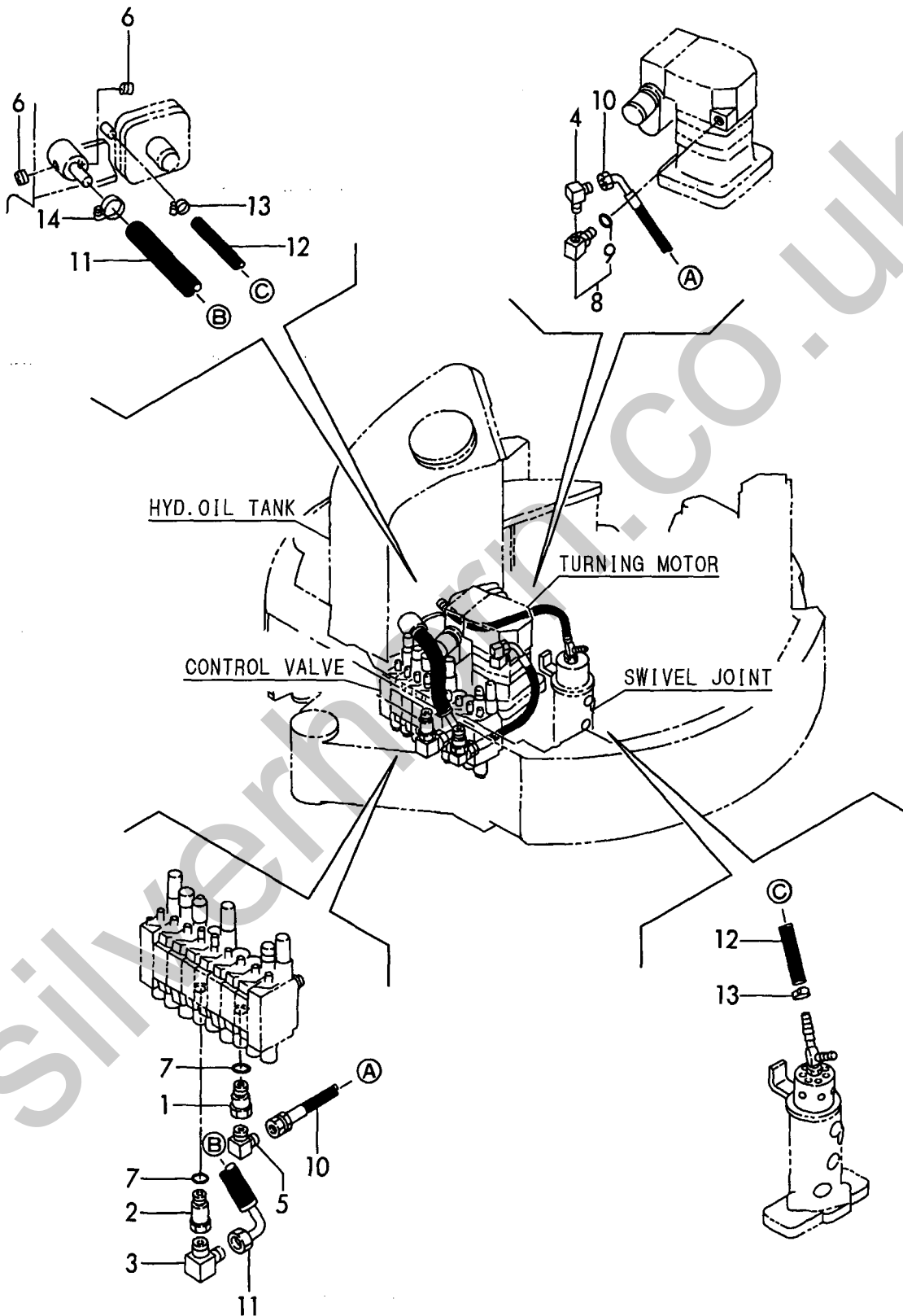
Fig. 39 HYD. OIL PIPING (VALVE ~ SWIVEL, SWING)



1,1,,172183-76150,, "CONNECTOR 1/2-3/8",1,,,,,,,,,,,,,,,,,,,,,
2,1,,172183-76160,, "CONNECTOR 1/2-1/2",1,,,,,,,,,,,,,,,,,,,,,
3,1,,172165-76200,, "CONNECTOR PT1/2PF3/4",1,,,,,,,,,,,,,,,,,,,,,
4,1,,23393-030000,, "JOINT 90RGI 3/8",1,,,,,,,,,,,,,,,,,,,,,
5,1,,23393-030000,, "JOINT 90RGI 3/8",1,,,,,,,,,,,,,,,,,,,,,
6,1,,23871-030000,, "PLUG PT3/8,SCREW",2,,,,,,,,,,,,,,,,,,,,,
7,1,,24315-000180,, "O-RING 1B P-18.0",2,,,,,,,,,,,,,,,,,,,,,
8,1,,933111-50001,, "CONNECTOR",1,,,,,,,,,,,,,,,,,,,,,
9,2,,24315-000140,, "O-RING 1B P-14.0",1,,,,,,,,,,,,,,,,,,,,,
10,1,,172183-78070,, "HOSE G606BE038",1,,,,,,,,,,,,,,,,,,,,,
11,1,,172183-78080,, "HOSE G612CY041",1,,,,,,,,,,,,,,,,,,,,,
12,1,,172183-78620,, "HOSE G806YY042",1,,,,,,,,,,,,,,,,,,,,,
13,1,,23000-016000,, "CLAMP 16",2,,,,,,,,,,,,,,,,,,,,,
14,1,,23000-035000,, "CLAMP 35",1,,,,,,,,,,,,,,,,,,,,,

Silverhorn.CO.UK

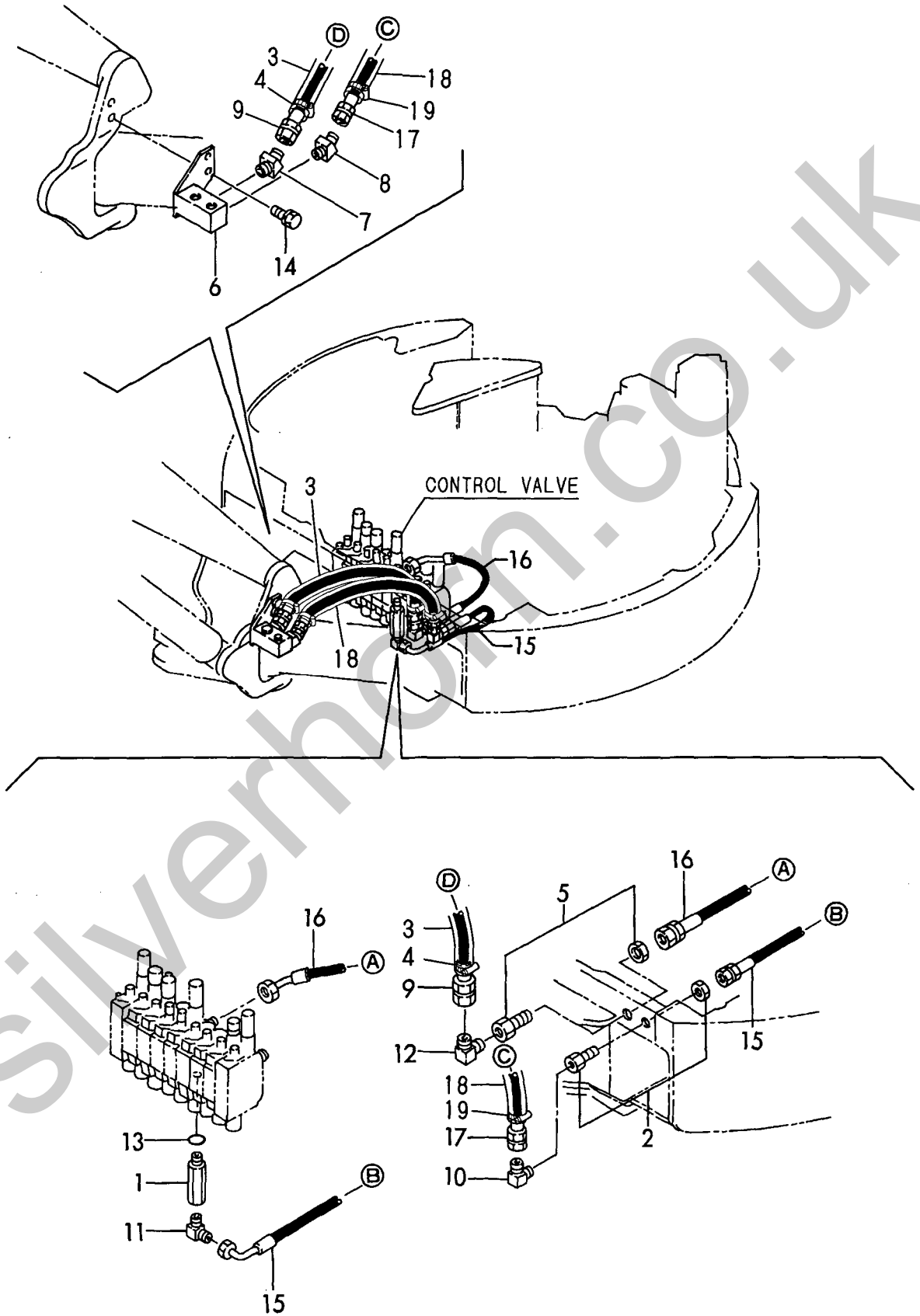
Fig. 40 HYD. OIL PIPING (RETURN)



1,1,,172183-76170,, "CONNECTOR 3/8-3/8",1,,,,,,,,,,,,,,,,,,,,,
2,1,,172145-76180,, "JOINT 3/8",1,,,,,,,,,,,,,,,,,,,,,
3,1,,172142-78770,, "COVER 16-730, HOSE",1,,,,,,,,,,,,,,,,,,,,,
4,1,,23000-025000,, "CLAMP 25",2,,,,,,,,,,,,,,,,,,,,,
5,1,,172142-76250,, "JOINT 1/2",1,,,,,,,,,,,,,,,,,,,,,
6,1,,172183-76300,, "JOINT COMP., 3RD",1,,,,,,,,,,,,,,,,,,,,,
7,1,,23394-040000,, "JOINT 45RGI1/4",1,,,,,,,,,,,,,,,,,,,,,
8,1,,23394-030000,, "JOINT 45RGI 3/8",1,,,,,,,,,,,,,,,,,,,,,
9,1,,172183-79120,, "HOSE H208BB069",1,,,,,,,,,,,,,,,,,,,,,
10,1,,23393-030000,, "JOINT 90RGI 3/8",1,,,,,,,,,,,,,,,,,,,,,
11,1,,23393-030000,, "JOINT 90RGI 3/8",1,,,,,,,,,,,,,,,,,,,,,
12,1,,23393-040000,, "JOINT 90RGI 1/2",1,,,,,,,,,,,,,,,,,,,,,
13,1,,24315-000140,, "O-RING 1B P-14.0",1,,,,,,,,,,,,,,,,,,,,,
14,1,,26013-100252,, "BOLT W/WASHER M10X25",2,,,,,,,,,,,,,,,,,,,,,
15,1,,172183-79050,, "HOSE H206BC063",1,,,,,,,,,,,,,,,,,,,,,
16,1,,172183-79061,, "HOSE H208BC053S",1,,,,,,,,,,,,,,,,,,,,,
17,1,,172183-79110,, "HOSE H206BB075",1,,,,,,,,,,,,,,,,,,,,,
18,1,,172183-78190,, "COVER, HOSE",1,,,,,,,,,,,,,,,,,,,,,
19,1,,23000-035000,, "CLAMP 35",2,,,,,,,,,,,,,,,,,,,,,

Silverhorn.CO.UK

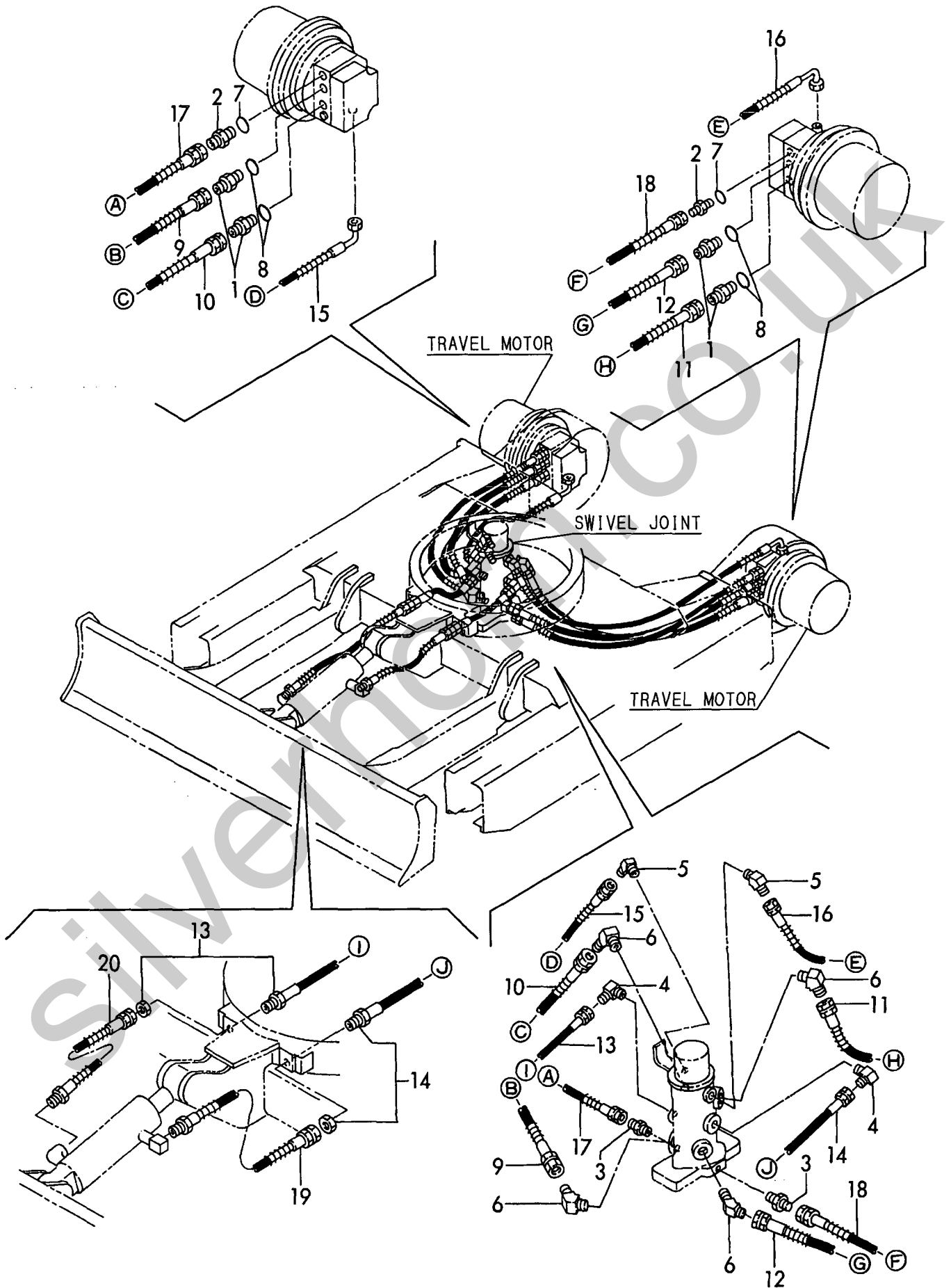
Fig. 41 HYD. OIL PIPING (P. T. O. VALVE ~ BOOM BRACKET)



1,1,,172730-75140,,ADAPTOR,4,,,,,,,,,,,,,,,,,,,,,
2,1,,172123-76120,,,"CONNECTOR PF1/4",2,,,,,,,,,,,,,,,,,,,,,
3,1,,23391-020000,,,"JOINT RGI1/4",2,,,,,,,,,,,,,,,,,,,,,
4,1,,23393-020000,,,"JOINT 90RGI1/4",2,,,,,,,,,,,,,,,,,,,,,
5,1,,23394-020000,,,"JOINT 45RGI1/4",2,,,,,,,,,,,,,,,,,,,,,
6,1,,23394-030000,,,"JOINT 45RGI 3/8",4,,,,,,,,,,,,,,,,,,,,,
7,1,,24315-000110,,,"O-RING 1B P-11.0",2,,,,,,,,,,,,,,,,,,,,,
8,1,,24315-000140,,,"O-RING 1B P-14.0",4,,,,,,,,,,,,,,,,,,,,,
9,1,,172183-78650,,,"HOSE P206BB073W",1,,,,,,,,,,,,,,,,,,,,,
10,1,,172183-78650,,,"HOSE P206BB073W",1,,,,,,,,,,,,,,,,,,,,,
11,1,,172183-78650,,,"HOSE P206BB073W",1,,,,,,,,,,,,,,,,,,,,,
12,1,,172183-78650,,,"HOSE P206BB073W",1,,,,,,,,,,,,,,,,,,,,,
13,1,,172183-78670,,,"HOSE P204BX023",1,,,,,,,,,,,,,,,,,,,,,
14,1,,172183-78670,,,"HOSE P204BX023",1,,,,,,,,,,,,,,,,,,,,,
15,1,,172183-78710,,,"HOSE P204BC085W",1,,,,,,,,,,,,,,,,,,,,,
16,1,,172183-78710,,,"HOSE P204BC085W",1,,,,,,,,,,,,,,,,,,,,,
17,1,,172183-78730,,,"HOSE P204BB077W",1,,,,,,,,,,,,,,,,,,,,,
18,1,,172183-78730,,,"HOSE P204BB077W",1,,,,,,,,,,,,,,,,,,,,,
19,1,,172183-78750,,HOSE,1,,,,,,,,,,,,,,,,,,,,,
20,1,,172183-78760,,HOSE,1,,,,,,,,,,,,,,,,,,,,,

Silverhorn.CO.UK

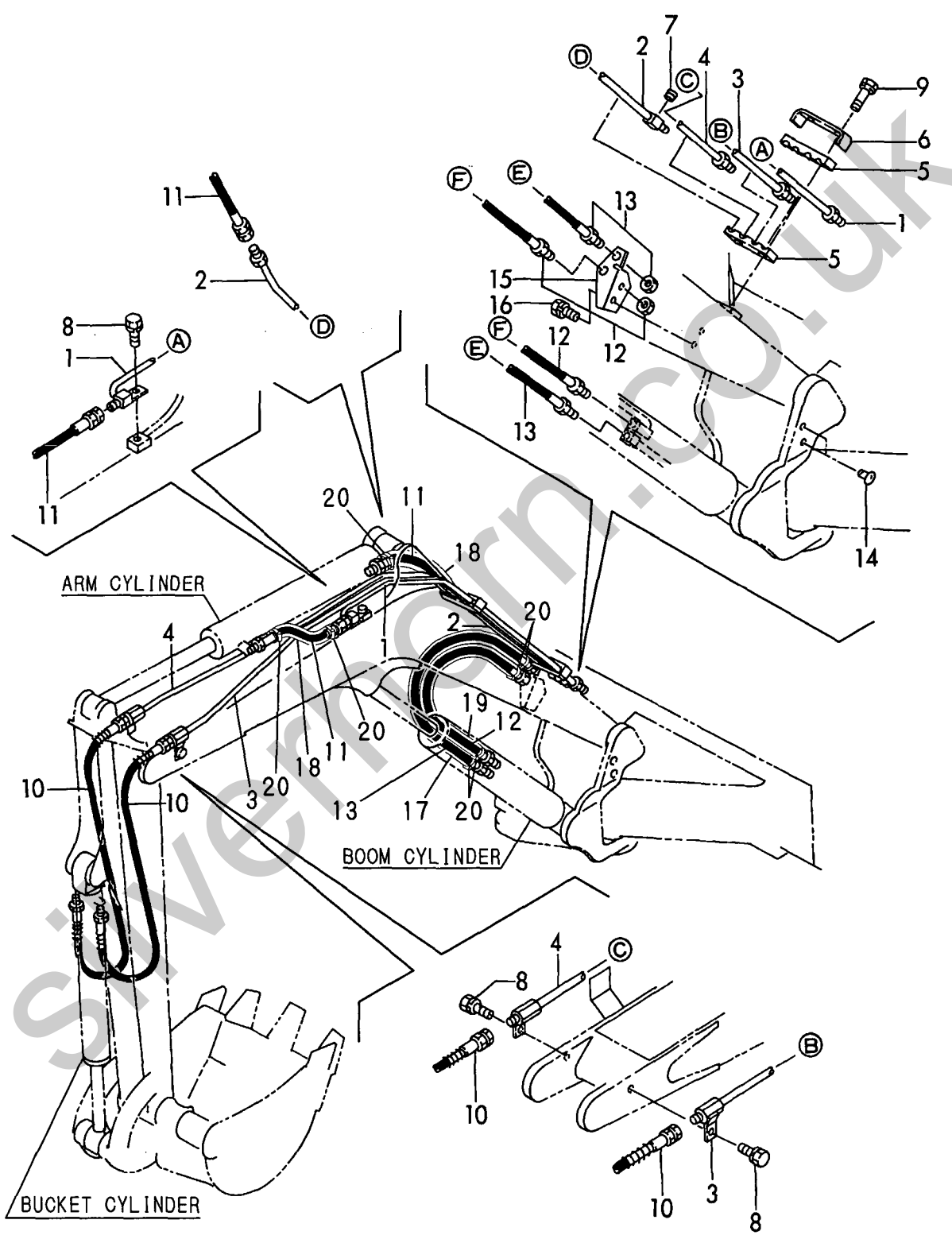
Fig. 42 HYD. OIL PIPING (TRAVEL)



1,1,,172149-76450-4,, "TUBE(L),ARM",1,,,,,,,,,,,,,,,,,,,,,
1-1,1,,172149-76450-1,, "TUBE(L),ARM",1,,,,,,S,,72438003,M/#02637,,,,,,,,,,,,,I
2,1,,172149-76471-4,, "TUBE(R),ARM",1,,,,,,,,,,,,,,,,,,,,,
2-1,1,,172149-76471-1,, "TUBE(R),AR",1,,,,,,S,,72438003,M/#02637,,,,,,,,,,,,,I
3,1,,172149-76490-4,, "TUBE(L),BUCKET",1,,,,,,,,,,,,,,,,,,,,,
3-1,1,,172149-76490-1,, "TUBE(L),BUCKET",1,,,,,,S,,72438003,M/#02637,,,,,,,,,,,,,I
4,1,,172149-76520-4,, "TUBE(R),BUCKET",1,,,,,,,,,,,,,,,,,,,,,
4-1,1,,172149-76520-1,, "TUBE(R), BUCKET",1,,,,,,S,,72438003,M/#02637,,,,,,,,,,,,,I
5,1,,172183-76710,, "CLAMP 12X4,TUBE",4,,,,,,,,,,,,,,,,,,,,,
6,1,,172183-76720,, "CLAMP,TUBE",2,,,,,,,,,,,,,,,,,,,,,
6-1,1,,172183-76720-1,, "CLAMP,TUBE",2,,,,,,S,,72438003,M/#02637,,,,,,,,,,,,,I
7,1,,23871-010000,, "PLUG PT1/8,SCREW",1,,,,,,,,,,,,,,,,,,,,,
8,1,,26013-080162,, "BOLT W/WASHER M8X16",3,,,,,,,,,,,,,,,,,,,,,
9,1,,26013-080352,, "BOLT M 8X 35",4,,,,,,,,,,,,,,,,,,,,,
10,1,,172150-78150,,HOSE,2,,,,,,,,,,,,,,,,,,,,,
11,1,,172183-78790,,HOSE,2,,,,,,,,,,,,,,,,,,,,,
12,1,,172183-78880,,HOSE,1,,,,,,,,,,,,,,,,,,,,,
13,1,,172183-78890,,HOSE,1,,,,,,,,,,,,,,,,,,,,,
14,1,,172183-81160,, "TREE CLIP",2,,,,,,,,,,,,,,,,,,,,,
15,1,,172183-78980,, "SADDLE,RUBBER",1,,,,,,,,,,,,,,,,,,,,,
16,1,,26013-100162,, "BOLT M10X 16",2,,,,,,,,,,,,,,,,,,,,,
17,1,,172149-78980,, "COVER, HOSE",1,,,,,,,,,,,,,,,,,,,,,
18,1,,172150-79040,,COVER,2,,,,,,,,,,,,,,,,,,,,,
19,1,,172122-79880,,COVER,1,,,,,,,,,,,,,,,,,,,,,
20,1,,23000-016000,, "CLAMP 16",8,,,,,,,,,,,,,,,,,,,,,

Silverhorn.CO.UK

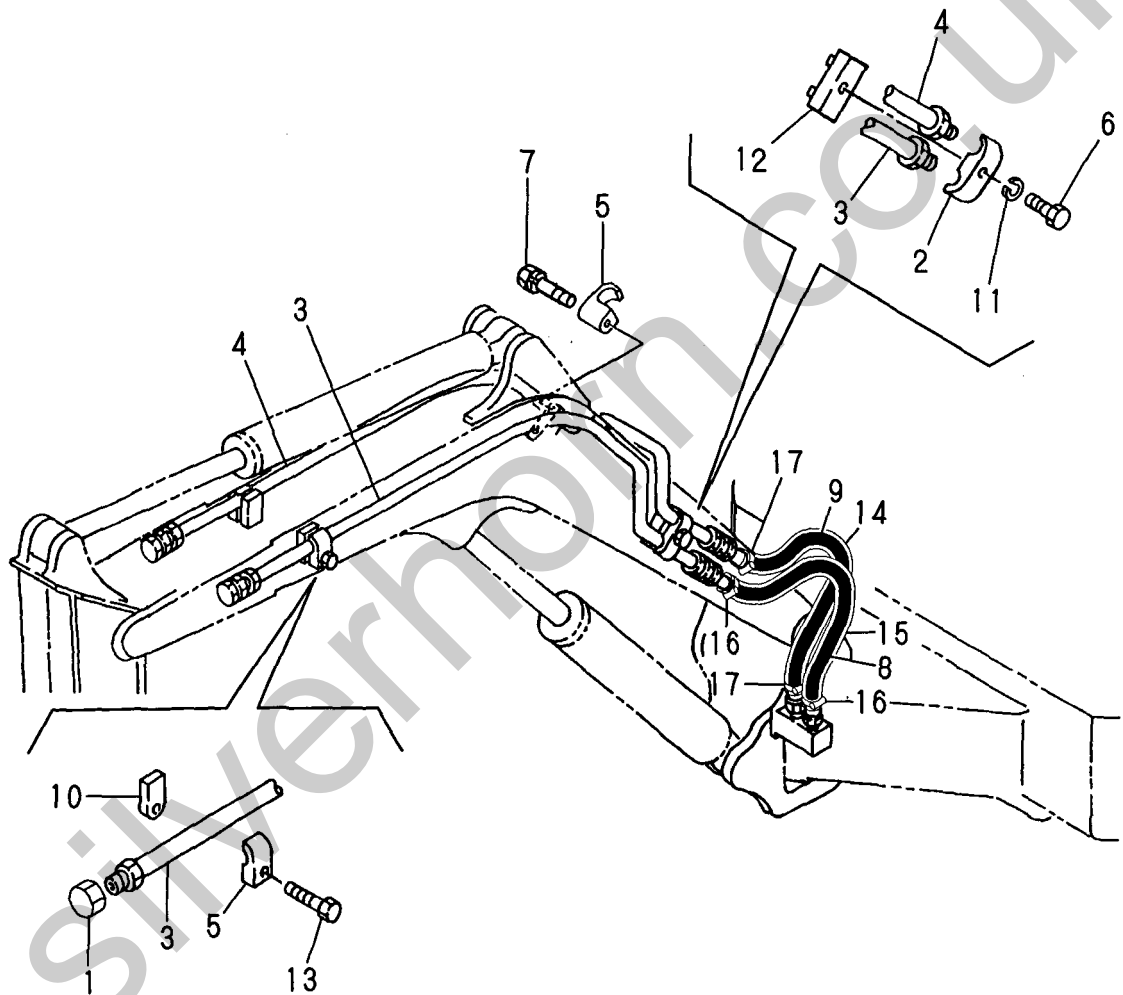
Fig. 43 HYD. OIL PIPING (BOOM)



1,1,,172137-75570,, "ADAPTER PF1/2",2,,,,,,,,,,,,,,,,,,,,,
2,1,,172112-76300-4,, "RETAINER A,BOOM PIPE",1,,,,,,,,,,,,,,,,,,,,,
2-1,1,,172112-76300-3,, "RETAINER A,BOOM
PIPE",1,,,,,,,,,S,,72438003,M/#02637,,,,,,,,,,,,,I
3,1,,172183-76620,, "TUBE L COMP.,3RD",1,,,,,,,,,,,,,,,,,,,,,
3-1,1,,172183-76620-1,, "TUBE L
COMP.,3RD",1,,,,,,,,,S,,72438003,M/#02637,,,,,,,,,,,,,I
4,1,,172183-76650,, "TUBE R COMP.,3RD",1,,,,,,,,,,,,,,,,,,,,,
4-1,1,,172183-76650-1,, "TUBE R
COMP.,3RD",1,,,,,,,,,S,,72438003,M/#02637,,,,,,,,,,,,,I
5,1,,172142-76950-4,, "CLAMP 1/2 (GREEN:97)",3,,,,,,,,,,,,,,,,,,,,,
5-1,1,,172142-76950,, "CLAMP 1/2",3,,,,,,,,,S,,72438003,M/#02637,,,,,,,,,,,,,I
6,1,,26116-100552,, "BOLT M10X 55 PLATED",1,,,,,,,,,,,,,,,,,,,,,
7,1,,26013-120402,, "BOLT M12X 40",1,,,,,,,,,,,,,,,,,,,,,
8,1,,172183-79140,, "HOSE H206AB049",1,,,,,,,,,,,,,,,,,,,,,
9,1,,172183-79150,, "HOSE H208AB049",1,,,,,,,,,,,,,,,,,,,,,
10,1,,172183-76250,, PLATE,2,,,,,,,,,,,,,,,,,,,,,
10-1,1,,172183-76250-1,, PLATE,2,,,,,,,,,S,,72438003,M/#02637,,,,,,,,,,,,,I
11,1,,22217-100000,, "SPRING WASHER 10",1,,,,,,,,,,,,,,,,,,,,,
12,1,,172183-76260,, SPACER,1,,,,,,,,,,,,,,,,,,,,,
12-1,1,,172183-76260-1,, SPACER,1,,,,,,,,,S,,72438003,M/#02637,,,,,,,,,,,,,I
13,1,,26013-120502,, "BOLT M12X 50",2,,,,,,,,,,,,,,,,,,,,,
14,1,,172157-78640,, "COVER 20X500,HOSE",1,,,,,,,,,,,,,,,,,,,,,
15,1,,172149-78960,, "COVER, HOSE",1,,,,,,,,,,,,,,,,,,,,,
16,1,,23000-025000,, "CLAMP 25",2,,,,,,,,,,,,,,,,,,,,,
17,1,,23000-035000,, "CLAMP 35",2,,,,,,,,,,,,,,,,,,,,,



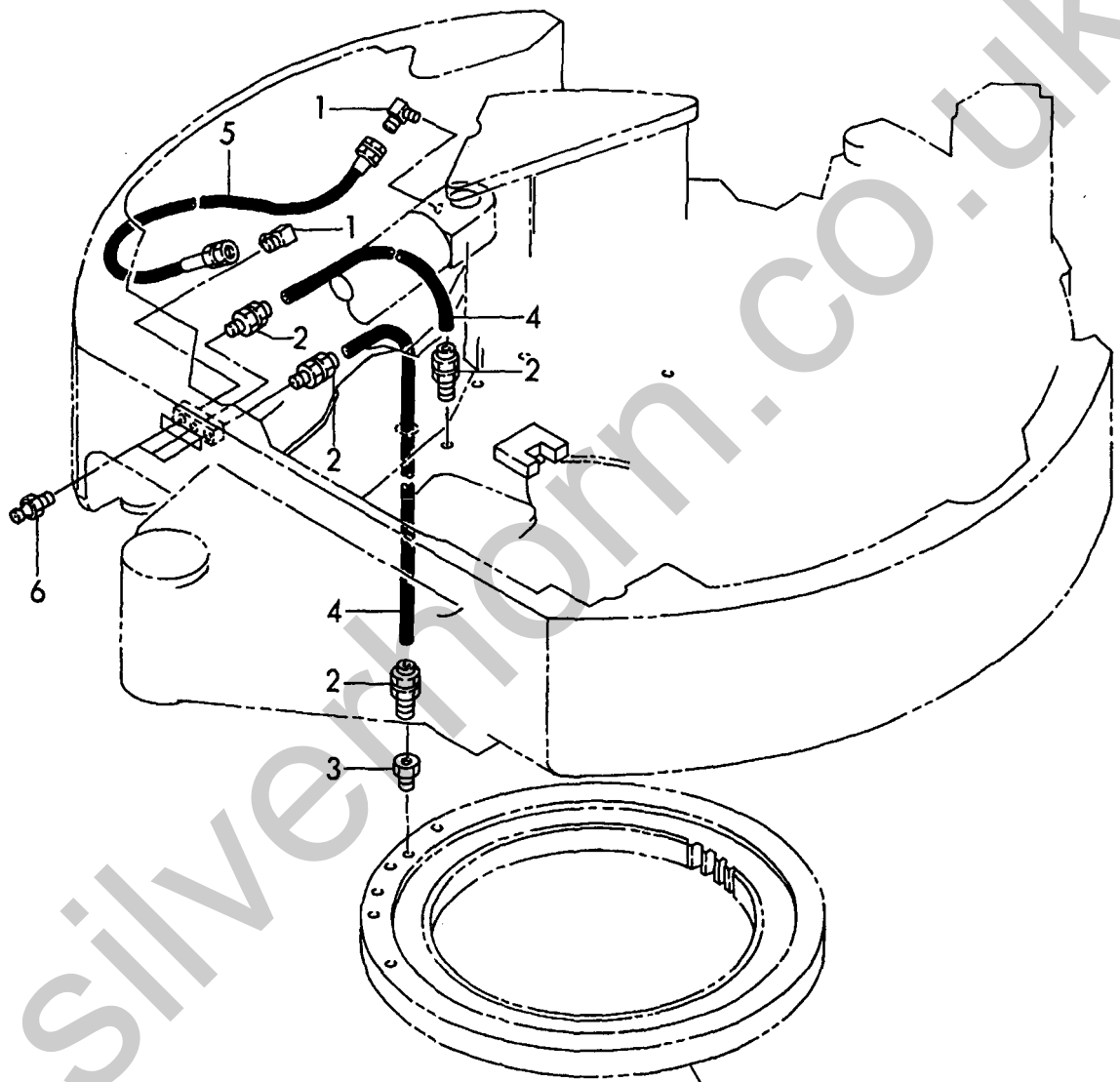
Fig. 44 HYD. OIL PIPING (P. T. O. ARM END)



1,1,,172112-77660,, "L-JOINT 1/8",2,,,,,,,,,,,,,,,,,,,,,
2,1,,172141-77800,, "JOINT, GREASE",4,,,,,,,,,,,,,,,,,,,,,
3,1,,172147-77800,, "CONNECTOR PT 1/8",1,,,,,,,,,,,,,,,,,,,,,
4,1,,172183-77810,, "HOSE P602YY050",2,,,,,,,,,,,,,,,,,,,,,
5,1,,172183-77850,, "HOSE P202FF079",1,,,,,,,,,,,,,,,,,,,,,
6,1,,24761-020000,, "NIPPLE PT1/8,GREASE",3,,,,,,,,,,,,,,,,,,,,,

Silverhorn.CO.UK

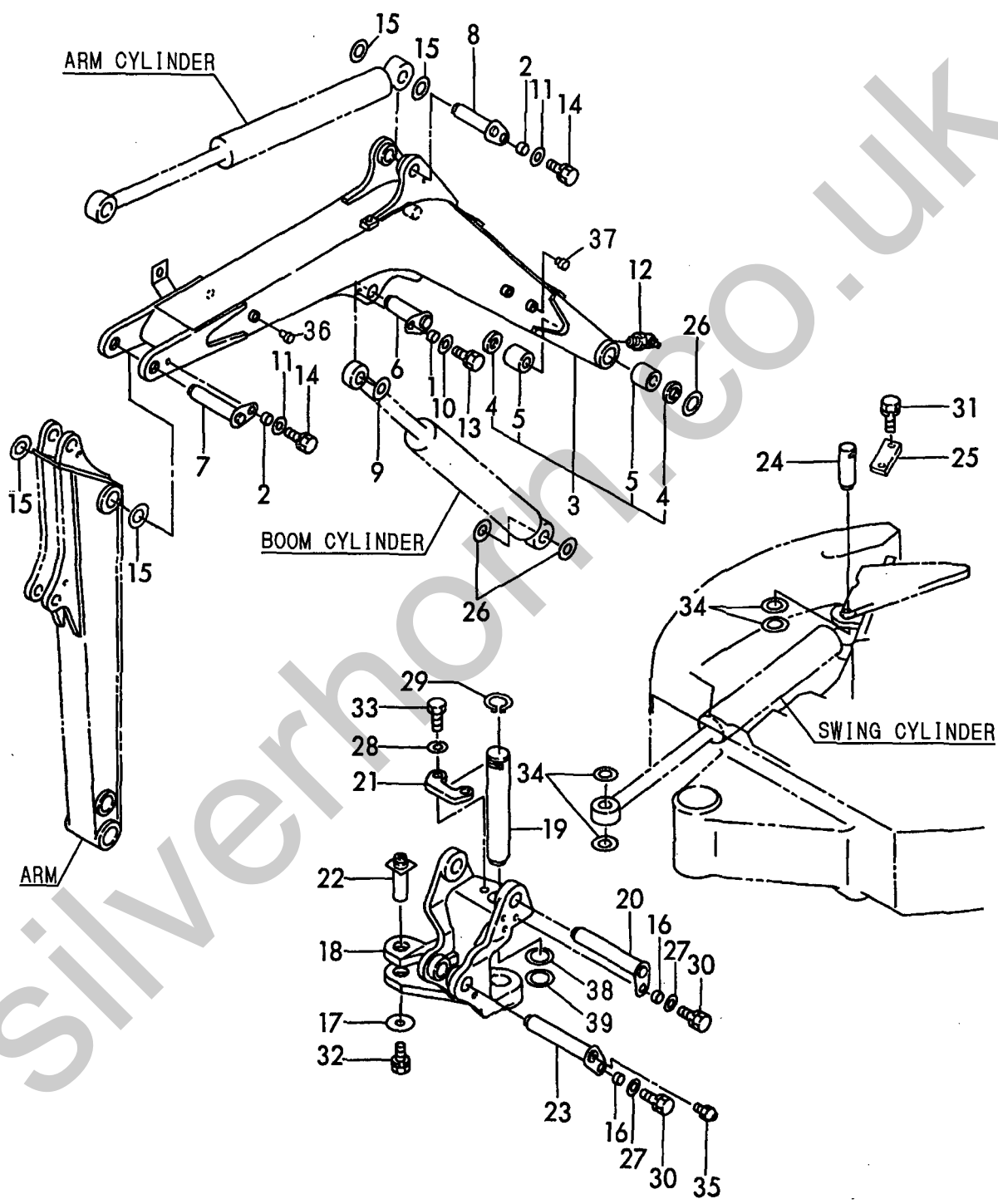
Fig. 45 GREASING



REFER TO Fig. 19

1,1,,172010-01640,,SPACER,1,,,,,,,,,,,,,
2,1,,172010-01640,,SPACER,2,,,,,,,,,,,,,
3,1,,172183-81100,,,"BOOM W/BUSH",1,,,,,,,,,,,,,
3-1,1,,172183-81100-1,,,"BOOM W/BUSH",1,,,,,S,,72438003,M/#02637,,,,,,,,,,,,,I
4,2,,172171-81280,,,"SEAL 35X45X4",2,,,,,,,,,,,,,
5,2,,172141-82270,,,"BUSH 35 45",2,,,,,,,,,,,,,
6,1,,172149-81301-4,,,"PIN 35X114 ASSY",1,,,,,,,,,,,,,
6-1,1,,172149-81301-1,,,"PIN 35X114
COMPL.",1,,,,,S,,72438003,M/#02637,,,,,,,,,,,,,I
7,1,,172149-81321-4,,,"PIN 30X148 ASSY",1,,,,,,,,,,,,,
7-1,1,,172149-81321-1,,,"PIN 30X148
COMPL.",1,,,,,S,,72438003,M/#02637,,,,,,,,,,,,,I
8,1,,172137-81361-4,,,"PIN 30X114 ASSY",1,,,,,,,,,,,,,
8-1,1,,172137-81361-1,,PIN,1,,,,,S,,72438003,M/#02637,,,,,,,,,,,,,I
9,1,,172141-84601,,,"SHIM 35",1,,,,,,,,,,,,,
10,1,,22157-100000,,,"WASHER 10",1,,,,,,,,,,,,,
11,1,,22157-100000,,,"WASHER 10",2,,,,,,,,,,,,,
12,1,,24761-040000,,,"NIPPLE B,GREASE",1,,,,,,,,,,,,,
13,1,,26013-100252,,,"BOLT W/WASHER M10X25",1,,,,,,,,,,,,,
14,1,,26013-100252,,,"BOLT W/WASHER M10X25",2,,,,,,,,,,,,,
15,1,,933160-06711,,,"SHIM 30, PIN ADJUST",2,,,,,,,,,,,,,
16,1,,172010-01640,,SPACER,2,,,,,,,,,,,,,
17,1,,172146-82910,,SPACER,1,,,,,,,,,,,,,
18,1,,172183-83100,,,"BRACKET,BOOM",1,,,,,,,,,,,,,
18-1,1,,172183-83100-1,,,"BRACKET,BOOM",1,,,,,S,,72438003,M/#02637,,,,,,,,,,,,,I
19,1,,172183-83120,,,"PIN 50X267",1,,,,,,,,,,,,,
20,1,,172149-83131-4,,,"PIN 35X213 ASSY",1,,,,,,,,,,,,,
20-1,1,,172149-83131-1,,,"PIN 35X213
COMPL.",1,,,,,S,,72438003,M/#02637,,,,,,,,,,,,,I
21,1,,172183-83130,,,"PLATE,PIN LOCKING",1,,,,,,,,,,,,,
21-1,1,,172183-83130-1,,,"PLATE,PIN
LOCKING",1,,,,,S,,72438003,M/#02637,,,,,,,,,,,,,I
22,1,,172183-83140,,,"PIN 38X92 COMPL.",1,,,,,,,,,,,,,
22-1,1,,172183-83140-1,,,"PIN 38X92
COMPL.",1,,,,,S,,72438003,M/#02637,,,,,,,,,,,,,I
23,1,,172149-83151-4,,,"PIN 35X114B ASSY",1,,,,,,,,,,,,,
23-1,1,,172149-83151-1,,PIN,1,,,,,S,,72438003,M/#02637,,,,,,,,,,,,,I
24,1,,172183-83160,,,"PIN 38X141",1,,,,,,,,,,,,,
25,1,,172141-83390-4,,,"PLATE,PIN LOCK",1,,,,,,,,,,,,,
25-1,1,,172141-83390-1,,,"PLATE,PIN LOCK",1,,,,,S,,72438003,M/#02637,,,,,,,,,,,,,I
26,1,,172141-84601,,,"SHIM 35",2,,,,,,,,,,,,,
27,1,,22157-100000,,,"WASHER 10",2,,,,,,,,,,,,,
28,1,,22217-160000,,,"SPRING WASHER 16",2,,,,,,,,,,,,,
29,1,,22242-000500,,,"CIRCLIP 50",1,,,,,,,,,,,,,
30,1,,26013-100252,,,"BOLT W/WASHER M10X25",2,,,,,,,,,,,,,
31,1,,26013-100252,,,"BOLT W/WASHER M10X25",2,,,,,,,,,,,,,
32,1,,26013-120252,,,"BOLT M12X 25",1,,,,,,,,,,,,,
33,1,,26116-160402,,,"BOLT M16X 40 PLATED",2,,,,,,,,,,,,,
34,1,,933171-29751,,,"SHIM SET,38X(0.8,1.2)",2,,,,,,,,,,,,,
35,1,,24761-020000,,,"NIPPLE PT1/8,GREASE",1,,,,,,,,,,,,,
36,1,,172183-81170,,,"TREE CLIP",3,,,,,,,,,,,,,
37,1,,172183-81160,,,"TREE CLIP",2,,,,,,,,,,,,,
38,1,,172173-81700,,SHIM,1,,,,,,,,,,,,,
39,1,,172173-81710,,SHIM,1,,,,,,,,,,,,,

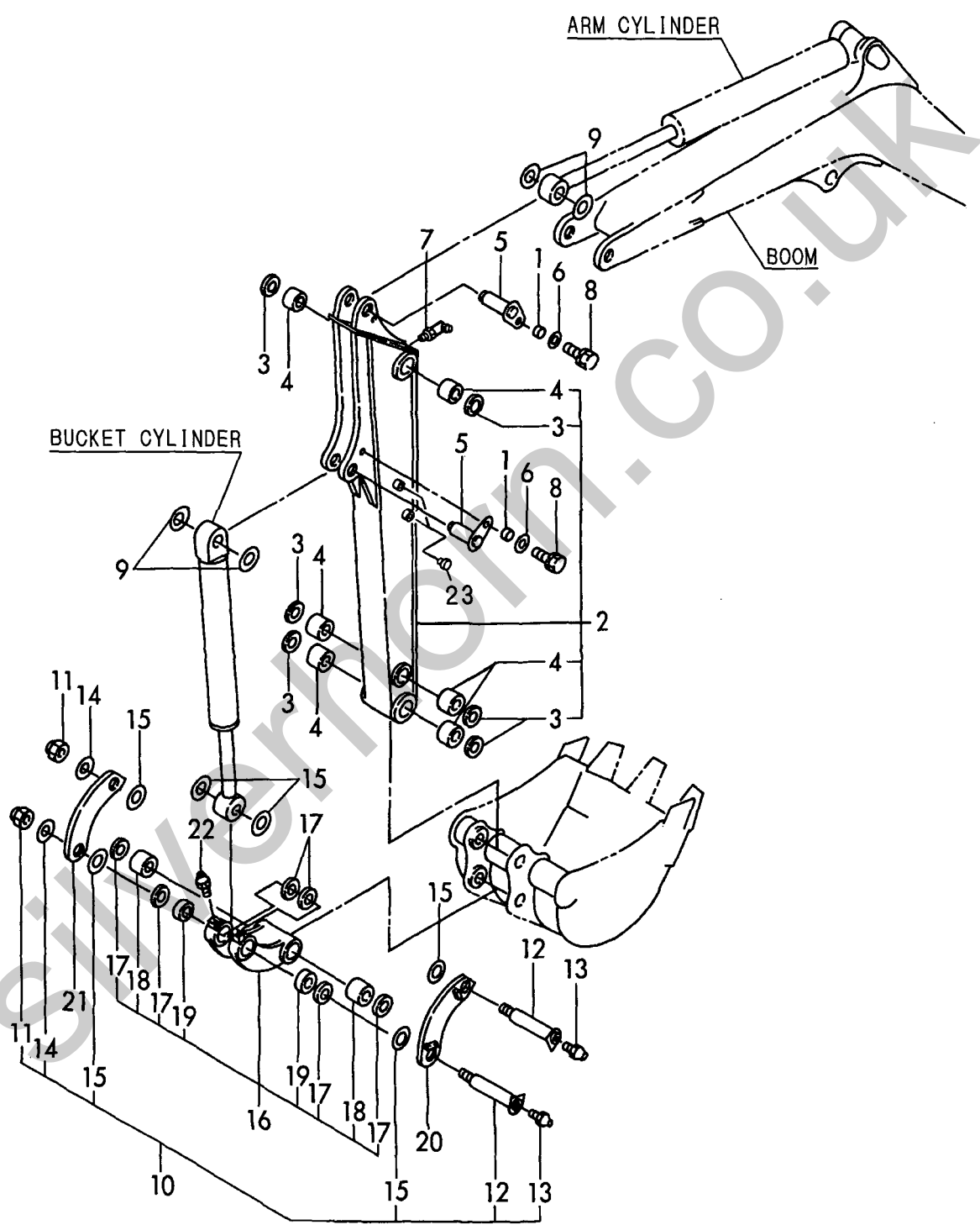
Fig. 46 BOOM & BOOM BRACKET



1,1,,172010-01640,,SPACER,2,,,,,,,,,,,,,
2,1,,172183-82101,,,"ARM 950 ASSY",1,,,,,,,,,,,,,
2-1,1,,172183-82101-1,,,"ARM 950 ASSY",1,,,,,S,,72438003,M/#02637,,,,,,,,,,,,,I
3,2,,172183-72290,,,"SEAL 38X48X 4, DUST",6,,,,,,,,,,,,,
4,2,,172137-81300,,,"BUSH 30X45, PIN",6,,,,,,,,,,,,,
5,1,,172137-94251-4,,,"PIN 30X76A",2,,,,,,,,,,,,,
5-1,1,,172137-94251-1,,,"PIN 30X76",2,,,,,S,,72438003,M/#02637,,,,,,,,,,,,,I
6,1,,22157-100000,,,"WASHER 10",2,,,,,,,,,,,,,
7,1,,24761-040000,,,"NIPPLE B,GREASE",1,,,,,,,,,,,,,
8,1,,26013-100252,,,"BOLT W/WASHER M10X25",2,,,,,,,,,,,,,
9,1,,933160-06711,,,"SHIM 30, PIN ADJUST",2,,,,,,,,,,,,,
10,1,,172149-99470-4,,,"KIT,ARM PIN",2,,,,,,,,,,,,,
10-1,1,,172149-99470-1,,,"KIT, ARM PIN",2,,,,,S,,72438003,M/#02637,,,,,,,,,,,,,I
11,2,,172137-81380,,,"NUT M16",2,,,,,,,,,,,,,
12,2,,172149-83200-4,,,"PIN 30X150 ASSY",2,,,,,,,,,,,,,
12-1,2,,172149-83200-1,,,"PIN 30X150
COMPL.",2,,,,,S,,72438003,M/#02637,,,,,,,,,,,,,I
13,2,,24761-020000,,,"NIPPLE PT1/8,GREASE",2,,,,,,,,,,,,,
14,2,,933147-08501,,,"WASHER 17X40X4.5",2,,,,,,,,,,,,,
15,2,,933160-06711,,,"SHIM 30, PIN ADJUST",4,,,,,,,,,,,,,
16,1,,172137-84403-4,,,"LINK,BUCKET",1,,,,,,,,,,,,,
16-1,1,,172137-84403-1,,,"LINK
COMP.,BUCKET",1,,,,,S,,72438003,M/#02637,,,,,,,,,,,,,I
17,2,,172183-72290,,,"SEAL 38X48X 4, DUST",6,,,,,,,,,,,,,
18,2,,172137-81300,,,"BUSH 30X45, PIN",2,,,,,,,,,,,,,
19,2,,172137-84451,,,"BUSH",2,,,,,,,,,,,,,
20,1,,172137-84502-4,,,"ARM(L), BUCKET",1,,,,,,,,,,,,,
20-1,1,,172137-84502-1,,,"ARM(L),BUCKET",1,,,,,S,,72438003,M/#02637,,,,,,,,,,,,,I
21,1,,172137-84512-4,,,"ARM(R), BUCKET",1,,,,,,,,,,,,,
21-1,1,,172137-84512-1,,,"ARM(R),BUCKET",1,,,,,S,,72438003,M/#02637,,,,,,,,,,,,,I
22,1,,24761-020000,,,"NIPPLE PT1/8,GREASE",2,,,,,,,,,,,,,
23,1,,172183-81160,,,"TREE CLIP",4,,,,,,,,,,,,,

Silverhorne.co.uk

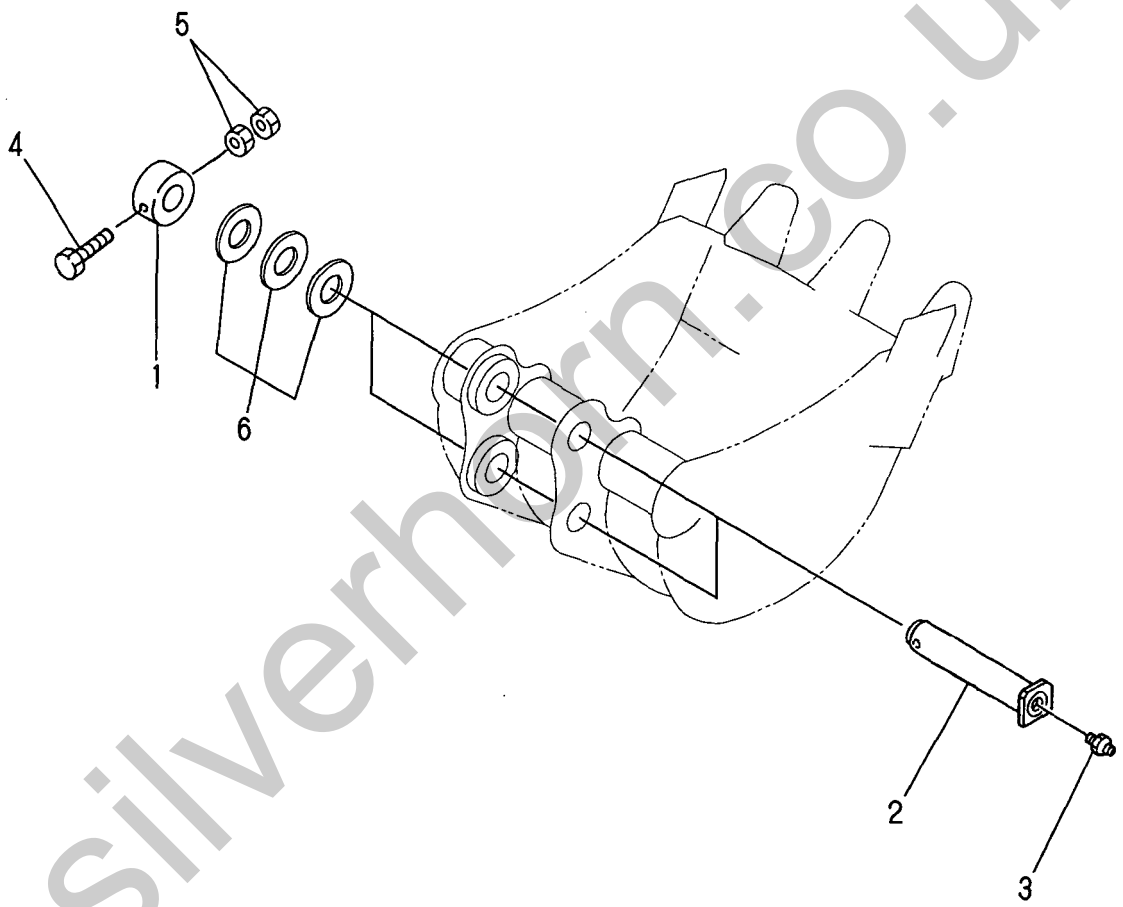
Fig. 47 ARM & BUCKET LINK



1,1,,172149-83220,, "COLLAR,SHIFT",2,,,,,,,,,,,,,,,,,,,,,
2,1,,172137-86251-4,, "PIN, BUCKET",2,,,,,,,,,,,,,,,,,,,,,
2-1,1,,172137-86251-1,, "PIN,BUCKET",2,,,,,,,,,S,,72438003,M/#02637,,,,,,,,,I
3,1,,24761-020000,, "NIPPLE PT1/8,GREASE",2,,,,,,,,,,,,,,,,,,,,,
4,1,,26116-100602,, "BOLT M10X 60 PLATED",2,,,,,,,,,,,,,,,,,,,,,
5,1,,26716-100002,, "NUT 10",4,,,,,,,,,,,,,,,,,,,,,,,,,,,,,
6,1,,933160-06710,, "SHIM 30, PIN ADJUST",2,,,,,,,,,,,,,,,,,,,,,

Silverhorn.CO.UK

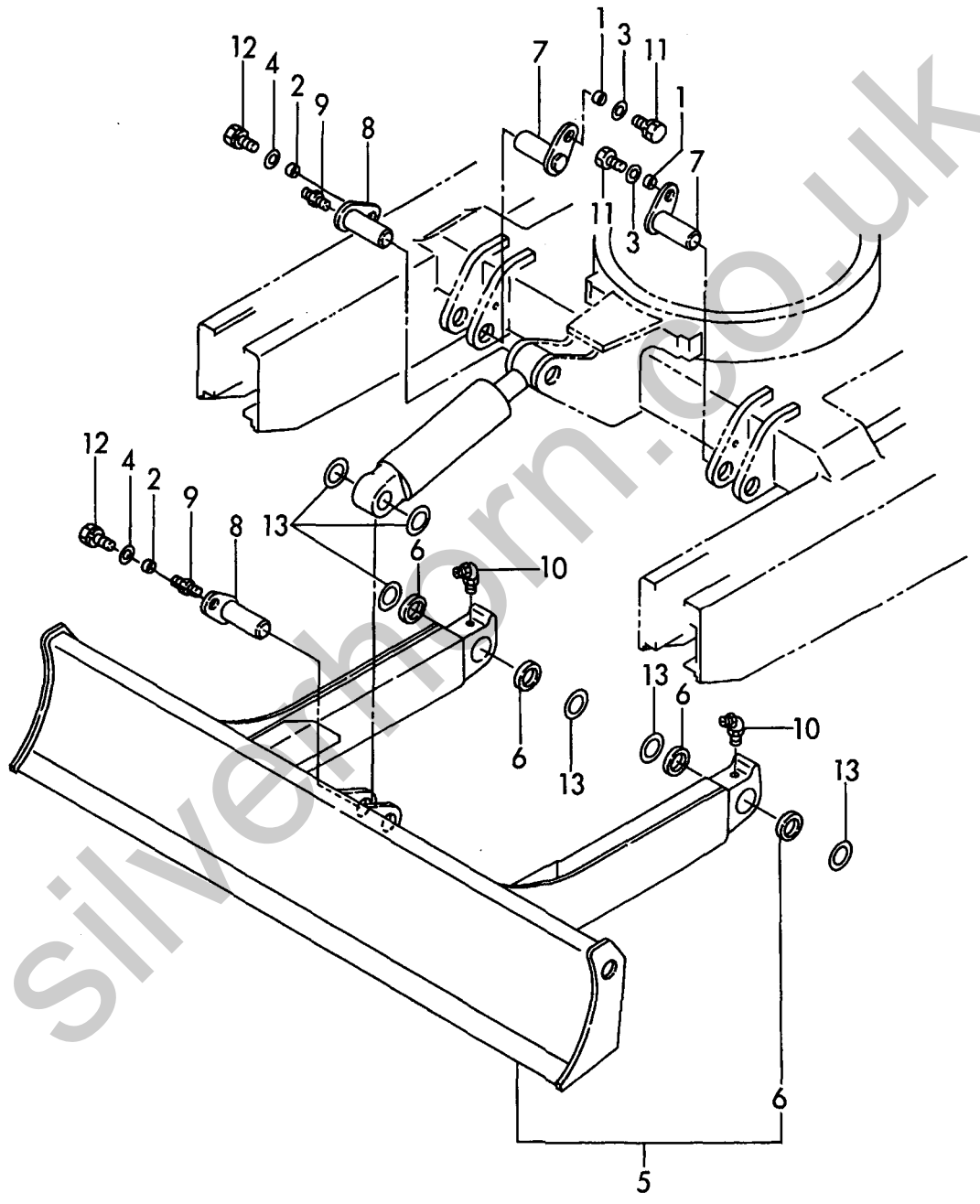
Fig. **48** BUCKET PIN



1,1,,172010-01640,,SPACER,2,,,,,,,,,,,,,,,,,,,,,
2,1,,172010-01640,,SPACER,2,,,,,,,,,,,,,,,,,,,,,
3,1,,172110-36010,,COLLAR,2,,,,,,,,,,,,,,,,,,,,,
4,1,,172110-36010,,COLLAR,2,,,,,,,,,,,,,,,,,,,,,
5,1,,172183-94100,, "BLADE COMPL.",1,,,,,,,,,,,,,
5-1,1,,172183-94100-1,, "BLADE COMPL.",1,,,,,S,,72183222,M/#02518,,,,,,I
5-2,1,,172183-94100-2,, "BLADE COMPL.",1,,,,,S,,72438003,M/#02637,,,,,,I
6,2,,172183-72290,, "SEAL 38X48X 4, DUST",4,,,,,,,,,,,,,
7,1,,172137-94251,, "PIN 30X76",2,,,,,,,,,,,,,
8,1,,172137-94271,, PIN,2,,,,,,,,,,,,,,,,,,,,,
9,1,,24761-020000,, "NIPPLE PT1/8,GREASE",2,,,,,,,,,,,,,
10,1,,24761-040000,, "NIPPLE B,GREASE",2,,,,,,,,,,,,,
11,1,,26013-100252,, "BOLT W/WASHER M10X25",2,,,,,,,,,,,,,
12,1,,26013-100252,, "BOLT W/WASHER M10X25",2,,,,,,,,,,,,,
13,1,,933160-06711,, "SHIM 30, PIN ADJUST",4,,,,,,,,,,,,,

Silverhorn.CO.UK

Fig. 49 BLADE



Y00S3641,"Construction equipment",Excavator,VIO
[Info]
PcNo=Y00S3641
PcName=VIO15(EP)(B5053)
JpnUse=0
JpnSec1=
JpnSec2=
JpnSec3=
JpnPreface=0
EngUse=1
EngSec1=CONSTRUCTION
EngSec2=EXCAVATOR (ViO)
EngSec3=VIO
EngPreface=1

Silverhorn.CO.UK

0,Y00S3641
1,001,, "VEHICLE VIO15(EP) "
2,1,, LABEL,VIO15(EP),,,
2,2,, "SAFETY LABEL",VIO15(EP),,,
2,3,, "SILENSER & AIR CLEANER",VIO15(EP),,,
2,4,, ACCELERATOR,VIO15(EP),,,
2,5,, "ENGINE MOUNT",VIO15(EP),,,
2,6,, "RADIATOR & MOUNT",VIO15(EP),,,
2,7,, "FUEL TANK & FUEL PIPE",VIO15(EP),,,
2,8,, BATTERY,VIO15(EP),,,
2,9,, "ELECTRIC PART",VIO15(EP),,,
2,10,, "WARK LAMP",VIO15(EP),,,
2,11,, "CRAWLER,ROLLER & ADJUST",VIO15(EP),,,
2,12,, "CONTROL EQUIPMENT(LINK STAND & ",VIO15(EP),,,
2,13,, "CONTROL EQUIPMENT(BOOM&BUCKET)",VIO15(EP),,,
2,14,, "CONTROL EQUIPMENT(ARM&TURNING)",VIO15(EP),,,
2,15,, "CONTROL EQUIPMENT(DRIVING&BLAD",VIO15(EP),,,
2,16,, "CONTROL EQUIPMENT(SWING)",VIO15(EP),,,
2,17,, "CONTROL EQUIPMENT(LOW-HIGH PED",VIO15(EP),,,
2,18,, "CONTROL EQUIPMENT(P.T.O.CONTRO",VIO15(EP),,,
2,19,, "FRAME & TURNING BEARING",VIO15(EP),,,
2,20,, "FRAME COVER",VIO15(EP),,,
2,21,, "STEP & TURNING LOCK PIN",VIO15(EP),,,
2,22,, "INSTRUMENT PANEL",VIO15(EP),,,
2,23,, BONNET,VIO15(EP),,,
2,24,, CANOPY,VIO15(EP),,,
2,25,, "HYD.OIL PUMP & JOINT",VIO15(EP),,,
2,26,, "BOOM CYLINDER",VIO15(EP),,,
2,27,, "ARM CYLINDER",VIO15(EP),,,
2,28,, "BUCKET CYLINDER",VIO15(EP),,,
2,29,, "SWING CYLONDER",VIO15(EP),,,
2,30,, "BLADE CYLINDER",VIO15(EP),,,
2,31,, "TRAVEL MOTOR",VIO15(EP),,,
2,32,, "TURNING MOTOR",VIO15(EP),,,
2,33,, "SWIVEL JOINT",VIO15(EP),,,
2,34,, "CONTROL VALVE",VIO15(EP),,,
2,35,, "LOW-HIGH VALVE",VIO15(EP),,,
2,36,, "HYD.OIL TANK",VIO15(EP),,,
2,37,, "HYD.OIL PIPING(TANK-PUMP-VALVE",VIO15(EP),,,
2,38,, "HYD.OIL PIPING(VALVE-MOTOR,BOO",VIO15(EP),,,
2,39,, "HYD.OIL PIPING(VALVE-SWIVEL,SW",VIO15(EP),,,
2,40,, "HYD.OIL PIPING(RETURN)",VIO15(EP),,,
2,41,, "HYD.OIL PIPING(P.T.O.VALVE-BOO",VIO15(EP),,,
2,42,, "HYD.OIL PIPING(TRAVEL)",VIO15(EP),,,
2,43,, "HYD.OIL PIPING(BOOM)",VIO15(EP),,,
2,44,, "HYD.OIL PIPING(P.T.O.ARM END)",VIO15(EP),,,
2,45,, GREASING,VIO15(EP),,,
2,46,, "BOOM & BOOM BRACKET",VIO15(EP),,,
2,47,, "ARM & BUCKET LINK",VIO15(EP),,,
2,48,, "BUCKET PIN",VIO15(EP),,,
2,49,, BLADE,VIO15(EP),,,